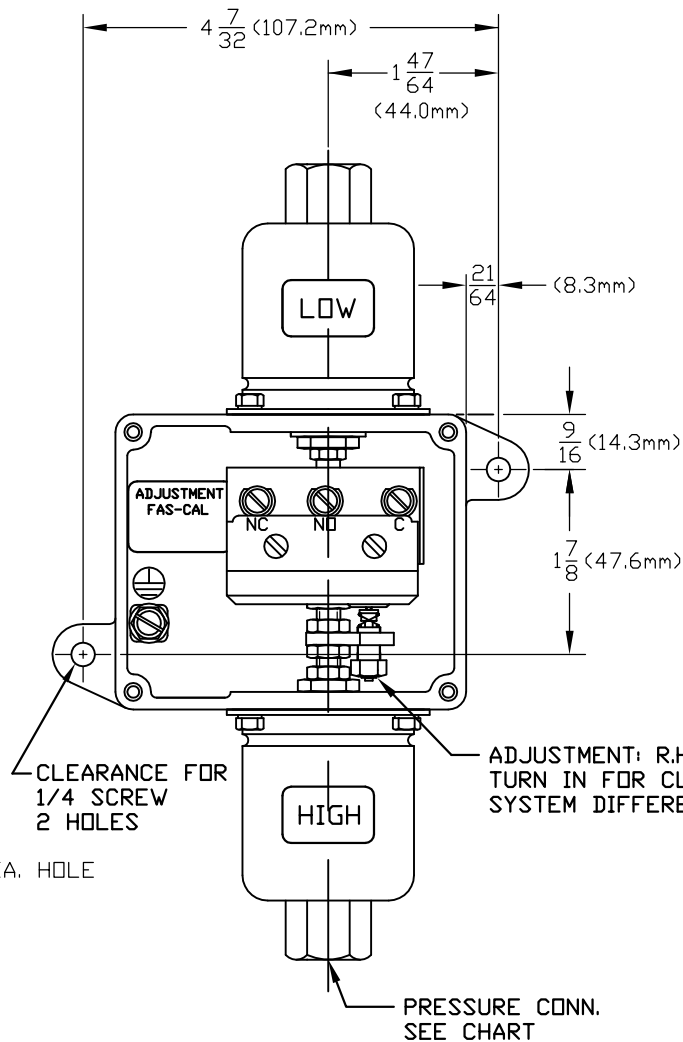
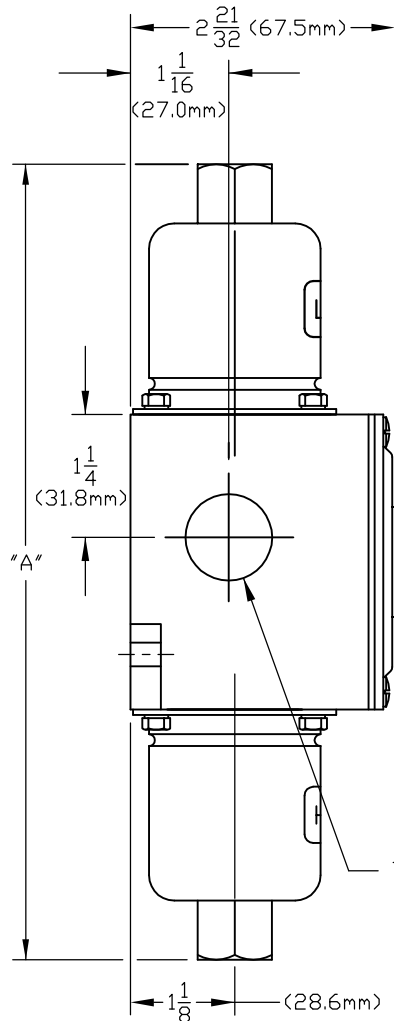


U.L. LISTED.



COVER REMOVED IN FRONT VIEW.

16021	0 to 15	0 to 1	8.86	225.0	1/2NPT	ST/ST
16020	0 to 15	0 to 1	8.06	204.7	1/4NPT	BRASS
S150B	0 to 40	0 to 2.8	8.86	225.0	1/2NPT	ST/ST
S140B	0 to 6	0 to 413.7 mbar	8.86	225.0	1/2NPT	ST/ST
150	0 to 40	0 to 2.8	8.06	204.7	1/4NPT	BRASS
140	0 to 6	0 to 413.7 mbar	8.06	204.7	1/4NPT	BRASS
MODEL NO.	psi	bar	in.	mm	PRESS. CONN.	MAT'L.
	ADJUSTABLE RANGE		DIM. "A"			

SYM	DESCRIPTION	DATE	DWN	APPD
AE	DIMENSION "A" IN TABLE REVISED: 1 DECIMAL PLACE RMVD ON "mm" COL. MOD #16020 WAS 8.86" ECN#E3894	1-24-11	RCI	LK
AD	REDRAWN. ADDED MODELS: J21K-16020 & -16021. ECN#E3605	5-6-10	SR	RAM
REVISIONS				

ORIGINAL DATE	3-8-65
DRWN	C.M.SALVO
CHKD	A.BARTER
APPD	A.BARTER
UNLESS OTHERWISE SPECIFIED DIMENSIONS ARE IN INCHES	
DO NOT SCALE THIS DRAWING	

TITLE	J21K
SCALE	HALF

DF001D
UE
UNITED ELECTRIC CONTROLS COMPANY WATERTOWN * MASSACHUSETTS
DWG NO A-9704