

2" (DN 50) 6RA3 TOP-LOADING AND UNLOADING FULL-PORT ANGLE BALL VALVES FOR TANK CAR APPLICATIONS (AAR NO. E079028)

DESCRIPTION

A full-port ball valve, the 6RA3 is designed for top loading and unloading of tank cars.

These ball valves offer the advantages of quick quarter-turn operation, long service life, and easy cycling. They are much faster to operate than multi-turn types of valves. In addition, they are easy to cycle even after being set in one position for extended periods.

UNIQUE SEALING

The superior performance of JAMESBURY® tank car ball valves is achieved by the unique design of the seat. The flexible-lip PTFE seats exert continuous sealing pressure on the ball. The seat automatically compensates for wear and for changes in temperature and pressure.

In addition, these valves are designed to withstand the demanding service requirements of the railroad industry.

In JAMESBURY's "corner sealing" of the stem, the compression of low-friction box rings tops stem leakage by avoiding straight-line leakage paths. Stem seal adjustment, if required, is done simply by tightening the packing unit.

MATERIALS

6RA3 valves are available in carbon steel with 316 stainless steel trim and all 316 stainless steel. Other materials are available for special applications.

FIRE-TITE® DESIGN

All JAMESBURY tank car ball valves have the JAMESBURY FIRE-TITE design. In the event of a fire resulting in partial or complete destruction of the PTFE seats, a secondary metal sealing surface provides continuous effective shutoff.



FLOW DATA

The 2" (DN 50) 6RA3 has an installed C_v value of 150. C_v is defined as the flow of water at 60°F through the valve in U.S. gallons per minute at a pressure drop of 1 psi (.07 bar). This C_v value is an estimate of the installed flow capacity and considers typical inlet losses. The metric equivalent, K_v , is the flow of water at 16°C through the valve in M^3/hr at a pressure drop of 1 kg/cm. To convert C_v to K_v , multiply by 0.8569.

RATINGS

6RA3 valves are rated for pressures and temperatures well in excess of those that are normally encountered in tank car service. Carbon steel valves are rated from -20°F to +500°F (-29°C to +260°C). 316 stainless-steel valves are rated from -60°F to +500°F (-51°C to +260°C). The pressure rating is 600 psi (41 bar) at ambient temperature.

SERVICE

Representative stocks of 6RA3 valves are maintained by JAMESBURY's network of authorized stocking distributors located in key areas of the United States and Canada. They will be happy to assist you in the selection of the most cost-effective valve for your application. Visit our website at www.metso.com/automation.

DIMENSIONS

2" (DN 50) 6RA3 Top-Loading and Unloading Full-Port Angle Ball Valves – inches (mm)

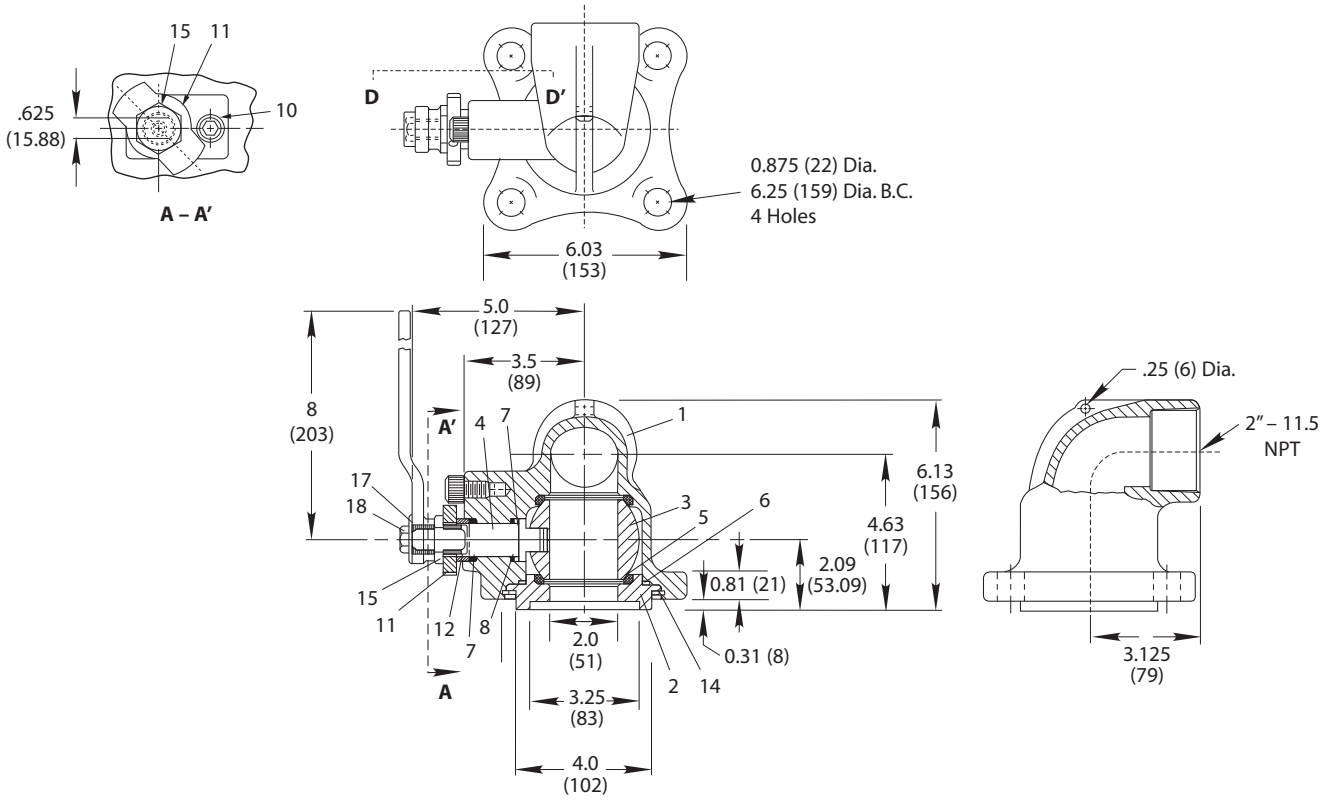


Figure 1

BILL OF MATERIAL AND PARTS LIST			
Part Number	Part Name	Carbon Steel with 316 Stainless Steel Trim (2236)	316 Stainless Steel (3600)
1	Body	Carbon Steel ASTM A216 Type WCB	316 Stainless steel ASTM A351 Type CF8M
2	Body Insert	Carbon steel	316 Stainless steel
3	Ball	316 Stainless steel	
4	Stem	316 Stainless steel	
5	Seat	PTFE	
6	Body Seal	Spiral wound 316 Stainless steel and PTFE	
7	Stem Seal	PTFE or Filled PTFE	
8	Secondary Stem Seal	Graphite	
10	Stop Screw	Stainless steel	
11	Indicator Stop	Carbon steel	Stainless steel
12	Compression Ring	Stainless steel	
13	Handle	Carbon steel	
14	Spirolox Ring	Carbon steel	Stainless steel
15	Stem Nut	Carbon steel	
17	Washer	Carbon steel	
18	Hex Head Cap Screw	Carbon steel	
19	Identification Tag	Stainless steel	
20	Drive Screw	Stainless steel	

* Optional trim materials offered upon request.

HOW TO ORDER 6RA3 BALL VALVES

To specify one of these valves, it is necessary only to select the proper body and seat material to meet a particular service requirement. All other components are of materials appropriate for the most severe conditions.

The catalog designations below fully describe a valve, identifying body, trim, seat, and seal materials. The codes are:

Carbon steel body with 316 Stainless steel trim:

2" (DN 50) 6RA3-2236 TT

316 Stainless steel body and trim:

2" (DN 50) 6RA3-3600 TT

For filled PTFE seats, simply substitute MT or TT.

To order a Service Kit for these valves, specify RKN79 TT or MT.

Subject to change without prior notice.

Metso Automation Inc.

Europe, Levytie 6, P.O. Box 310, 00811 Helsinki, Finland.
Tel. +358 20 483 150. Fax +358 20 483 151

North America, 44 Bowditch Drive, P.O. Box 8044, Shrewsbury, MA 01545, USA.
Tel. +1 508 852 0200. Fax +1 508 852 8172

Europe, 6-8 rue du Maine, 68271 Wittenheim Cedex, France.
Tel. +33 (0)3 89 50 64 00. Fax +33 (0)3 89 50 64 40

South America, Av. Independência, 2500- Iporanga, 18087-101, Sorocaba-São Paulo
Brazil. Tel. +55 15 2102 9700. Fax +55 15 2102 9748/49

Asia Pacific, 238A Thomson Road, #25-09 Novena Square Tower A, 307684 Singapore.
Tel. +65 6511 1011. Fax +65 6250 0830

China, 19/F, the Exchange Beijing, No. 118, Jianguo Lu Yi, Chaoyang Dist, 100022 Beijing, China.
Tel. +86-10-6566-6600. Fax +86-10-6566-2575

Middle East, Roundabout 8, Unit AB-07, P.O. Box 17175, Jebel Ali Freezone, Dubai,
United Arab Emirates. Tel. +971 4 883 6974. Fax +971 4 883 6836

www.metso.com/automation

