

EDS Heavy Duty Disconnect Switches

Explosionproof, Dust-Ignitionproof

30, 60, 100, and 200 Ampere Units for 600 Vac Maximum. UNILETS™ for Use with Threaded Metal Conduit.

NEC:

Class I, Division 1 and 2, Groups B, C, D
Class II, Division 1 and 2, Groups E, F, G
Class III
NEMA 3R, 4^Y, 4X^Y, 7BCD, 9EFG

CEC

Class I, Division 1 and 2, Groups B, C, D
Class II, Division 1 and 2, Groups E, F, G
Class III
NEMA 4^Y, 4X^Y, 7BCD, 9EFG

Applications

- Functions as load disconnect switch or as individual motor control switch.

Features

- 600 Vac 3-pole, non-fused motor circuit switch; available in four sizes from 30 to 100 Amp. For 200 Amp, please contact your local sales representative.
- Hinged, removable cover provides instant access for installation and servicing.
- Self-locating, spring-mounted internal handle actuator.
- Rugged handle has stainless steel shaft within a stainless steel bushing; may be locked in ON or OFF position.
- Removable mounting plate simplifies installation.
- Top and bottom standard feed-thru conduit openings. Removable reducer bushing furnished with each opening.
- Additional top and bottom openings for drain and breather; supplied with close-up plugs.
- Covers have captive, slotted, stainless steel screws to prevent “freezing.”
- Insulated neutral lug supplied as standard.

Standard Materials

- Body and cover: copperfree (4/10 of 1% max.) aluminum
- Handle shaft, bushing, exposed hardware: stainless steel

Standard Finishes

- Exterior surfaces: epoxy powder coat

Options

Must be listed in alphanumeric sequence at the end of the catalog number.

- Auxiliary switch (1NO, 1NC) add suffix **-AUX**.
- Auxiliary switch (2NO, 2NC) add suffix **-AUX2**.
- Drain and breather set add suffix **-DV**.
- NEMA 4, 4X add suffix **-N4**.

NEC/CEC Certifications and Compliances

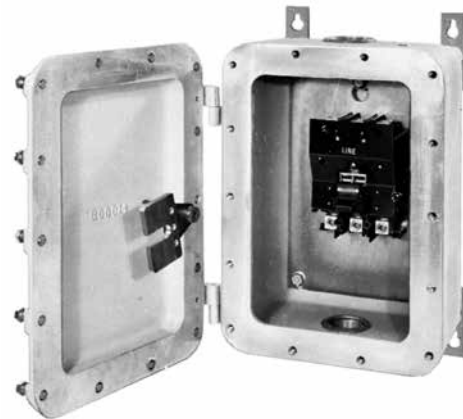
- UL Standard: UL 894, UL 1203
- UL Listed: E10557
- CSA Standard: C22.2 No. 4, C22.2 No. 25, C22.2 No.30
- CSA Certified: 039569



EDS3036



EDS6036



APPLETON™

DISTRIBUTION EQUIPMENT: NEC/CEC HAZARDOUS LOCATION SWITCHES

▼ Add suffix **N4** for NEMA 4, 4X rating (UL NEMA 4, 4X version is not suitable for Group B, CSA NEMA 4, 4X version is suitable for Group B).


EDS Heavy Duty Disconnect Switches

Explosionproof, Dust-Ignitionproof

30, 60, 100, and 200 Ampere Units for 600 Vac Maximum. UNILETS™ for Use with Threaded Metal Conduit.

NEC:
Class I, Division 1 and 2, Groups B, C, D
Class II, Division 1 and 2, Groups E, F, G
Class III
NEMA 3R, 4⁺, 4X⁺, 7BCD, 9EFG

CEC
Class I, Division 1 and 2, Groups B, C, D
Class II, Division 1 and 2, Groups E, F, G
Class III
NEMA 4⁺, 4X⁺, 7BCD, 9EFG

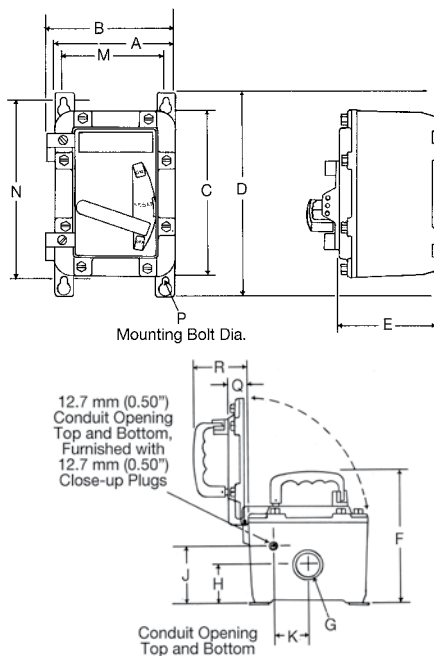
	Number of Poles	Volts	Ampere	Conduit Opening (Inches)	Catalog Number	
					NEC	CEC
 <p>Bolt-On</p>	3	600 Vac	30	1-1/2	EDS3036	EDS3036CN
	3	600 Vac	60	2	EDS6036	EDS6036CN
	3	600 Vac	100	2	EDS1036	EDS1036CN

Supplied with Cutler-Hammer⁺ disconnect switch.

Electrical Ratings Maximum Motor HP

Maximum Amps	Maximum Horsepower Rating				
	120 Vac	240 Vac	480 Vac	600 Vac	250 Vdc
30	5	10	20	25	7-1/2
60	10	20	40	60	15
100	15	30	75	75	25

Dimensions



Dimension	Dimensions in Millimeters (Inches)	
	EDS3036	EDS6036/EDS1036
A	231.9 (9.13)	231.9 (9.13)
B	244.6 (9.63)	244.6 (9.63)
C ①	358.9 (14.13)	358.9 (14.13)
D	425.5 (16.75)	425.5 (16.75)
E	184.2 (7.25)	184.2 (7.25)
F	244.6 (9.63)	244.6 (9.63)
G ②	38.1 (1.50)	50.8 (2.00)
H	69.9 (2.75)	69.9 (2.75)
J	95.3 (3.75)	95.3 (3.75)
K	69.9 (2.75)	69.9 (2.75)
M	190 (5 7.5)	190 (5 7.5)
N	384.3 (15.13)	384.3 (15.13)
P	9.7 (0.38)	9.7 (0.38)
Q	44.5 (1.75)	44.5 (1.75)
R	104.8 (4.13)	104.8 (4.13)

① For drains and breathers, add 50.8 mm (2") to dimension C. Close-up plugs furnished when enclosures are ordered without drains and breathers.

② Conduit openings are tapped to size shown. A removable reducer bushing is furnished for each opening which, when installed, makes the conduit opening one size smaller.

▼ Add suffix **N4** for NEMA 4, 4X rating (UL NEMA 4, 4X version is not suitable for Group B, CSA NEMA 4, 4X version is suitable for Group B).

+ Cutler-Hammer is a registered trademark of Eaton Corporation.