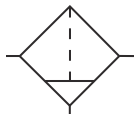
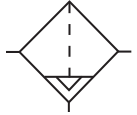


# Filter – Standard SF2

= "Most Popular"



Manual Drain



Auto Drain

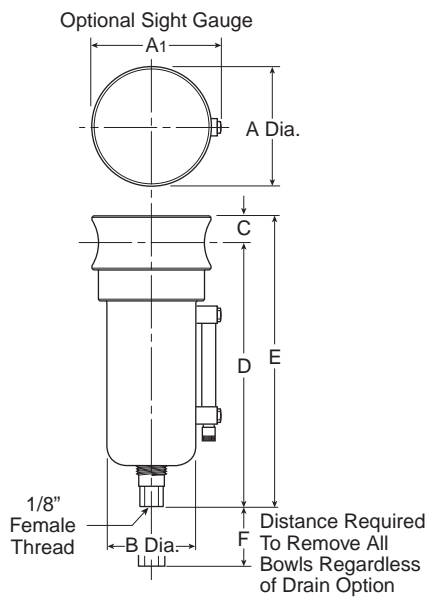


SF2-04-SLV0

## Features

- Stainless Steel Construction Handles Most Corrosive Environments
- Meets NACE Specifications MR-01-75/ISO 15156
- 1/8" Female Threaded Drain
- High Flow: 1/2" - 70 SCFM<sup>§</sup>

<sup>§</sup> SCFM = Standard cubic feet per minute at 90 PSIG inlet and 5 PSIG pressure drop.



## Dimensions

Models	Inches (mm)	A	A1	B	C	D	E	F
Miniature Unit SF2-04-XXXX		2.38 (60)	2.50 (64)	1.75 (44)	0.56 (14)	5.00 (127)	5.56 (141)	2.12 (54)

## Specifications

Flow Capacity*	Port Size	5 Micron
	1/2	70 SCFM
Bowl Capacity		4.0 Ounces
Filter Rating		5 Micron
Port Threads		1/2 Inch
Pressure & Temperature Ratings –		
Metal Bowl –		0 to 300 PSIG (0 to 20.7 bar) 0°F to 180°F (-18°C to 82°C)
Metal Bowl with Sight Gauge –		0 to 250 PSIG (0 to 17.2 bar) 0°F to 150°F (-18°C to 66°C)
Automatic Float Drain –		0 to 175 PSIG (0 to 12 bar) 32°F to 150°F (0°C to 66°C)

**Note: Air must be dry enough to avoid ice formation at temperatures below 32°F (0°C).**

Useful Retention**	1.7 Ounce
Weight	1.9 lb. (0.85 kg)

\* Inlet pressure 90 PSIG (6.2 bar) and 5 PSID (0.3 bar) pressure drop.

\*\* Useful Retention refers to volume below the quiet zone baffle.

## Materials of Construction

Body	316 Stainless Steel
Bowl	316 Stainless Steel
Deflector	Acetal
Drain	316 Stainless Steel
Element Holder	Acetal
Filter Element	Polyethylene
Seals	Fluorocarbon
Sight Gauge	Isoplast

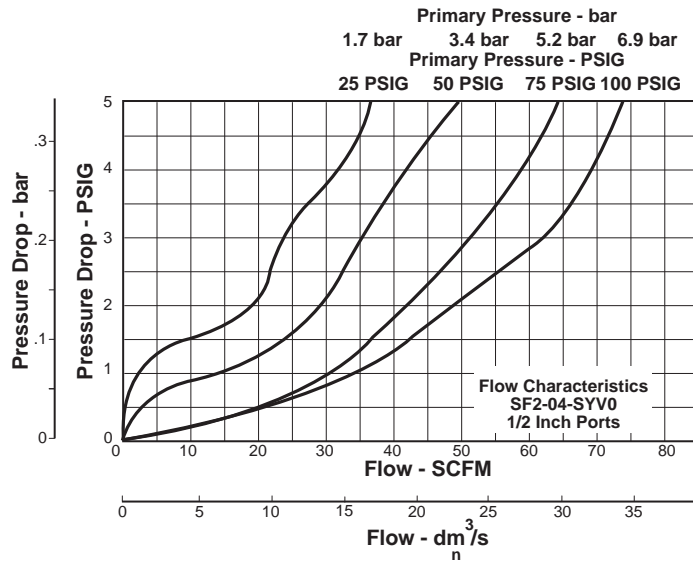


Stainless Steel Products

= "Most Popular"

### SF2 Filter Kits & Accessories

- Drain Kit –
  - Automatic Drain ..... SRP-96-027
- Manual Drain –
  - Small (Old) ..... SRP-96-008
  - Large (New) ..... SAP05481
- Filter Element Kits –
  - Particulate (40 Micron) ..... SRP-96-024
  - Particulate (5 Micron) ..... SRP-96-023
- Liquid Level Sight Gauge Kit ..... SRP-96-026
- Pipe Nipple – 1/2" 316 Stainless Steel ..... SRP-96-010



**W**  
 Stainless Steel Products

### Ordering Information

Model Type	Port Size	Model Number	Model Number
Manual Drain	1/2	SF2-04-SLV0	—
Automatic Drain	1/2	—	SF2-04-SHV0

Options - To order an option supplied with the unit model, add the appropriate coded suffix letter in the designated position of the model number.