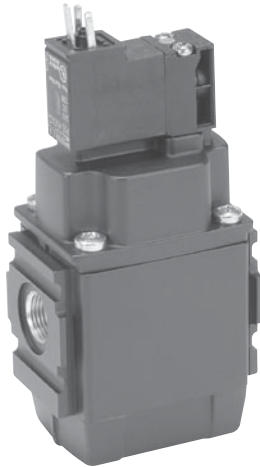


## E09 Series

### Combined Soft Start Dump Valve and Remote Operated Dump Valve

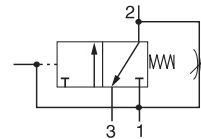


Wilkerson E09 Series Combined Soft Start/Dump Valves, provide for the safe introduction of pressure to machines or systems. Soft Start/Dump Valves when set, allow the pressure to gradually build to the set point before fully opening to deliver full flow at line pressure.

The controlled introduction of pressure can be an important safety factor and prevent damage to tooling when air pressure is introduced at machine or system start up.

To maintain these units in the open position a pilot supply to the air pilot operated version or an electrical signal to the solenoid operated version must be maintained. The valve will automatically dump when the holding signal is removed.

### Symbols



- Modular design with 1/4" (BSPT or NPT)
- Provides for the safe introduction of pressure
- The 3-Way, 2-Position function automatically dumps downstream pressure on the loss of pilot signal
- The Allen key adjusts flow through the valve until the set point is reached, after which full pressure is achieved.
- Solenoid or air pilot options
- High flow & exhaust capability
- Soft Start/Quick Dump Valve should be placed downstream of filter, regulator, and lubricator.
- Filter, regulator and lubricator will prevent quick dump from functioning correctly if after valve.

### Compact combined soft start dump valve

Port size	Description	Order Code	Flow dm <sup>3</sup> /s (scfm)	Max bar (psi)	Height mm (inches)	Width mm (inches)	Depth mm (inches)	Weight kg (lbs)
1/4	24VDC Solenoid & cable plug	E09-02-EC00	17 (36)	10 (150)	166* (6.5)	57 (2.2)	40 (1.5)	0.41 (0.9)
1/4	120VAC Solenoid & cable plug	E09-02-ED00	17 (36)	10 (150)	166* (6.5)	57 (2.2)	40 (1.5)	0.41 (0.9)
1/4	Air pilot operated	E09-02-A000	17 (36)	17 (250)	115.6 (4.5)	57 (2.2)	40 (1.5)	0.37 (0.8)

\* Includes exhaust silencer. Flow with 6.3 bar inlet and 1 bar pressure drop.

### Technical Information

Fluid:	Compressed air
Max pressure Solenoid operated:	10 bar (150 psi)
Max pressure Air Pilot operated:	17 bar (250 psi)
Min operating pressure:	3 bar (44 psi)
Temperature max* Solenoid operated:	50° C (122° F)
Temperature max* Air Pilot operated:	80° C (176° F)
Air Pilot port:	1/8"
Exhaust port:	1/4"

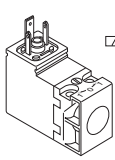
Typical flow with 6.3bar inlet pressure and 1 bar pressure drop: 17 dm<sup>3</sup>/s (36 scfm)

\* Air supply must be dry enough to avoid ice formation at temperatures below +2°C  
Snap pressure: Full flow when downstream pressure reaches 50% of the inlet pressure

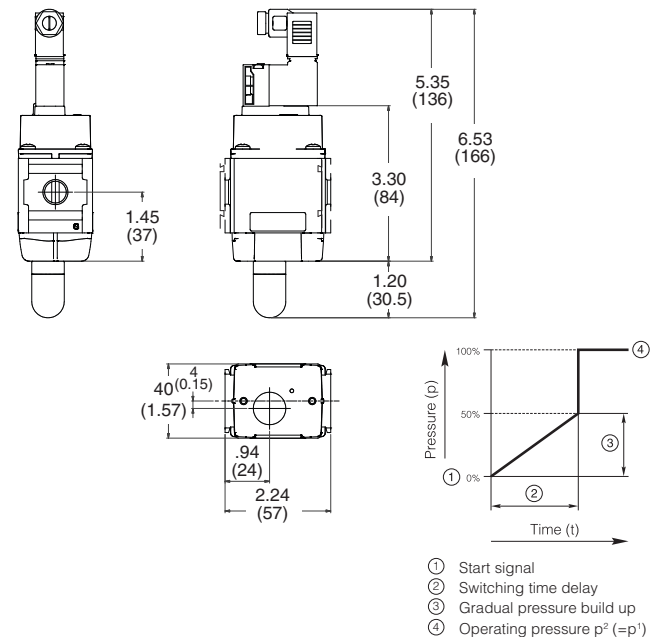
### Material Specification

Body:	Aluminum
Body cover:	Polyester
Seals:	Nitrile NBR

### Solenoids 15mm NC, standard flow DIN 1.2W / 1.6 VA

	Voltage	Weight g	Order code
	12 VDC	38	P2E-KV32B1
	24 VDC	38	P2E-KV32C1
	115 VAC 50 Hz/	38	P2E-KV31F1
	120 VAC 60 Hz		
	230 VAC 50 Hz/	38	P2E-KV31J1
	240 VAC 60 Hz		

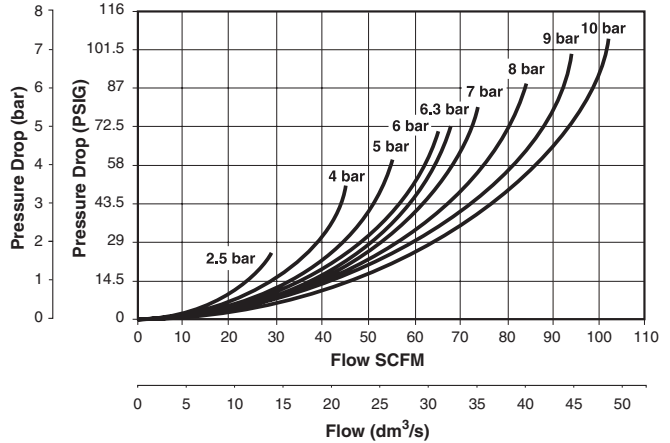
### Dimensions E09



Dimensions are in inches (mm)

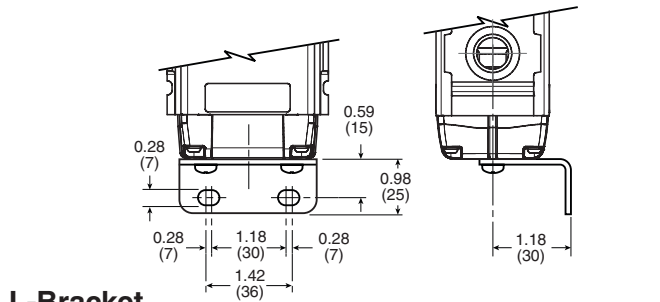
### Flow characteristics

#### 1/4 Soft Start & Dump Valve

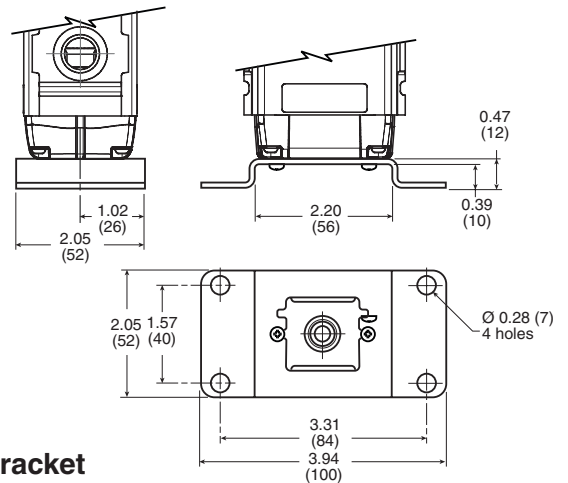


### Mounting Brackets

Description	Order code
L-Bracket mounting kit	P3HKA00ML
Foot bracket mounting kit	P3HKA00MC



#### L-Bracket



#### Foot Bracket

### Safety Guide

For more complete information on recommended application guidelines, see the Safety Guide section of Pneumatic Division catalogs or you can download the **Pneumatic Division Safety Guide** at: [www.wilkinsoncorp.com](http://www.wilkinsoncorp.com)