

ATX™ PRE Series 32 Amp Plugs and Sockets

Increased Safety

ATEX/IECEX:
Zone 1 and 2 - 21 and 22
 Ⓜ II 2 GD
 IP66 - IK10

Applications

- Plugs and sockets are used with portable or stationery electrical equipment such as:
 - Lighting systems
 - Conveyors
 - Heaters
 - Motor generators
 - Air conditioning equipment
 - Compressors
 - Pumps
- For use in corrosive atmospheres and installations in Zone 1 and 2 and 21 and 22 of the oil and gas industry, such as:
 - Refineries
 - Chemical and petrochemical plants
 - Pipelines
 - Loading docks
 - Onshore and offshore drilling platforms

Features

- Plug and socket system is designed with a safe disconnect mechanism to insure maximum hazardous location protection:
 - The contact separation is in a flameproof chamber
 - The automatic electrical disconnection of each phase is contained in a second flameproof chamber
- Short circuit protection is 20 kA, while normal reference is 10 kA.
- Different voltages are color coded for easy identification.
- The sockets are keyed to accept only ATX plugs (other plugs can not be inserted).
- ATX plugs can be used in non-hazardous sockets.

Standard Materials

- Wall Socket: high impact resistance fiberglass reinforced polyester
- Plug, mobile socket and flush socket: polyamide

ATEX/IECEX Certifications and Compliances

- Certification Type PCX (Plug, socket and mobile socket)
 - Gas: Zones 1 and 2
 - Conforming to ATEX 94/9/CE: Ⓜ II 2 G
 - Type of Protection: Ex de IIC
 - Temperature Class: T6 for Ta ≤ +40 °C (-40 °F) and T5 for +55 °C (+131 °F)
 - Dust: Zones 21 and 22
 - Conforming to ATEX 94/9/CE: Ⓜ II 2 D
 - Type of Protection: Ex tD A21
 - Surface Temperature: T68 °C (T154 °F)
 - Index of Protection according EN/IEC 60529: IP66
 - Impact Resistance (shock): IK10 (Polyester) and IK09 (Polyamide)
 - CE Declaration of Conformity: 50228
 - ATEX Certificate: LCIE 02 ATEX 6068
 - IECEx Certificate: IECEx LCI 04.0014
- Certification Type PCX/EN (Flush socket)
 - Gas: Zones 1 and 2
 - Conforming to ATEX 94/9/CE: Ⓜ II 2 G
 - Type of Protection: Ex de IIC
 - Temperature Class: T6 for Ta ≤ +40 °C (-40 °F) and T5 for +55 °C (+131 °F)

LV: Low Voltage



Plug



Wall Mounting Socket



Mobile Socket



Flush Socket

Technical Data

	Breaking Capacity
AC 1	32 A – 500 V 11 kW – 220 V
AC 22	12 kW – 240 V 19 kW – 380 V 20.7 kW – 415 V
ICC	20 kA

- Dust: Zones 21 and 22
 - Conforming to ATEX 94/9/CE: Ⓜ II 2 D
 - Type of Protection: Ex tD A21
 - Surface Temperature: T68 °C (T154 °F)
 - Impact Resistance (shock): IK09 (Polyamide)
 - CE Declaration of Conformity: 5C214
 - ATEX Certificate: LCIE 02 ATEX 0001U
 - IECEx Certificate: IECEx LCI 07.0012U
- Ambient Temperature: -40 °C ≤ Ta ≤ +55 °C (-40 °F ≤ Ta ≤ +131 °F)
- Index of Protection according EN/IEC 60529: IP66

EURASEC Certification

- Certification Type PCX (Plug, socket and mobile socket)
 - EURASEC N° TC RU C-FR.Г505.В.00910
- Certification Type PCX/EN (Flush socket)
 - EURASEC N° TC RU C-FR.Г505.В.00910

Other Certification

- Certification Type PCX (Plug, socket and mobile socket)
 - INMETRO Certificate: BVC11.0639 ①
- Certification Type PCX/EN (Flush socket)
 - INMETRO Certificate: BVC11.0598-U ①

PLUGS AND RECEPTACLES: ATEX/IECEX INCREASED SAFETY



① INMETRO certification available on special request only. Contact your local sales representative for more information.

ATX™ PRE Series 32 Amp Plugs and Sockets

Increased Safety

ATEX/IECEX:
 Zone 1 and 2 - 21 and 22
 II 2 GD
 IP66 - IK10



Wall Mounting Socket

- Three M25 threaded entries (one on the top and two on the bottom).
- Supplied with one M25 cable gland – Ø 8 to Ø 18.5 mm (Ø 0.31 to Ø 0.73”) and two M25 blanking plugs.
- Terminal capacity 2 x 6 mm² (0.003 x 0.009 in²).
- Fitted with three linked earth terminals.



Plug

- One PG21 integrated cable gland – Ø 8 to Ø 18.5 mm (Ø 0.31 to Ø 0.73”) for 3P+N+E versions.
- Terminal capacity 6 mm² (0.009 in²).



Mobile Socket

- One PG21 integrated cable gland – Ø 8 to Ø 18.5 mm (Ø 0.31 to Ø 0.73”) for 2P+E and 3P+E versions.
- One PG29 integrated cable gland – Ø 18 to Ø 25 mm (Ø 0.70 to Ø 0.98”) for 3P+N+E versions.
- Terminal capacity 2 x 6 mm² (0.003 x 0.009 in²).



Flush Socket

- Terminal capacity 2 x 6 mm² (0.003 x 0.009 in²)

PLUGS AND RECEPTACLES: ATEX/IECEX INCREASED SAFETY

Catalog Numbering Guide – IECEX Internationally Certified Plugs and Receptacles

PRE
 |
 IECEX Series:
 PRE - PRE Series
 Zone 1, 2, 21 and 22
 ATEX / IECEX Certified

3
 |
 Pin Configuration:
 3 - 2P+E
 4 - 3P+E
 5 - 3P+N+E

32
 |
 Amps:
 32 - 32A

R
 |
 Equipment:
 P - Plug
 R - Receptacle
 (Wall Mounting)
 M - Mobile Socket
 F - Flush Socket

P
 |
 Voltage:
 Y - 100 - 130 Vac
 50/60 Hz
 B - 200 - 250 Vac
 50/60 Hz
 R - 380 - 415 Vac
 50/60 Hz
 N - 480 - 500 Vac
 50/60 Hz

LV: Low Voltage

Yellow	Blue	Red	Black
100/130 Vac	200/250 Vac	380/415 Vac	480/500 Vac



ATX™ PRE Series 32 Amp Low Voltage Plugs and Sockets

Increased Safety

ATEX/IECEX:
 Zone 1 and 2 - 21 and 22
 II 2 GD
 IP66 - IK10

Description	Pin Configuration	Weight kg (lb)	Volume dm ³ (in ³)	Catalog Number
100/130 Vac 50/60 Hz — Yellow				
Wall Socket		1.9 (4.19)	7.0 (427.17)	PRE332RY
Plug		0.5 (1.10)	4.0 (244.09)	PRE332PY
Mobile Socket		0.8 (1.76)	3.2 (195.28)	PRE332MY
Flush Socket		0.6 (1.32)	2.7 (164.76)	PRE332FY
200/250 Vac 50/60 Hz — Blue				
Wall Socket		1.9 (4.19)	7.0 (427.17)	PRE332RB
Plug		0.5 (1.10)	4.0 (244.09)	PRE332PB
Mobile Socket		0.8 (1.76)	3.2 (195.28)	PRE332MB
Flush Socket		0.6 (1.32)	2.7 (164.76)	PRE332FB
Wall Socket		1.9 (4.19)	7.0 (427.17)	PRE432RB
Plug		0.5 (1.10)	4.0 (244.09)	PRE432PB
Mobile Socket		0.8 (1.76)	3.2 (195.28)	PRE432MB
Flush Socket		0.6 (1.32)	2.7 (164.76)	PRE432FB
Wall Socket		1.9 (4.19)	7.0 (427.17)	PRE532RB
Plug		0.5 (1.10)	4.0 (244.09)	PRE532PB
Mobile Socket		1.0 (2.20)	4.0 (244.09)	PRE532MB
Flush Socket		0.6 (1.32)	2.7 (164.76)	PRE532FB
380/415 Vac 50/60 Hz — Red				
Wall Socket		2.0 (4.41)	7.0 (427.17)	PRE432RR
Plug		0.4 (0.88)	4.0 (244.09)	PRE432PR
Mobile Socket		0.8 (1.76)	3.2 (195.28)	PRE432MR
Flush Socket		0.6 (1.32)	2.7 (164.76)	PRE432FR
Wall Socket		2.0 (4.41)	7.0 (427.17)	PRE532RR
Plug		0.5 (1.10)	4.0 (244.09)	PRE532PR
Mobile Socket		1.0 (2.20)	4.0 (244.09)	PRE532MR
Flush Socket		0.6 (1.32)	2.7 (164.76)	PRE532FR
480/500 Vac 50/60 Hz — Black				
Wall Socket		2.0 (4.41)	7.0 (427.17)	PRE432RN
Plug		0.4 (0.88)	4.0 (244.09)	PRE432PN
Mobile Socket		1.0 (2.20)	4.0 (244.09)	PRE432MN
Flush Socket		0.6 (1.32)	2.7 (164.76)	PRE432FN

PLUGS AND RECEPTACLES: ATEX/IECEX INCREASED SAFETY



ATX™ PRE Series 32 Amp Low Voltage Plug and Socket Accessories

Increased Safety

ATEX/IECEX:
Zone 1 and 2 - 21 and 22
II 2 GD
IP66 - IK10

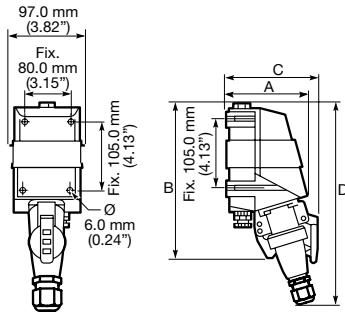
Accessories

	Description	Catalog Number
	M5 earth stud with black neoprene sealing washer and green/yellow earth conductor, length 300 mm (11.8")	PREESTM25
	M20 earth continuity adaptor with black neoprene sealing washer and green/yellow earth conductor, length 300 mm (11.8")	PREECAM25

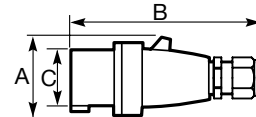
Dimensions in Millimeters (Inches)

32A – 2P+E – 3P+E – 3P+N+E Versions

Wall Mounting Sockets



Plugs



Dimensions in Millimeters (Inches)

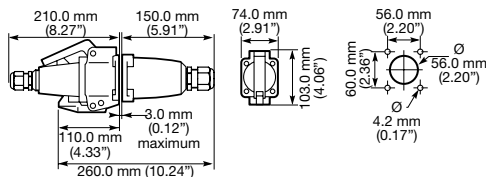
	A	B	C	D
2 P + E	140.0 (5.51)	275.0 (10.83)	155.0 (6.10)	370.0 (14.67)
3 P + E	140.0 (5.51)	275.0 (10.83)	155.0 (6.10)	370.0 (14.67)
3 P + N + E	140.0 (5.51)	275.0 (10.83)	165.0 (6.50)	375.0 (14.76)

Dimensions in Millimeters (Inches)

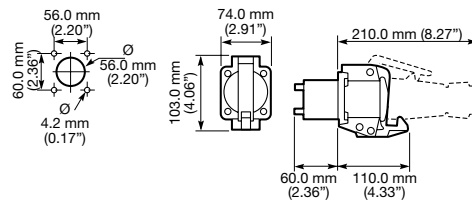
	A	B	C
2 P + T	80.0 (3.15)	170.0 (6.69)	67.0 (2.64)
3 P + T	80.0 (3.15)	170.0 (6.69)	67.0 (2.64)
3 P + N + T	80.0 (3.15)	195.0 (7.68)	74.0 (2.91)

Mobile Sockets

Can be mounted on panel - 3.0 mm (0.12") thickness maximum



Flush Sockets



PLUGS AND RECEPTACLES: ATEX/IECEX INCREASED SAFETY

Appleton