

# ASR Nonmetallic Interlocked Receptacles

## With Enclosed Disconnect Switch

600 Vac, 30 and 60 Amp, Fused and Non-Fused

NEC/CEC:  
NEMA 4X, 12

PLUGS AND RECEPTACLES: NEC/CEC ORDINARY LOCATION

Appleton®

### Applications

- For use where an interlocked disconnect switch is desired to control a Powertite™ receptacle and removal of the plug. Interlock prohibits plug insertion or removal under load. Plug is secured in place by interlock and cannot be withdrawn unless interlock switch is actuated.
- Designed for use in hose-down areas, damp or corrosive locations, raintight or watertight non-hazardous applications.
- For heavy duty applications where a service outlet is required for portable or fixed electrical equipment such as:
  - Welders
  - Generators
  - Compressors
  - Infrared ovens
  - Batch feeders
  - Conveyors
  - Truck terminals
  - Marine docks
- Ideally suited for use in industrial plant applications such as:
  - Automotive and steel processing plants
  - Pulp and paper processing plants
  - Milk processing plants and creameries
  - Fabrication yards and shipyards
  - Refrigerated truck terminals
- Suitable for use as a motor disconnect.

### Features

- Moveable mounting feet allow for installation on irregular surfaces for easy installation.
- Internal mounting tubes where mounting area is limited.
- Hidden hinge system eliminates sanitation concerns.
- The switch is the latest in technology utilizing self-cleaning contacts and driven by a solid bridge bar to prevent single phasing of motors. The quick make/break action provides long electrical life.
- Meets OSHA requirements for lockout/tagout (Reg. 1910.147). Switch can be locked in the "OFF" position.
- Utilizes Style 2 (shell and extra pole) grounding and 3-wire, 4-pole receptacle wiring.
- Available in fused or non-fused using the same compact enclosure.
- Class J fusing standard on fusible units (100 kAIC short circuit protection at the load source).
- Removable fuse holders allow for installation and replacement of fuse away from interior of unit (fuses not supplied).
- Supplied conduit hub can be installed on top or bottom of the enclosure. Hub sizes: 1.0" 30 Amp, 1.25" 60 Amp.
- Dead front design: Receptacle is not energized until plug is fully inserted and switch is engaged.
- IP66 Suitable.
- UL04 – 5V Flame Rating.

### Standard Materials

- Enclosure: VALOX® ① thermoplastic polyester with seamless form in place gasket
- Screws: stainless steel screws for outstanding corrosion resistance
- Materials are UV stabilized



### NEC/CEC Certifications and Compliances

- UL Standard: UL 98, UL 1682, and UL 1686
- UL Listed: E304212
- CSA Standard: CSA 22.2 No. 4, C22.2 No. 182.1
- cUL Listed: E160652

### Related Products

- Uses standard Powertite™ ACP and NACP plugs for wide acceptability.

① Valox is a registered trademark of General Electric Co.

Classified by UL for use in specific combinations with Crouse-Hinds. Arkrite is a registered trademark of Cooper Crouse-Hinds.

# ASR Nonmetallic Interlocked Receptacles

## With Enclosed Disconnect Switch

600 Vac, 30 and 60 Amp, Fused and Non-Fused

NEC/CEC:  
NEMA 4X, 12



Amp	Type	Config.	Catalog Number
30	Non-Fused	3W 4P	ASR3034
	Fused		ASR3034F
60	Non-Fused	3W 4P	ASR6034
	Fused		ASR6034F

### Mating Powertite™ Plug



Type	Amp	AWG	Cable Range (inches)	Style of Cable	Config.	Mating Plug
Non-Metallic	30	12-6	.45-1.12 O.D.	G,W,S, SO and STO	3W 4P	NMACP3034BC
	60	8-4	.50-1.45 O.D.			NMACP6034BC
Metallic	30	12-6	.45-1.12 O.D.	G,W,S, SO and STO	3W 4P	ACP3034BC
	60	8-4	.50-1.45 O.D.			ACP6034BC

### Optional Auxiliary Contacts

Amps	Interlock Type	Fusible Catalog Number	Non-Fusible Catalog Number
30	1 N/O, 1 N/C	ASR30FDAUX	ASR30AUX
60	1 N/O	ASR60FDAUX-O	ASR60AUX
60	1 N/C	ASR60FDAUX-C	N/A

### Replacement Parts



Description	Catalog Number
30 Amp Cover	PTTC30
60 Amp Cover	PTTC60B

### Horsepower Ratings

Amp		Fusible — Single Phase				Non-Fused — Single Phase			
		208 Vac	240 Vac	480 Vac	600 Vac	208 Vac	240 Vac	480 Vac	600 Vac
30	Standard	—	1.5	3	—	5	5	10	10
	Maximum	5	5	7.5	—	—	—	—	—
60	Standard	—	3	5	—	10	10	20	30
	Maximum	7.5	7.5	15	—	—	—	—	—

Amp		Fusible — Three Phase				Non-Fused — Three Phase			
		208 Vac	240 Vac	480 Vac	600 Vac	208 Vac	240 Vac	480 Vac	600 Vac
30	Standard	—	3	5	7.5	10	10	20	20
	Maximum	7.5	7.5	15	20	—	—	—	—
60	Standard	7.5	7.5	15	15	20	20	40	50
	Maximum	15	15	30	50	—	—	—	—

PLUGS AND RECEPTACLES: NEC/CEC ORDINARY LOCATION



# ASR Nonmetallic Interlocked Receptacles

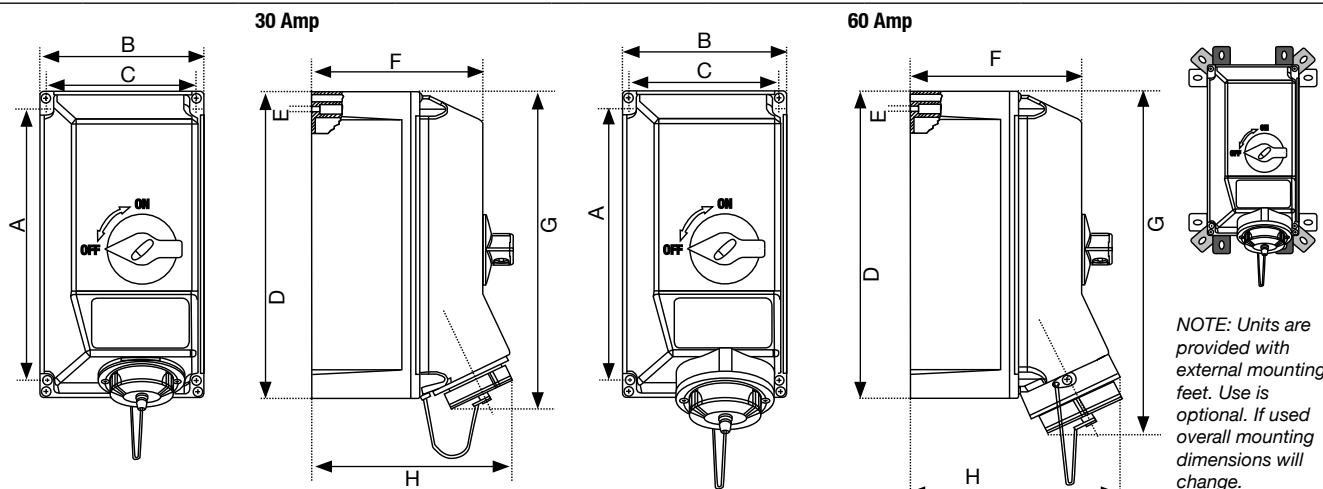
## With Enclosed Disconnect Switch

600 Vac, 30 and 60 Amp, Fused and Non-Fused

NEC/CEC:  
NEMA 4X, 12

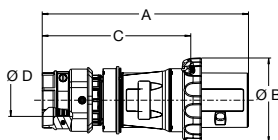
### ASR Receptacle Dimensions in Millimeters (Inches)

PLUGS AND RECEPTACLES: NEC/CEC ORDINARY LOCATION



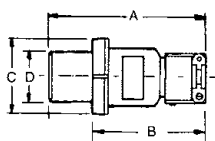
Amp	A	B	C	D	E	F	G	H
30	292.1 (11.50)	177.8 (7.0)	161.0 (6.34)	330.2 (13.00)	4.57 (0.18)	183.6 (7.23)	341.8 (13.46)	214.6 (8.45)
60	292.1 (11.50)	177.8 (7.0)	161.0 (6.34)	330.2 (13.00)	4.57 (0.18)	183.6 (7.23)	367.0 (14.45)	226.8 (8.93)

### NMACP Plug Dimensions in Millimeters (Inches)



Amp	No. Poles	A	B	C	D Minimum	D Maximum
30	4	187.0 (7.36)	63.0 (2.48)	145.0 (5.71)	11.0 (0.43)	24.5 (0.97)
60	4	245.0 (9.65)	3.94 (100.0)	174.0 (6.85)	14.5 (0.57)	36.0 (1.42)

### ACP Plug Dimensions in Millimeters (Inches)



Amp	No. Poles	A	B	C	D
30	2,3,4	152.4 (6.00)	120.6 (4.75)	79.5 (3.13)	47.2 (1.86)
60	2,3	198.3 (7.81)	125.4 (4.94)	88.9 (3.50)	56.6 (2.23)
60	4	198.3 (7.81)	125.4 (4.94)	96.7 (3.81)	64.7 (2.55)