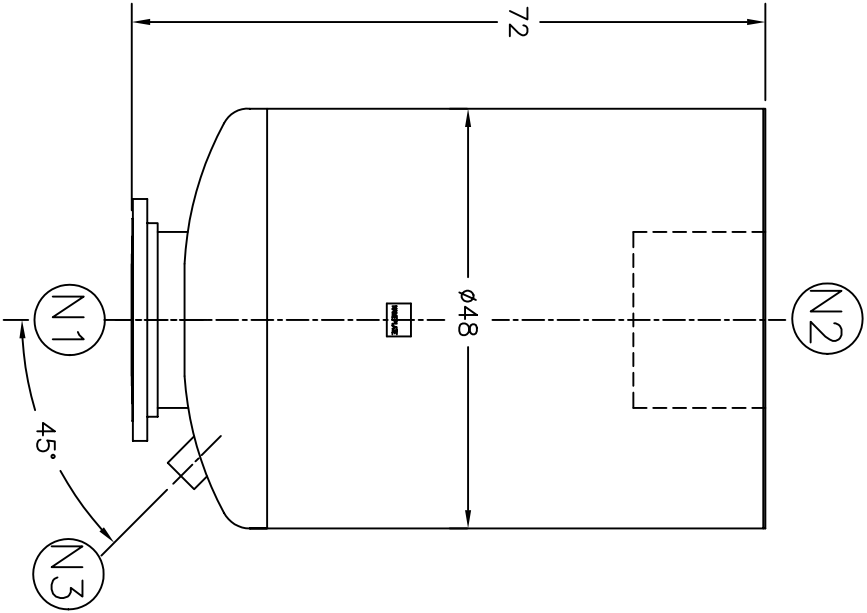


NOZZLE SCHEDULE		
ITEM	QTY.	NAME DESCRIPTION
N1	1	INLET 20" - ANSI CLASS 150 RFSSO
N2	1	OUTLET 20" - STD WT. PIPE
N3	1	DRAIN 3" NPT 3000# CPLG

REV	DATE	CHANGE	ECR	BY	APP
A	12/08/03	NEW ISSUE	B892	LH	VA
B	11/1/05	REVISED TITLE BLOCK	D507	FM	LH



NOTES:

1. ALL DIMENSIONS ARE IN INCHES.
2. ALL BOLT HOLES ARE TO STRADDLE NATURAL CENTERLINES.
3. SHIPPING WEIGHT: 1500 POUNDS.
4. DESIGN DATA:
 DESIGN PRESSURE- ATMOSPHERIC
 DESIGN TEMPERATURE- AMBIENT
 CORROSION ALLOWANCE- 0 INCHES
 5. MATERIAL: CARBON STEEL.

ELECTRONIC FILE NAME:
SD20EH.C.DWG

TOLERANCES UNLESS OTHERWISE SPECIFIED
PER ENGINEERING STANDARD ES- - -

UNAUTHORIZED USE, MANUFACTURE OR
REPRODUCTION IN WHOLE OR IN PART IS
PROHIBITED. DRAWING, DESIGN AND
OTHER DISCLOSURES PROPERTY OF
EATON FILTRATION, LLC



EATON FILTRATION, LLC
 900 FAIRMOUNT AVENUE, ELIZABETH, NEW JERSEY 07207
**20" TYPE "40-EHMF" EXHAUST
 HEAD 150# FLG (CSTL)**

CUSTOMER:
 REG. NO.:
 P.O. NO.:
 TAG NO.:
 PART NO.: 20EHRC

DRAWN	LH	DATE	12/08/03	CHECKED	FM	DATE	12/08/03
APP	VA	DATE	12/08/03	SCALE	NTS	ECR	B892
SIZE	A	DWG NO		SD20EH.C		REV	B