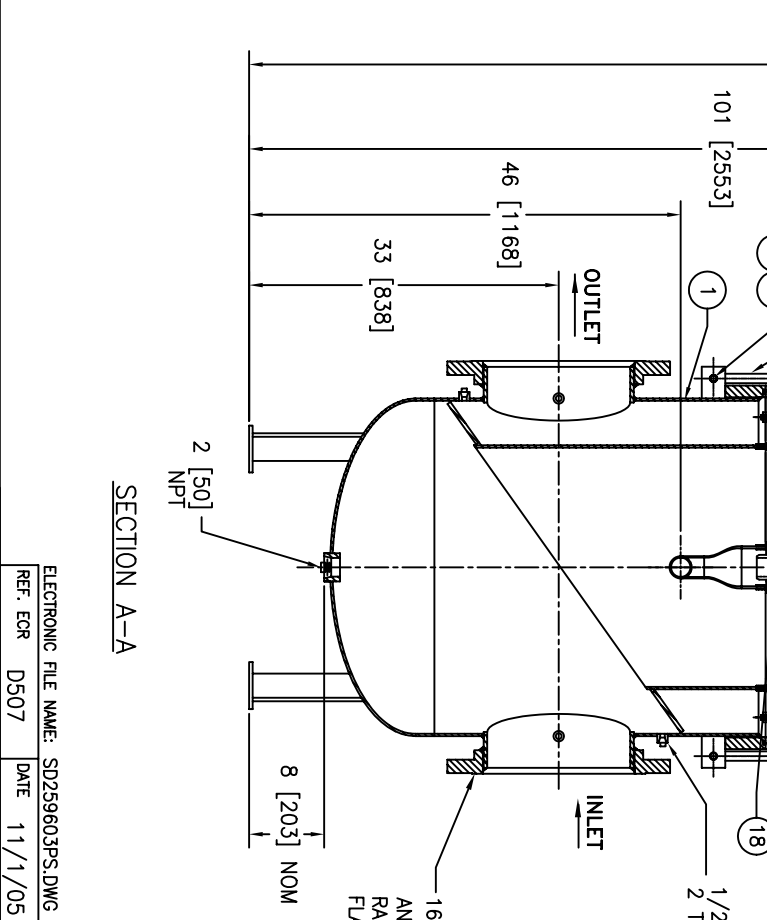


NO.	PART NAME	MATERIAL
1	BODY	STAINLESS STEEL
2	COVER	STAINLESS STEEL
3	STRAINING ELEMENT	316 STAINLESS STEEL
4	BACKWASH SHAFT	STAINLESS STEEL
5	BACKWASH ARM	STAINLESS STEEL
6	B/W ARM NUT	STAINLESS STEEL
7	B/W ARM DRIVE PIN	STAINLESS STEEL
8	BEARING HOUSING	STAINLESS STEEL
9	QUAD SEAL	BUNA
10	PILOT PACKING BUSHING	COMPOSITE
11	EYE BOLT PIN	CARBON STL ZINC P.L.
12	RETAINING RING	CARBON STL ZINC P.L.
13	EYE BOLT	CARBON STL ZINC P.L.
14,15	HEX NUT, WASHER	CARBON STL ZINC P.L.
16	LOWER SUPPORT RING	STAINLESS STEEL
17	GIRTH O-RING	NITRILE
18	LOWER BUSHING	COMPOSITE
19	SHAFT DRIVE PIN	STAINLESS STEEL
20	COTTER PIN	STAINLESS STEEL
21,22	STOP NUT, SPACER	CARBON STEEL
23	VENT VALVE, NIPPLE	STAINLESS STEEL
24	GEAR REDUCER	CAST IRON
25	MOTOR	1/4 HP

NOTES:

1. ALL DIMENSIONS ARE INCH [MM].
2. FOR REPLACEMENT PARTS, MODEL NO., SIZE & SERIAL NO. FROM THE STRAINER NAMEPLATE MUST BE FURNISHED.
3. DESIGN PRESSURE: 150 PSI @ 150°F [10.3 BARS @ 65.5°C]
4. INTERNAL COATING: NONE
5. EXTERNAL COATING: NONE
6. WEIGHTS: DRY 2050 LBS, COVER 850 LBS, FLOODED 4450 LBS, [DRY 930 KGS, COVER 366 KGS, FLOODED 2019 KGS]
7. PART NO.: 25961602200PS

CERTIFIED FOR:  
 QUOTE NO.:  
 P.O. NO.:  
 S.O. NO.:  
 NO. OF STRAINERS:  
 STRAINING ELEMENT:



SECTION A-A

UNAUTHORIZED USE, MANUFACTURE OR REPRODUCTION IN WHOLE OR IN PART IS PROHIBITED. DRAWING, DESIGN AND OTHER DISCLOSURES PROPERTY OF EATON FILTRATION, LLC

		<b>EATON FILTRATION, LLC</b> 900 FAIRMOUNT AVENUE, ELIZABETH, NEW JERSEY 07207			
		NAME <b>16" [400] MODEL 2596          AUTOMATIC STRAINER - FABRICATED          STAINLESS STEEL - QUAD SEAL</b>			
DRAWN <b>A</b>	FM	DATE 2/20/04	CERT. LH	DATE 2/20/04	REV <b>C</b>

REF. ECR D507 DATE 11/1/05

ELECTRONIC FILE NAME: SD259603PS.DWG

SD259603PS