

CIT 250

Process Display with Contacts



Functional range

- ▶ free scalable display
- ▶ 4 characteristic curve functions selectable (linear, root, square function or max. 20 free selectable points)
- ▶ switch mode, hysteresis, parameterizable deceleration of relay outputs
- ▶ display brightness and filter adjustable

Product characteristics

- ▶ input signal:
0/4 ... 20 mA, 0/1 ... 5 V, 0/2 ... 10 V
- ▶ 4-digit LED display
- ▶ transducer supply 24 V_{DC}
- ▶ communication interface
RS-485 (Modbus RTU)
- ▶ front panel housing 72 x 36 mm

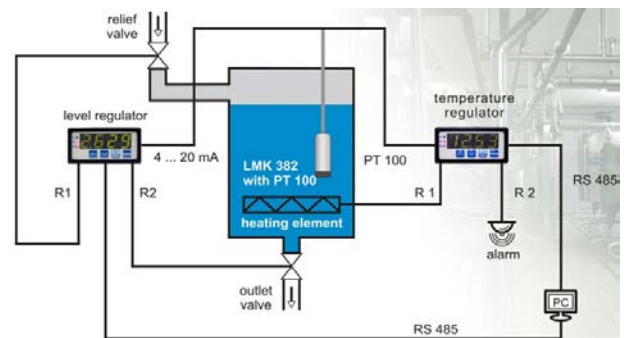
Optional versions

- ▶ input signal
Pt100 / Pt500 / Pt1000
- ▶ 1 or 2 contacts

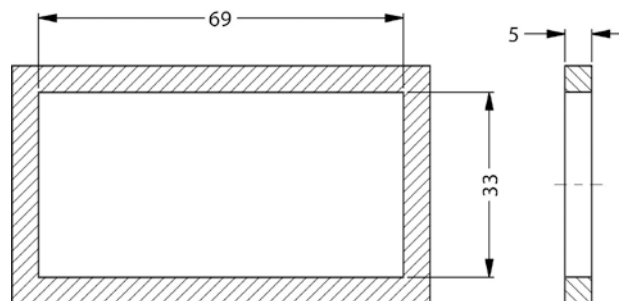
Typical application



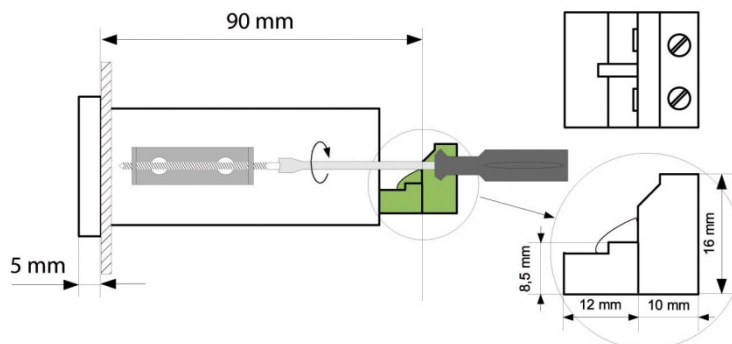
combined level and temperature measurement in heated container



Supply		
Supply voltage	standard: 85 ... 260 V _{AC} or V _{DC}	option: 16 ... 35 V _{AC} / 19 ... 50 V _{DC}
Power consumption	max. 4.5 VA or W	
Signal input		
Input signal	standard: 0/4 ... 20 mA, 0/1 ... 5 V, 0/2 ... 10 V option: PT100 / PT500 / PT1000	
Contacts (optional)		
Contact	1 or 2 SPST-relay	
Switching voltage	max. 250 V _{AC}	
Switching current	max. 1 A (cos φ 1)	
Transducer supply		
DC	24 V _{DC} + 5%, - 10%, max. 100 mA	
Communication / Performance		
Communication interface	RS-485 (Modbus RTU)	
Transmission speed	1200 - 115200 bit/sec.	
Permissible temperatures		
Operating temperature	0 ... 50 °C	
Storage temperature	-10 ... 70 °C	
Electrical protection		
Electrical safety	EN 61010-1	
EMC	EN 61326	
Miscellaneous		
Type of protection	IP 65 (front foil), IP 20 (housing, connectors)	
Display	4-digit LED display, red / green, 4 x 13 mm	
Range of indication	- 999 ... 9999 + decimal point / temperature range: -100 ... 600 °C	
Accuracy (25 °C)	± 0.1 % FSO	tolerance band (0 ... 50 °C): max. 0.25 % FSO
Housing dimensions	72 x 36 x 95 mm	
Housing	panel	
Housing material	NORYL-GFN2S E1	
CE-conformity	EMC Directive: 2014/30/EU	
Dimensions (in mm)		



mounting hole dimensions



dimensions of brackets and connectors

© 2016 BD|SENSORS GmbH – Die in diesem Dokument beschriebenen Geräte entsprechen in ihren technischen Daten dem derzeitigen Stand der Technik. Änderungen und den Austausch von Werkstoffen behalten wir uns vor.

Ordering code CIT 250

CIT 250 - - - - -

Input type						
0/4 ... 20 mA, 0/1 ... 5 V, 0/2 ... 10 V	1					
Pt100, Pt500, Pt1000	2					
Output						
without	0					
1 SPST relay	1					
2 SPST relay	2					
Supply						
85 ... 260 V _{AC} / V _{DC}	1					
16 ... 35 V _{AC} / 19 ... 50 V _{DC}	2					
Display foil						
neutral		1	0	0		
customer		9	9	9		consult
Special version						
standard				0	0	0
customer				9	9	9
						consult

0F.€ .201H

This price list contains product specification, properties are not guaranteed. Detailed information about options are defined in the datasheet. Subject to change without notice.

