



Type 2671 can be combined with...



Type 2052
Pneumatic
actuator



Type 2051
Pneumatic
actuator



Type 3003
Electric
actuator



Type 3004
Electric
actuator



Type 3005
Electric
actuator

Butterfly Valve -Wafer type-

- Manually operated / automatable
- High flow rate
- Shaft and housing: non-wetted parts
- Low torque through self-lubricating bearing bush

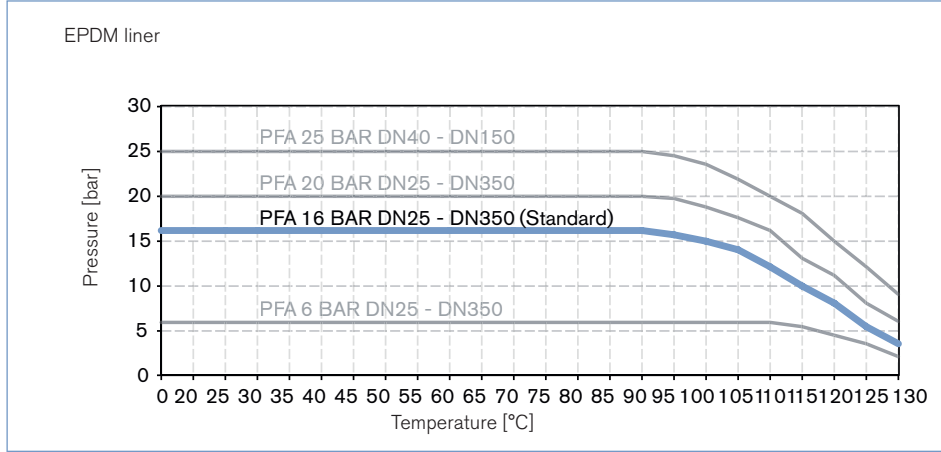
2/2 way Butterfly Valves used for control and on/off operations. Due to the fact, that the valves are available with different body types (wafer or lug type) and materials, they perfectly meet the requirements of diverse applications and processes. Usually they are used in application fields such as, for example, the metal industry, power generation, pulp and paper, mining, shipbuilding, environmental and mechanical engineering.

Further features und benefits are:

- Through shaft for self centering disc --> even wear and low torques
- PFA-coated shaft in the sealing portion
- Blow-out proof shaft seal
- Spherically shaped disc
- sturdy notched handle in ductile iron: lockable in 10 adjustable positions

Technical data	
Orifice	DN25 to 300
Body	Wafer, Lug (on request)
Body material	GG25 (GGG40 on request)
Disc material	316 (other materials or coatings on request)
Seal material	EPDM (NBR, FKM on request)
Medium temperature	-10°C up to 120°C (for EPDM - see Pressure/Temperature chart p. 2) Butterfly valves with different maximum pressure ratings on request
Medium pressure	max. 16 bar - in standard (see Pressure/Temperature chart p. 2)
Port connections	EN1092-1 & EN1092-2 ASME/ANSI B16.1 Class 125 ASME/ANSI B16.5 Class 150 (see chart p. 4)
ISO top flange	EN ISO 5211
Design	EN593
Considered standards	ISO 5752 Serie 20 EN 558 Serie 20 API609 Chart 2

Pressure/Temperature diagram



Depending on the technical specifications, the butterfly valves are available with different pressure ratings (in standard: 16bar). This has an influence on the torque of the valve, too.

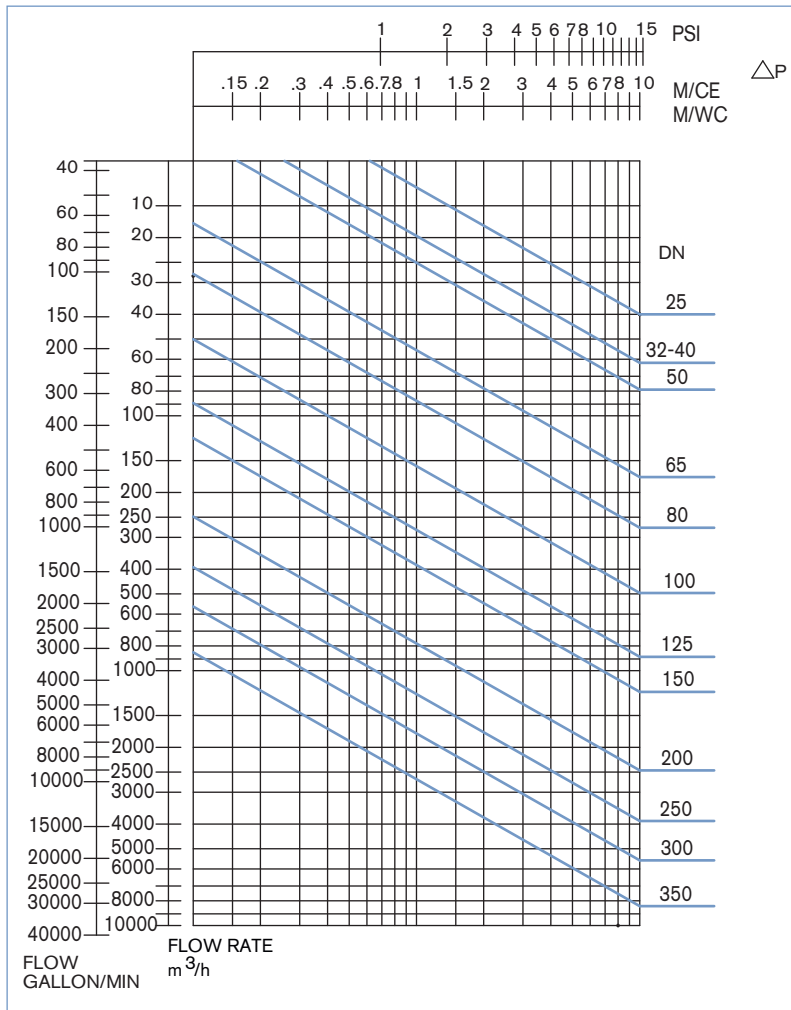
Torque [Nm] for water at 20 °C

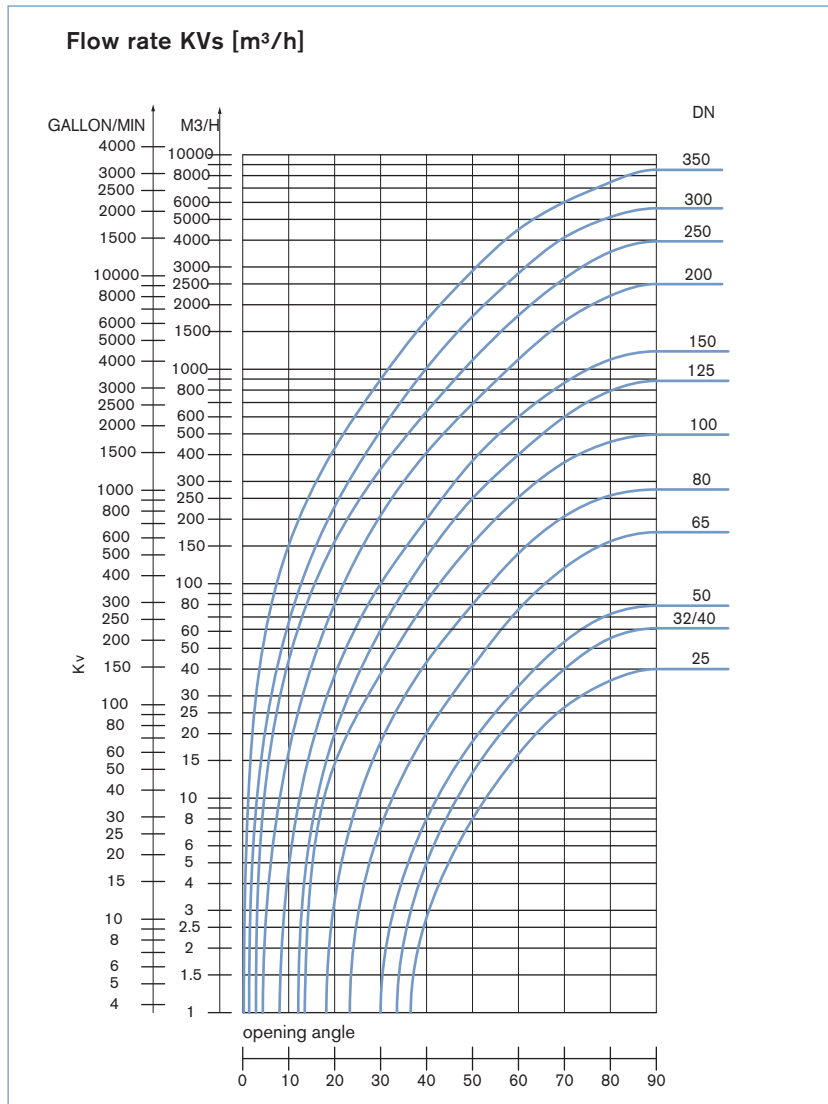
Orifice [mm]	25	32	40	50	65	80	100	125	150	200	250	300
PN 6	10	10	10	10	10	20	22	40	45	100	200	280
PN16	10	10	10	10	18	25	46	50	60	115 ¹⁾ / 180 ²⁾	280	430

¹⁾ Standard butterfly valve (Body material: GG25, Liner: EPDM, Disc: 316)

²⁾ Butterfly valves - beyond the defined standard ones (for example with ductile iron body material)

Pressure drop diagram for water at 20 °C





Orifice [mm]	10°	20°	30°	40°	50°	60°	70°	80°	90°
25	-	-	-	3	8	16	27	35	40
32/40	-	-	-	5	12	25	40	56	62
50	-	-	1	8	18	33	54	71	79
65	-	-	6	19	41	76	118	158	174
80	-	3	18	43	79	138	211	252	275
100	-	15	38	83	154	253	368	458	496
125	-	20	61	134	249	399	599	792	883
150	5	37	100	200	374	600	863	1109	1212
200	15	76	200	399	680	1099	1666	2196	2500
250	40	150	333	621	1084	1765	2652	3517	3948
300	60	219	500	989	1736	2770	4097	5118	5635

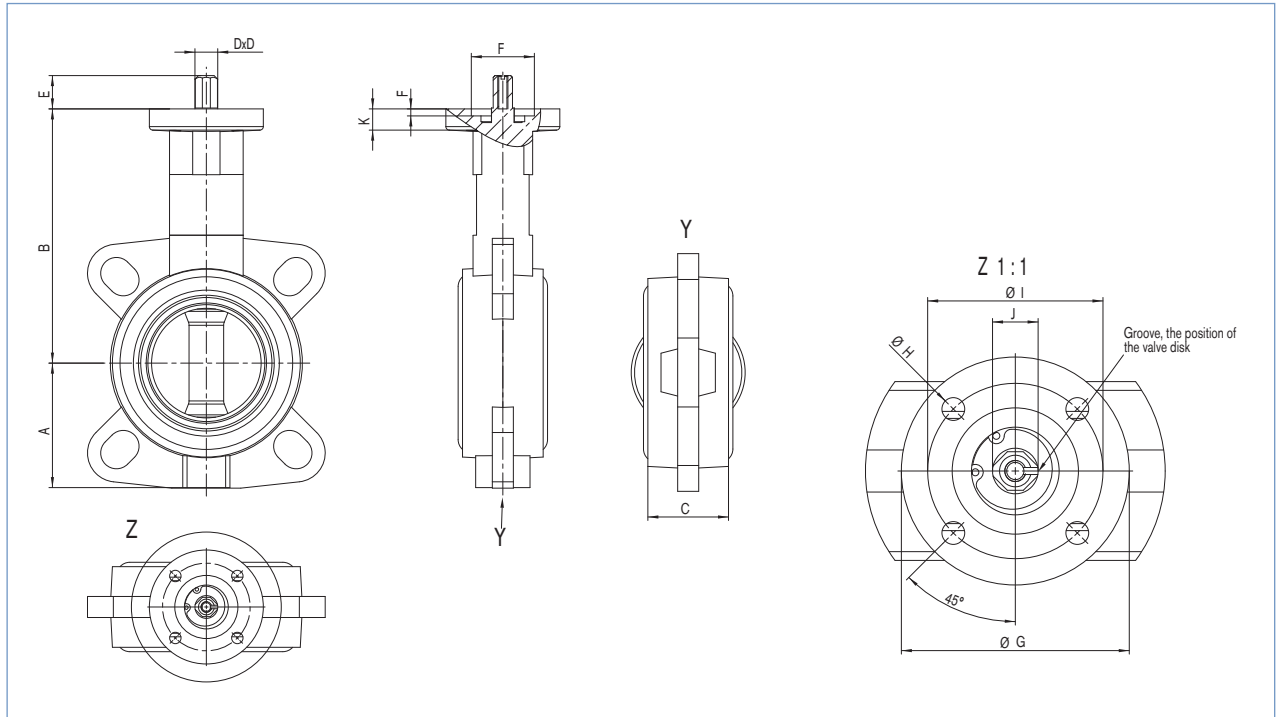
Kvs value [m³ / h] Nominal flow rate for water according to VDI / VDE 2173. Measurement at a medium temperature of 15 °C, 1 bar pressure at the inlet and free outlet.

A butterfly valve is not the best fitting for flow control. However, the butterfly valve can be used as a control valve at an opening angle between 30° and 90°. A regulation to an opening angle below 30° is not recommended due to high flow rates and cavitation, which results in early damage of the valve.

The max. flow rate of the medium through the butterfly valve must not be exceeded:

- 3m/s for liquid media. The use between 3 and 5m/s is possible. However, this increases the risk of cavitation, noise, vibrations and pressure surges.
- 20m/s for gas. The use between 20 and 25m/s is possible. However, this increases the risk of cavitation, noise, vibrations and pressure surges

Dimensions [mm] - Wafer type



Orifice	A	B	C	D	E	F	G	H	I	ISO 5211	K
25	50	125	32	11	16	36	65	6.5	50	F05	12
32	57	130	32	11	16	36	65	6.5	50	F05	12
40	57	130	32	11	16	36	65	6.5	50	F05	12
50	62	136	43	11	16	36	65	6.5	50	F05	12
65	84	145	46	11	16	36	65	6.5	50	F05	12
80	89	151	46	11	16	36	65	6.5	50	F05	12
100	106	175	52	11	16	36	65	6.5	50	F05	10
125	120	190	56	14	19	56	90	8.5	70	F07	12
150	131	203	56	14	19	56	90	8.5	70	F07	12
200 ¹⁾	166	225	60	14	19	56	90	8.5	70	F07	12
200 ²⁾	164	245.5	60	17	24	71	125	10.5	102	F10	16
250	200	271	68	22	24	71	125	10.5	102	F10	16
300	235	296	78	22	29	87	150	12.5	125	F12	16

¹⁾ Standard butterfly valve (Body material: GG25, Liner: EPDM, Disc: 316)

²⁾ Butterfly valves - beyond the defined standard ones (for example with ductile iron body material)

Connection flange

Orifice		EN1092-1 & EN1092-2					ASME / ANSI B16.1 Class 125	ASME / ANSI B16.5 Class 150	ASME / ANSI B16.5 Class 300	BS10 Table D	Table E	JIS B2238 & JIS B2239		
		PN6	PN10	PN16	PN25	PN40						5 GP	10 GP	16 GP
25	1	yes	yes	yes	yes	yes	yes	yes	yes	yes	No	yes	no	
32	1 1/4	yes	yes	yes	yes	yes	yes	yes	yes	no	no	no	yes	no
40	1 1/2	yes	yes	yes	yes	yes	yes	yes	no	yes	yes	no	yes	no
50	2	yes	yes	yes	yes	yes	yes	yes	no	yes	yes	no	no	no
65	2 1/2	yes	yes	yes	yes	yes	yes	yes	no	no	no	yes	yes	no
80	3	yes	yes	yes	yes	yes	yes	yes	no	yes	yes	yes	no	no
100	4	yes	yes	yes	yes	yes	yes	yes	no	yes	yes	no	no	yes
125	5	yes	yes	yes	no	no	yes	yes	no	yes	yes	yes	yes	no
150	6	yes	yes	yes	no	no	yes	yes	no	yes	no	yes	yes	no
200	8	yes	yes	yes	no	no	yes	yes	no	no	no	no	no	no
250	10	yes	yes	yes	no	no	yes	yes	no	no	yes	yes	yes	no
300	12	yes	yes	yes	no	no	yes	yes	no	yes	yes	no	no	no

Ordering chart (other versions on request)

Orifice	Body	Body material	Disc material	Gasket	max pressure [bar]	KVs [m ³ /h]	Weight - bare shaft [kg]	Weight with hand lever [kg]	Weight with manual gear box [kg]	Item no. bare shaft	Item no. with hand lever (DN25 - DN150) / manual gear box (DN200 - DN300)
25	Wafer	GG25	316	EPDM	10	40	1.6	2.4	-	770 959	255 059
32/40	Wafer	GG25	316	EPDM	16	62	1.8	2.6	-	770 520	255 060
50	Wafer	GG25	316	EPDM	16	79	2.5	3.3	-	770 961	255 061
65	Wafer	GG25	316	EPDM	16	174	2.9	3.7	-	770 962	255 062
80	Wafer	GG25	316	EPDM	16	275	3.2	4.0	-	770 963	255 063
100	Wafer	GG25	316	EPDM	16	496	5.1	6.3	-	770 964	255 064
125	Wafer	GG25	316	EPDM	16	883	6.5	7.7	-	770 517	255 065
150	Wafer	GG25	316	EPDM	16	1212	8.0	9.2	-	770 966	255 066
200	Wafer	GG25	316	EPDM	16	2500	13.9	-	16.5	770 516	255 067
250	Wafer	GG25	316	EPDM	16	3948	20.6	-	23.2	770 968	255 069
300	Wafer	GG25	316	EPDM	16	5635	31.0	-	36.15	770 881	255 070

To find your nearest Bürkert facility, click on the orange box →

www.burkert.comIn case of special application conditions,
please consult for advice.Subject to alterations
© Christian Bürkert GmbH & Co. KG

1603/4_EU-en_00895241