

Combining Power and Data into a Single Solution



Appleton™ PlexPower™ IEC Fiber Panel
Technology and Application Guide.



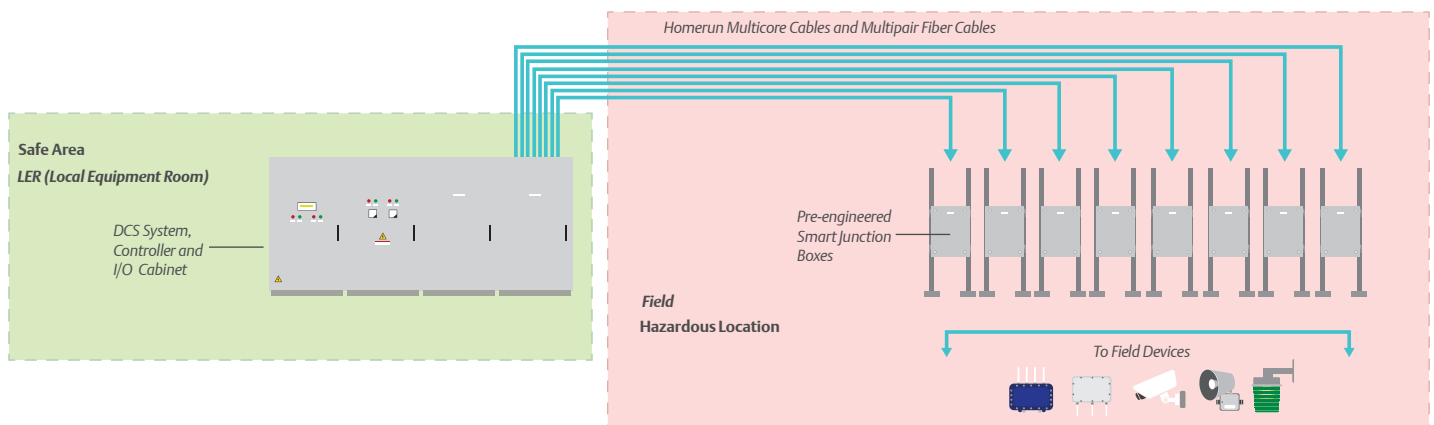
Innovative Design Meets Intelligent Technology

Typically, in hazardous location facilities, data and power are routed from two separate enclosures in a control room located in the safe or non-hazardous area. This results in separate cables for power and data from each and every field device being fed back to the control room. With this configuration, installations are more complex, maintenance times are longer and cabling costs are significantly higher.

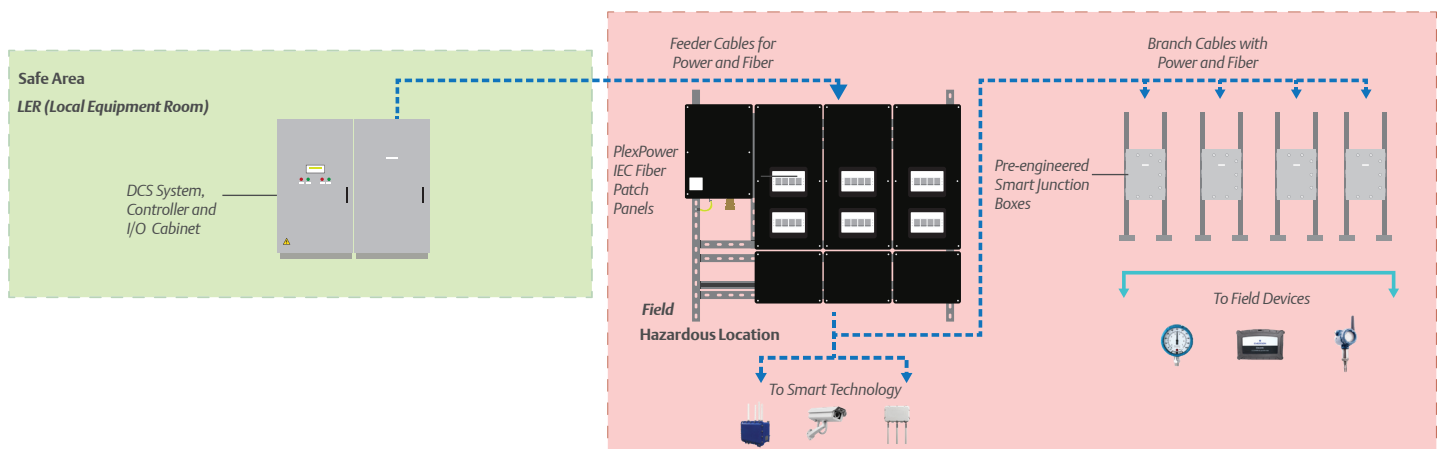
Through unprecedented engineering and design, the Appleton™ PlexPower™ IEC Fiber Panel by Emerson answers the need for simplified process monitoring and data communications. Utilizing the technology of our PlexPower panelboards, the PlexPower IEC Fiber Panel combines power distribution technology and instrumentation/process monitoring together into a single solution for hazardous, wet and corrosive environments.

Our PlexPower IEC Fiber Panels bring cables from up to 24 field junction boxes back to one enclosure located in the hazardous area, drastically reducing the number of long dedicated cable runs while also limiting potential failure points. Field junction boxes can also be connected to multiple PlexPower Fiber Panels, creating redundant pathways to increase reliability.

Before PlexPower IEC Fiber Panels



After PlexPower IEC Fiber Panels



Break With Tradition

Boasting Zone 1-2 and 21-22 IIB+H₂ certifications, the Appleton PlexPower IEC Fiber Panelboard provides end users flexibility and convenience in a smaller, light weight footprint.

WEATHERPROOF WINDOW
External actuation of branch breakers through a weatherproof window simplified operation

PATCH PANEL
Hardware assembly with data ports for circuit management. High speed OS2 fiber cable supported as standard.

BUS DUCT
Provides an insulated conduit for wiring.

ENCLOSURE
IP66 Enclosure Fiberglass Reinforced Polyester (FRP) or Stainless Steel

BUS BAR
50 kAIC hard drawn copper bus bar provides robust, reliable and efficient electrical connections in a compact space

CLASSIC FRAME
Hot dip galvanized steel frame and adjustable mounting lugs for easy mounting

TERMINAL LOAD BLOCK
Provides electrical connection to the mains.

BREAKER ASSEMBLY
Appleton PlexPower circuit breaker housing offers component level protection. It maintains a hazardous location rating while allowing for easy disassembly for servicing. This leads to less downtime and provides greater inventory flexibility. You have the standard off-the-shelf replacement parts you need, when you need them. Designed to provide anti-loosening termination and efficient heat dissipation ensures reliable breaker performance without de-rating.

- 1. Rugged Termination:** Breaker housing connects to the panelboard by means of line terminations.
- 2. Flameproof enclosure housing:** Labyrinth joint construction and flame arrestors.
- 3. Venting plate:** Unique design of breaker housing allows safe heat dissipation, while eliminating nuisance tripping.
- 4. Field Replaceable Breaker:** Standard, off-the-shelf circuit breakers are easy to obtain and reduce inventory costs and downtime.

Smarter Technology in a Hazardous Location Facility

With the presence of flammable gases and vapors, hazardous locations around the world demand electrical products engineered to provide proper protection from dangers like heat or spark-induced ignition. Our engineers have developed innovative advancements in supplying power and data throughout a facility.

Safe Area



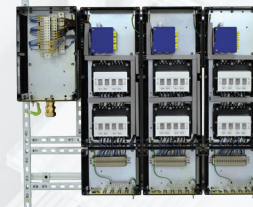
1. Network / Power Cabinet

Feeder cable(s) originate in the safe area control room.



2. Feeder Cables for Power and Fiber

2-6 AWG single phase.
24-96 pair fiber optic.
Supports composite and separate cables.



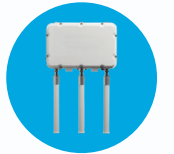
3. PlexPower IEC Fiber Panel

Hazardous certified panel(s) with IP66 and Type 4X Environmental Ratings in Hazardous (Classified) Area.



4. Branch Cables with Power and Fiber

12-14 AWG single phase.
2-4 pair fiber optic.
Supports composite and separate cables



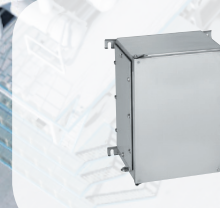
5c. Smart Technology

- Industrial Router
- Wireless Access Point (WAP) System
- Other Process Field Devices



5a. Emerson Smart Junction Box

Smart junction boxes located throughout the facility's hazardous area. Field devices are hardwired or connected wirelessly.



5b. Field Junction Box

Instrumentation junction boxes located throughout the facility's hazardous area. Field devices are hardwired or connected wirelessly.

6. Field Devices

- Measurement Devices
- Pressure Transmitter
- Wireless Pressure Gauge



Improved network topology utilizing Emerson's electrical and automation expertise.



Appleton is the cornerstone brand of Emerson's Electrical Apparatus and Lighting business; trusted worldwide to make electrical installations safer, more productive and more reliable.

United States (Headquarters)

Appleton Grp LLC
9377 W. Higgins Road
Rosemont, IL 60018
United States
T +1 800 621 1506

Europe

ATX SAS
Espace Industriel Nord
35, rue André Durouchez,
CS 98017
80084 Amiens Cedex 2, France
T +33 3 2254 1390

Canada

EGS Electrical Group Canada Ltd.
99 Union Street
Elmira ON, N3B 3L7
Canada
T +1 888 765 2226

Asia Pacific

EGS Private Ltd.
Block 4008, Ang Mo Kio Ave
10,
#04-16 TechPlace 1,
Singapore 569625
T +65 6556 1100

Latin America

EGS Comercializadora Mexico S
de RL de CV
Calle 10 N°145 Piso 3
Col. San Pedro de los Pinos
Del. Álvaro Obregon
Ciudad de México. 01180
T +52 55 5809 5049

Australia Sales Office

Bayswater, Victoria
T +61 3 9721 0348

China Sales Office

Shanghai
T +86 21 3338 7000

Middle East Sales Office

Dammam, Saudi Arabia
T +966 13 510 3702

Chile Sales Office

Las Condes
T +56 2928 4819

India Sales Office

Chennai
T +91 44 3919 7300

Korea Sales Office

Seoul
T +82 2 3483 1555

Jebel Ali- Dubai Office

Emerson, Building A
Appleton Group
Jebel Ali Free Zone- South
T +971 4 811 81 00



Emerson.com



LinkedIn.com/company/emerson

The Emerson logo is a trademark and service mark of Emerson Electric Co. Appleton is a registered trademark of Appleton Grp LLC. All other marks are the property of their respective owners. © 2019 Emerson Electric Co. All rights reserved.



CONSIDER IT SOLVED™