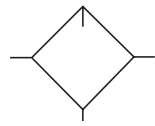


# Lubricator L18 EconOmist™



**B**

Filters, Regulators, Lubricators

## Features

- Integral Sight Dome and Adjustment Knob
- 1/2" NPT / BSPP-G Over-port
- Can be Filled while Under Pressure
- Quick-disconnect Bowl / Bowl Guard
- Manual Drain
- High Flow Capacities

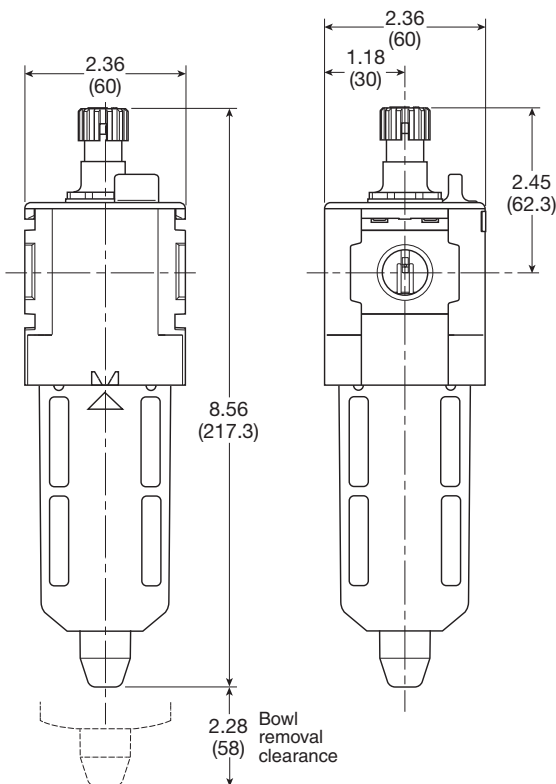
## Specifications

Flow Capacity*	1/4	88 SCFM (42 dm <sup>3</sup> /s, ANR)
	3/8	90 SCFM (43 dm <sup>3</sup> /s, ANR)
	1/2	96 SCFM (45 dm <sup>3</sup> /s, ANR)
Initial Drip Flow	0.68 SCFM	
Maximum Supply Pressure	Plastic Bowl	150 PSIG (10.3 bar)
	Metal Bowl	250 PSIG (17.2 bar)
Minimum Flow for Lubrication	.7 SCFM @ 100 PSIG	
Operating Temperature	Plastic Bowl	14° to 125°F (-10° to 52°C)
	Metal Bowl	14° to 150°F (-10° to 65.5°C)
Port Size	NPT / BSPP-G	1/4, 3/8, 1/2
Bowl Capacity	4 oz	
Weight	0.68 lb. (0.31 kg)	

\* Inlet pressure 91.3 PSIG (6.3 bar). Pressure drop 4.9 PSID (0.34 bar).

## Materials of Construction

Body	Aluminum	
Body Cap	ABS	
Bowls	Plastic Bowl	Polycarbonate
	Metal Bowl	Aluminum
Pick-up Filter	Sintered Bronze	
Seals	Plastic Bowl	Nitrile
	Metal Bowl	Nitrile
Sight Dome	Polycarbonate	
Sight Gauge	Metal Bowl	Polyamide (Nylon)
Suggested Lubricant	Airline Oil F442001	



Inches (mm)

= "Most Popular"

### Replacement Bowl Kits

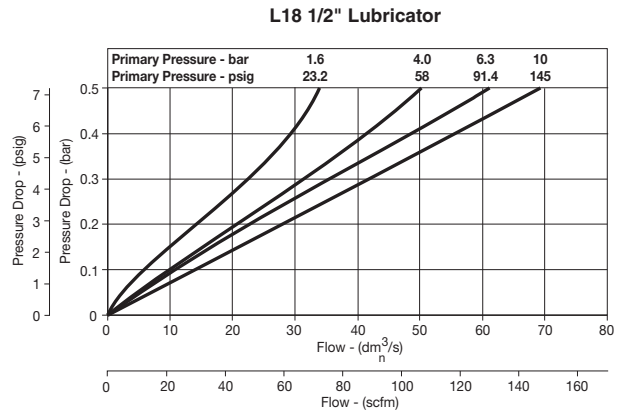
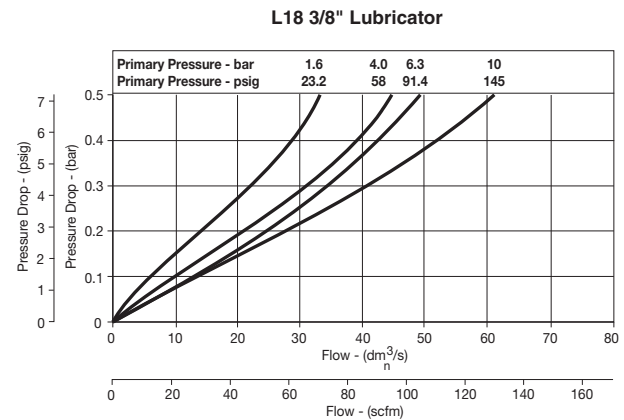
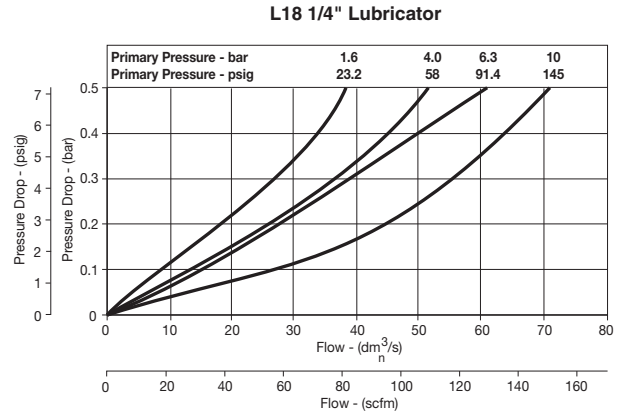
- Metal Bowl with Sight Gauge, Manual Drain..... GRP-96-636
- Plastic Bowl / Bowl Guard, Manual Drain..... LRP-96-701

### Replacement Kits

- Bowl O-ring –
  - Fluorocarbon ..... GRP-96-754
  - Nitrile..... GRP-96-640
- Bypass Assembly..... LRP-96-678
- Fill Plug Kit ..... LRP-96-679
- Sight Dome Assembly –
  - Polycarbonate, L18-XX-**K**K00..... LRP-96-310
  - Nylon..... LRP-96-312
- Siphon Tube Assembly ..... LRP-96-677

### Accessories

- Force Fill Adapter..... LRP-96-704
- Manual Drain..... GRP-96-685
- Sight Gauge Kit..... GRP-96-825
- Wall Mounting Bracket –
  - L-Type ..... GPA-96-604
  - T-Type ..... GPA-96-602



**B**  
Filters, Regulators, Lubricators

### Ordering Information

Model Type	Port Size	Plastic Bowl / Bowl Guard	Metal Bowl / Sight Gauge
No Drain	1/4	L18-02-KC00B	L18-02-KD00B
	3/8	L18-03-KC00B	L18-03-KD00B
	1/2	L18-04-KC00B	L18-04-KD00B
Manual Drain	1/4	L18-02-KK00B	L18-02-KL00B
	3/8	L18-03-KK00B	L18-03-KL00B
	1/2	L18-04-KK00B	L18-04-KL00B

**Options** - To order an option supplied with the unit model, add the appropriate coded suffix letter in the designated position of the model number.