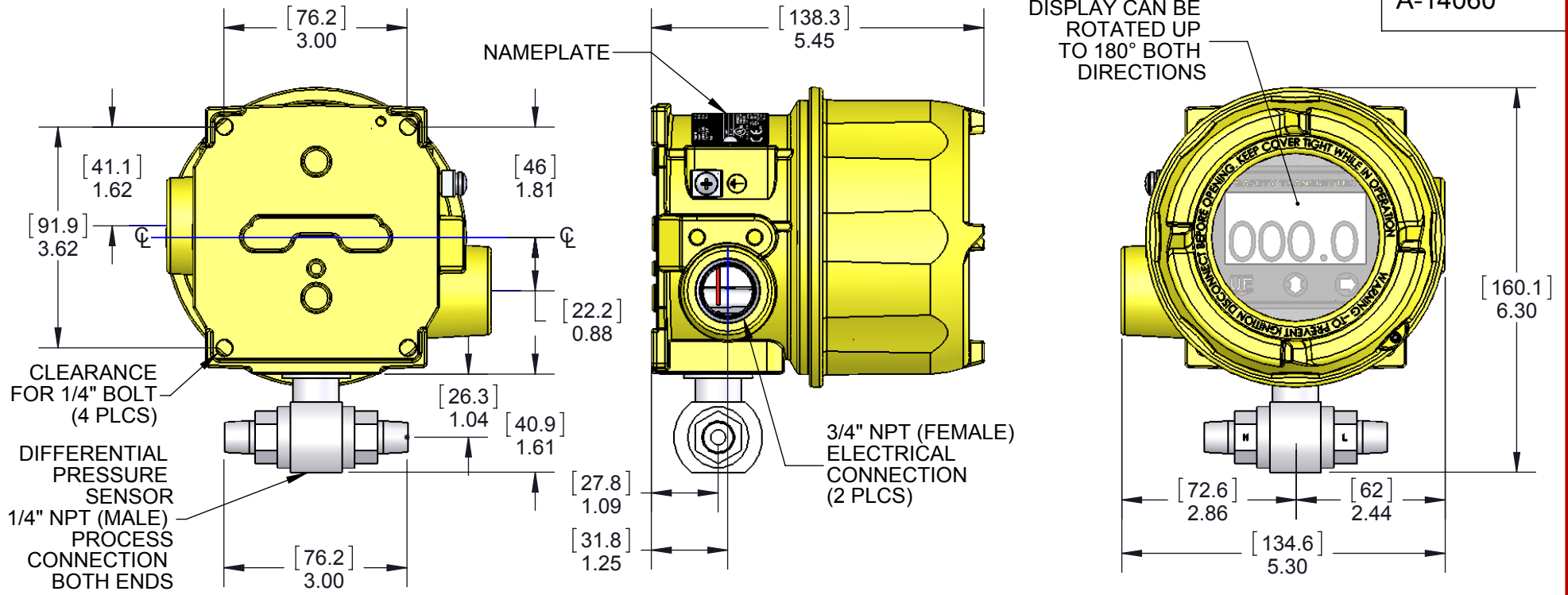


A-14060



SPECIFICATIONS:

(SPECIFICATIONS AT 25°C (77°F) AND NOMINAL VOLTAGE UNLESS OTHERWISE NOTED).

MECHANICAL:

WETTED MATERIALS: 316 STAINLESS STEEL
ENCLOSURE: TYPE 360 ALUMINUM; EPOXY POWDER COATED

ELECTRICAL:

ELECTRICAL CONNECTIONS:

POWER INPUT: 3 POSITION TERMINAL BLOCK, 22-14 AWG WIRE, 4-20mA ANALOG INPUT POWERED (20-40 VDC) OR DIRECT CONNECTION TO 24 VDC (REFERENCE I&M FOR ALLOWABLE POWER SUPPLY AND LOAD LIMITS)

SAFETY RELAY OUTPUT: 4 POSITION TERMINAL BLOCK, 14-20 AWG WIRE 0*-130 VDC, 2.5A (GENERAL PURPOSE), Q150** MAX. (PILOT DUTY)

SWITCH STATUS: 2 POSITION TERMINAL BLOCK, 16-26 AWG WIRE, 30VDC, 20mA

IAW: 2 POSITION TERMINAL BLOCK, 16-26 AWG WIRE, 30VDC, 20mA

*10VDC, 5mA MIN. WITH RELAY MONITOR FEATURE ENABLED

**DE-RATE 1% PER Cc ABOVE 25°C

MODEL KXX	OPERATING RANGE			MAX. OVER PRESSURE		MAX. WORKING PRESSURE	
	LOW	HIGH		psi	bar	psi	bar
	psi/bar	psi	bar				
K10	0	5	0.3	10	0.7	50	3.4
K11	0	50	3.4	100	6.9	500	34.5
K12	0	100	6.9	200	13.8	1500	103.4
K13	0	200	13.8	400	27.6	1500	103.4

ORIGINAL DATE	5-24-17
DRWN	R. McCarey
CHKD	SR
APPD	R. McCAREY

TITLE
**2SLP49
DIFFERENTIAL
PRESSURE
SAFETY
XMITTER**

UE
UNITED ELECTRIC
CONTROLS COMPANY
WATERTOWN * MASSACHUSETTS

DWG NO Page 1 of 2

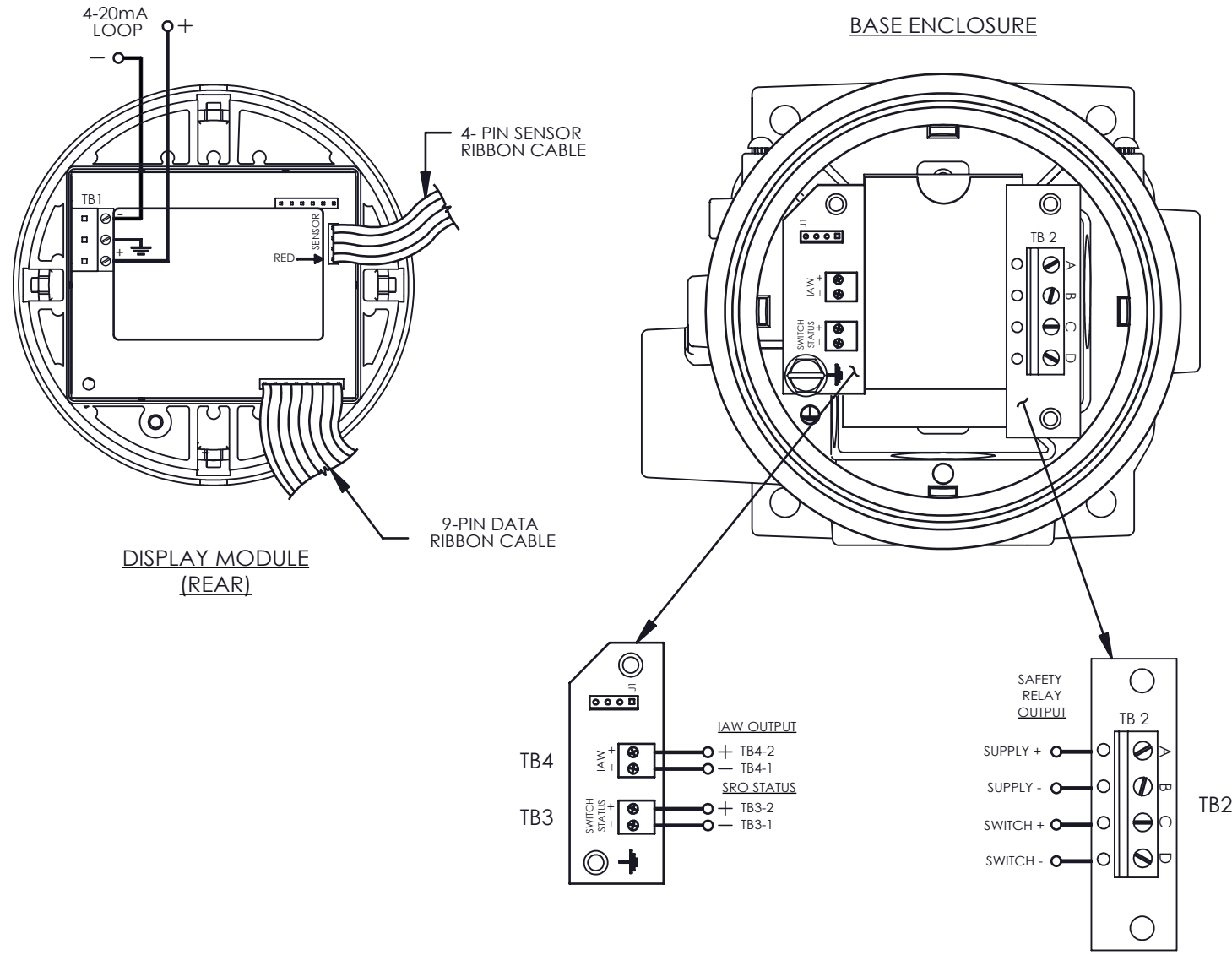
A-14060

UNLESS OTHERWISE SPECIFIED
DIMENSIONS ARE IN INCHES
TOLERANCES ON FRACTIONS ±1/64
2 PLACE DEC 3 PLACE DEC ANGLES
±0.010 ±0.005 ±1/2°
DO NOT SCALE THIS DRAWING

SCALE 1:1

THIS DOCUMENT IS PROPRIETARY PROPERTY OF UNITED ELECTRIC CONTROLS. UNAUTHORIZED USE IS STRICTLY PROHIBITED.	A	E6082	FIRST ISSUE	5-24-17	RAM	RAM
REV.	ECN#	DESCRIPTION		DATE	DRWN	APPD

2SLP49 WIRING DIAGRAM



ORIGINAL DATE	5-24-17
DRWN	R. McCarey
CHKD	SR
APPD	R. McCAREY
UNLESS OTHERWISE SPECIFIED DIMENSIONS ARE IN INCHES TOLERANCES ON FRACTIONS ±1/64 2 PLACE DEC 3 PLACE DEC ANGLES ±0.010 ±0.005 ±1/2°	
DO NOT SCALE THIS DRAWING	

TITLE	2SLP49 DIFFERENTIAL PRESSURE SAFETY XMITTER
SCALE	1:1

UE
UNITED ELECTRIC
CONTROLS COMPANY
WATERTOWN * MASSACHUSETTS

DWG NO A-14060 Page 2 of 2

THIS DOCUMENT IS PROPRIETARY PROPERTY OF UNITED ELECTRIC CONTROLS. UNAUTHORIZED USE IS STRICTLY PROHIBITED.		A	E6082	FIRST ISSUE	5-24-17	RAM	RAM
REV.	ECN#	DESCRIPTION			DATE	DRWN	APPD