

INDUSTRIAL AREAMASTER™ GENERATION 2 LED

- Three lumen outputs provide up to 19,500 lumens.
- Choice of optics for optimal light distribution in a variety of applications.
- Separate field wiring compartment with screw terminal block for easy and secure connection (can accept UL/CSA 26-10AWG).
- Two 3/4" NPT entries provided.
- Yoke bracket is designed to accommodate traditional Areamaster brackets and slipfitters for easy retrofit.
- Choice of color temperature (CCT); 5000K cool white or 3000K warm white.
- Rugged and compact housing with superior thermal design translates to long luminaire life.
- Heavy duty, high temperature silicone rubber gaskets.
- Thermal shock and impact resistant clear or frosted glass lens.
- Standard 6KV surge protection.
- Captive fasteners secure one piece lens.
- Field replaceable LED driver and lens cover.

SUITABLE LOCATIONS

- Powerful, efficient weatherproof lighting for applications such as:
 - Security lighting
 - Production facilities
 - Warehouses
 - Processing plants
 - Storage areas
 - Parking garages and lots

OPTIONS

- Safety cable with multiple retention points, purchase separately
- Guard and visor available, purchase separately
- Slip-fitters and mounting brackets available for easy pole or wall mounting
- 10KV Surge Protection

STANDARD MATERIALS

- Housing and lens door: copperfree (4/10 of 1% max.) aluminum
- Gaskets: silicone rubber
- Yoke: zinc plated HR steel
- Bolts: stainless steel
- Close up plugs: (1) aluminum provided
- Guard and safety cable: stainless steel
- Visor: Aluminum

STANDARD FINISHES

- Housing, lens cover and yoke mount: architectural bronze polyester

NEC/CEC RATINGS

- Marine Outside Type (Salt Water) for USA ONLY
- Wet Locations
- Type 3R, 4, 4X, IP66/67

RELATED PRODUCTS

- Round Tapered Steel Poles
- Hinged Steel Poled
- Square Tapered Steel Poles
- Square Steel Poles
- Floodlight Mounting Brackets

DESIGNLIGHTS™ CONSORTIUM

- All models

Product Ordering Guide | Areamaster Generation 2 LED

IAMLG
|
Series:
IAMLG:
Industrial Areamaster
Generation 2 LED

LZ
|
Lumen Level:
L6- 9K
L7- 15K
L8- 19K

C
|
Color Temp CCT:
C - 5000K
W - 3000K

G
|
Diffusion:
G - Clear Glass
F - Frosted Glass

Z
|
Beam Spread:
6 - 7x7 (non-optic)
7 - 7x6

BU
|
Voltage:
BU - 120-277 Vac 50/60 Hz,
170-300 Vdc
BH - 347-480 Vac 50/60 Hz

S
|
Options:
F- Fusing
S - 10 KV Surge Protection

APPLETON

For product information:
www.appletonelec.com
1.800.621.1506

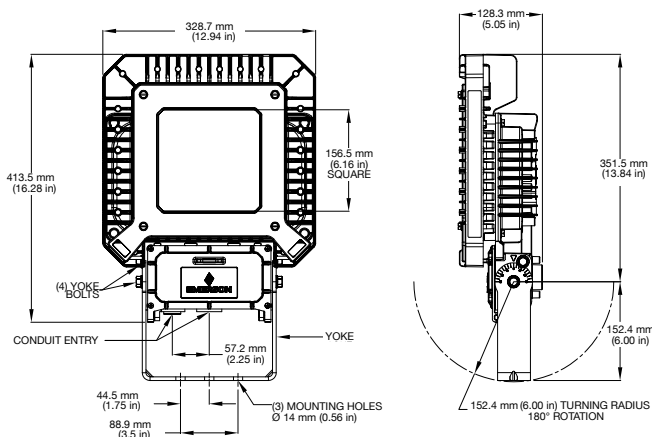


EMERSON. CONSIDER IT SOLVED.™

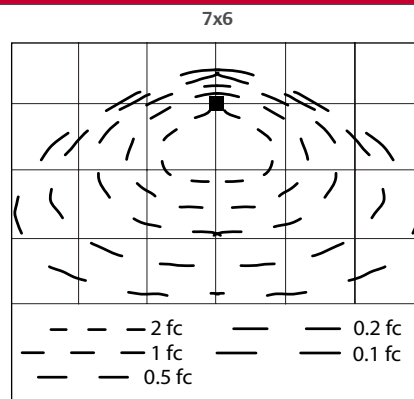
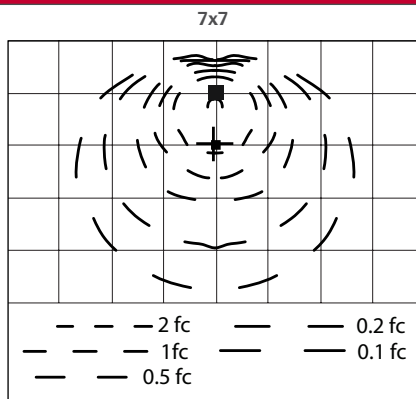
		IAMLGL6	IAMLGL7	IAMLGL8
Equivalent to HPS/PSMH		175-250 Watt	250-400 Watt	400-750 Watt
Input Power		70 Watt	110 Watt	150 Watt
Voltage Range	BU	120-277 Vac, 50/60 Hz, 170-300 VDC	120-277 Vac, 50/60 Hz, 170-300 VDC	120-277 Vac, 50/60 Hz, 170-300 VDC
	BH	347-480 Vac, 50/60 Hz	347-480 Vac, 50/60 Hz	347-480Vac, 50/60 Hz
Luminous Flux (Efficacy)Ⓞ for 5000K Clear	7x7	9900 (141)	15300 (139)	19900(133)
	7x6	9000 (129)	14200 (129)	18400 (123)
Correlated Color Temperature (CCT)		3000K/5000K	3000K/5000K	3000K/5000K
Color Rendering Index (CRI)		80/70	80/70	80/70
Ambient Temperature (NEC/CEC)		-40 °C (-40 °F) to +65 °C (+149 °F)	-40 °C (-40 °F) to +65 °C (+149 °F)	-40 °C (-40 °F) to +65 °C (+149 °F)
Luminaire Weight		9.8 kg (22lb)	9.8 kg (22lb)	9.8 kg (22lb)
Standard Materials		Housing: copperfree aluminum		
		Finish: architectural bronze polyester		
Lifetime		Lens: thermal shock- and impact-resistant glass or optional frosted glass		
		>100,000 hours @ +40°C (+104°F) ambient temperature		
Warranty		>60,000 hours @ +65°C (+149°F) ambient temperature		
		5 years standard; 10 years for models with secondary optic and extra surge protection		

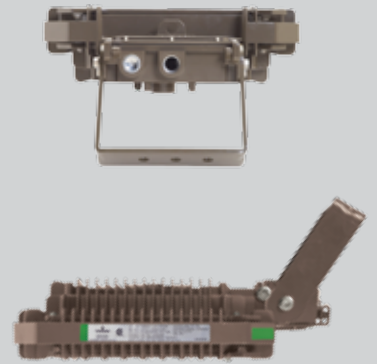
Ⓞ All values typical +/-10%

Luminaire Category	Image	Effective Projected Area (EPA) = FPA*DC ft²
90° to Ground-Worst Case Mounting		1.82
45° to Ground-Standard Mounting		1.28



Photometric Data





INDUSTRIAL AREAMASTER™ GENERATION 2 HL LED

- Three lumen outputs provide up to 38,000 lumens.
- Choice of optics for optimal light distribution in a variety of applications.
- Separate field wiring compartment with screw terminal block for easy and secure connection (can accept UL/CSA 26-10AWG).
- Two ¾" NPT entries provided.
- Yoke bracket is designed to accommodate traditional Areamaster brackets and slipfitters for easy retrofit.
- Choice of color temperature (CCT); 5000K cool white or 3000K warm white.
- Rugged and compact housing with superior thermal design translates to long luminaire life.
- Heavy duty, high temperature silicone rubber gaskets.
- Thermal shock and impact resistant clear or frosted glass lens.
- Standard 6KV surge protection.
- Captive fasteners secure one piece lens.
- Field replaceable LED driver and lens cover.

OPTIONS

- Safety cable with multiple retention points, purchase separately
- Guard and visor available, purchase separately
- Slip-fitters and mounting brackets available for easy pole or wall mounting
- 10KV Surge Protection

SUITABLE LOCATIONS

- Powerful, efficient weatherproof lighting for applications such as:
 - Security lighting
 - Production facilities
 - Warehouses
 - Processing plants
 - Storage areas
 - Parking garages and lots
- IP66/IP67, Type 4X, marine and wet locations
- Locations requiring dependable, consistent lighting in extreme hot/cold temperature environments. -40 °C to +65 °C (-40 °F to +149 °F) ambient temperature range

STANDARD MATERIALS

- Housing and lens door: copperfree (4/10 of 1% max.) aluminum
- Gaskets: silicone rubber
- Yoke: zinc plated HR steel
- Bolts: stainless steel
- Close up plugs: (1) aluminum provided
- Guard and safety cable: stainless steel
- Visor: Aluminum

STANDARD FINISHES

- Housing, lens cover and yoke mount: architectural bronze polyester

NEC/CEC RATINGS

- Marine outside type (salt water) for USA Only
- Wet locations
- Type 3R, 4, 4X
- IP66/67

RELATED PRODUCTS

- Round Tapered Steel Poles
- Hinged Steel Poled
- Square Tapered Steel Poles
- Square Steel Poles
- Floodlight Mounting Brackets

DESIGNLIGHTS™ CONSORTIUM

- All models

Product Ordering Guide | Areamaster Generation 2 HL LED

IAMLH
|
Series:
IAMLH
Industrial Areamaster 2
HL LED

L1
|
Lumen Level:
L1- 24K
L2- 30K
L3- 38K

C
|
Color Temp CCT:
C - 5000K
W - 3000K

G
|
Diffusion:
G - Clear Glass
F - Frosted Glass

Z
|
Beam Spread:
5 - 5x5
6 - 7x7 (non-optic)
7 - 7x6

BU
|
Voltage:
BU - 120-277 Vac 50/60 Hz,
170-300 Vdc
BH - 347-480 Vac 50/60 Hz

S
|
Options:
F- Fusing
S - 10 KV Surge Protection

APPLETON™

For product information:
www.appletonelec.com
1.800.621.1506


EMERSON™

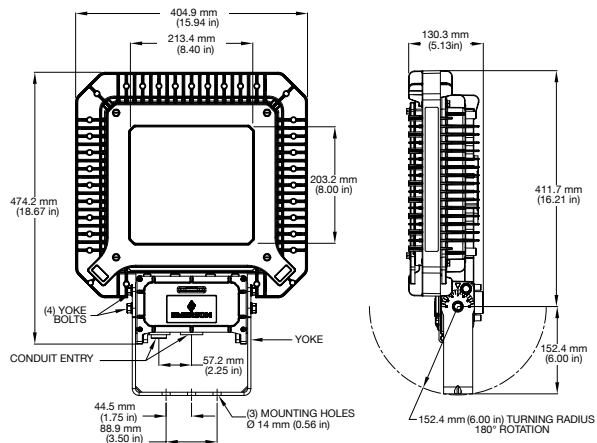
EMERSON. CONSIDER IT SOLVED.™

INDUSTRIAL AREAMASTER™ GENERATION 2 HL LED

		IAMLHL1	IAMLHL2	IAMLHL3
Equivalent to HPS/PSMH		1000 Watt	1000-1500 Watt	1500 Watt
Input Power		180 Watt	225 Watt	310 Watt
Voltage Range	BU	120-277 Vac, 50/60 Hz, 170-300 Vdc	120-277Vac, 50/60 Hz, 170-300 Vdc	120-277 Vac, 50/60 Hz, 170-300 Vdc
	BH	347-480 Vac, 50/60 Hz	347-480 Vac, 50/60 Hz	347-480 Vac, 50/60 Hz
Luminous Flux (Efficacy)* for 5000K Clear	7x7	23,500 (131)	30,100 (134)	37,000 (119)
	7x6	22,700 (126)	28,100(125)	35,400(114)
	5x5	24,100 (134)	30,000 (133)	38,300 (124)
Correlated Color Temperature (CCT)		3000K/5000K	3000K/5000K	3000K/5000K
Color Rendering Index (CRI)		80/70	80/70	80/70
Ambient Temperature (NEC/CEC)		-40 °C (-40 °F) to +65 °C (+149 °F)	-40 °C (-40 °F) to +65 °C (+149 °F)	-40 °C (-40 °F) to +55 °C (+131 °F)
Luminaire Weight		16.1 kg (35.4 lb)	16.1 kg (35.4 lb)	16.1 kg (35.4 lb)
Standard Materials		Housing: copperfree aluminum		
		Finish: architectural bronze polyester		
		Lens: thermal shock- and impact-resistant glass or optional frosted glass		
Lifetime		>100,000 hours @ +40 °C (+104 °F) ambient temperature		
		>60,000 hours @ +65°C (+149 °F) ambient temperature		
Warranty		5 years standard; 10 years for models with secondary optic and extra surge protection		

① All values typical +/-10%

Luminaire Category	Image	Effective Projected Area (EPA) = FPA * DC ft²
90° to Ground-Worst Case Mounting		2.45
45° to Ground-Standard Mounting		1.73



Photometric Data

