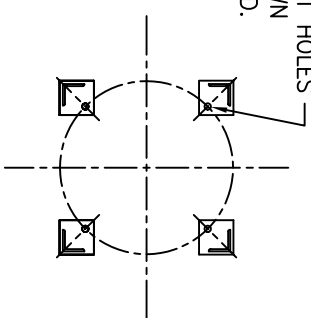
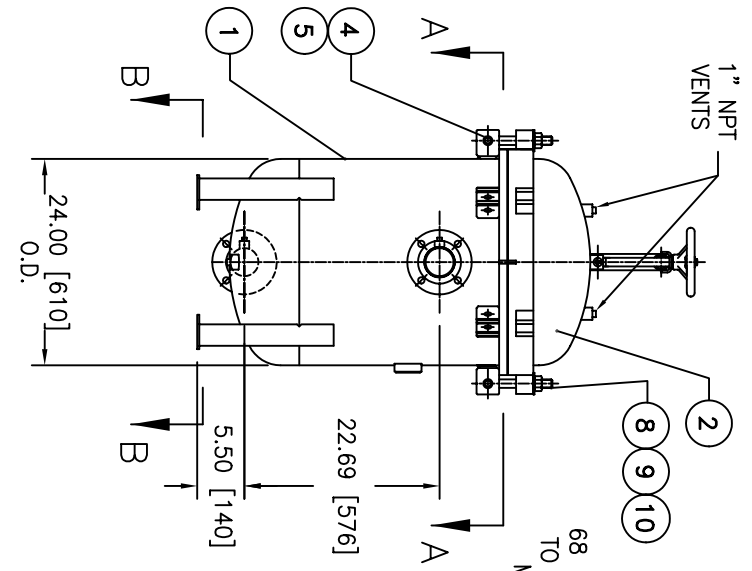


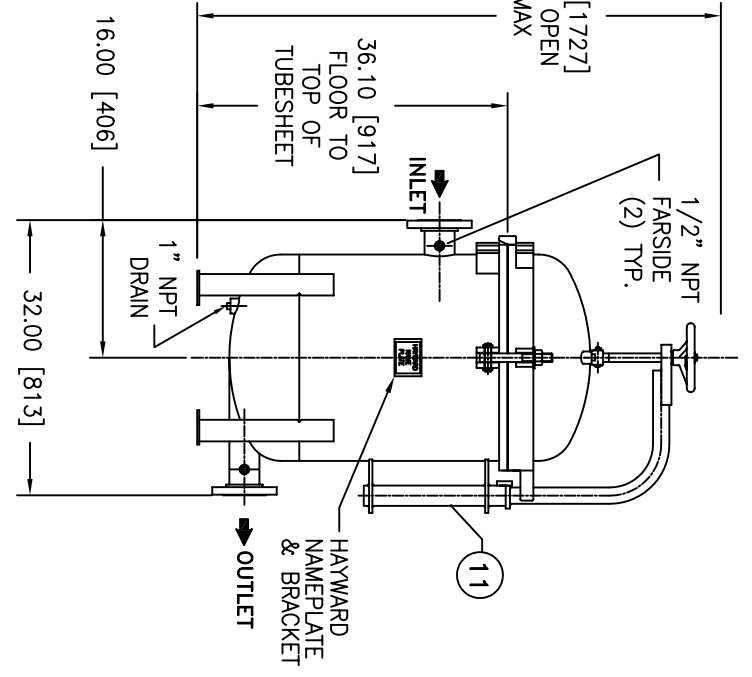
(4) 3/4" DIA BOLT HOLES
LOCATED AS SHOWN
ON 20-1/8" B.C.D.



SECTION A-A



SECTION B-B



ITEM	PART NAME	MATERIAL
1	BODY	SA53 GR E/B
2	COVER	SA516 GR 70
3	O-RING	BUNA-N
4	PIN	SA193 B7 ZINC PL
5	SNAP RING	STEEL ZINC PL
6	BASKET RESTRAINER	316 SS
7	FILTER BAG RETAINER	316 SS
8	EYE BOLT	SA193 B7 ZINC PL
9	HEX NUT	SA194 2H ZINC PL
10	WASHER	STEEL ZINC PL
11	COVER DAVIT MECHANISM	CARBON STEEL

NOTES:

1. UNITS ARE TO BE DESIGNED, FABRICATED & "U" STAMPED IN ACCORDANCE WITH ASME SECT. VIII, DIV. 1 BOILER & PRESSURE VESSEL CODE, IN COMPLIANCE TO LATEST ADDENDA.
2. INLET / OUTLET FLANGE CONNECTIONS PER ANSI B 16.5.
3. DESIGN PRESSURE: 150 PSI (MAMP)
DESIGN TEMPERATURE 250° F.
MDMT -- -20° F @ 150 PSI.
4. ALL DIMENSIONS ARE IN INCHES / [MM].
5. ALL BOLT HOLES ARE TO STRADDLE NATURAL CENTERLINES.
6. APPROX. WEIGHT (DRY) 400 LB. (181 KG.)

GAF and the GAF logo are registered trademarks of GAF Corporation in the United States, and are used under license.

ELECTRONIC FILE NAME: HD0403TC.DWG
REF. ECR 9926
DATE 04/05/02

UNAUTHORIZED USE, MANUFACTURE OR REPRODUCTION IN WHOLE OR IN PART IS PROHIBITED. DRAWING, DESIGN AND OTHER DISCLOSURES PROPERTY OF HAYWARD INDUSTRIAL PRODUCTS, INC.

DRAWN	FJM	DATE	8/17/01	CERT.	VH	DATE	8/17/01
SIZE	DWG NO	HDO403TC		REV	C		



HAYWARD INDUSTRIAL PRODUCTS, INC.
Manufactures of LOEFLEER FILTRATION & GAF FILTER SYSTEMS
900 FAIRMOUNT AVENUE, ELIZABETH, NEW JERSEY 07207

NAME: MAXLINE MBF0402HD FILTER VESSEL
3" 150# RF INLET/TANGENTIAL OUTLET
CARBON STEEL

CERTIFIED FOR:
P.O. NO.:
REG. NO.:
QUOTE NO.:
TAG NO.:
VESSEL CODE: MBF-0402-CS10-030A-UT-11HD
HAYWARD PART NO.: F3AV0400101