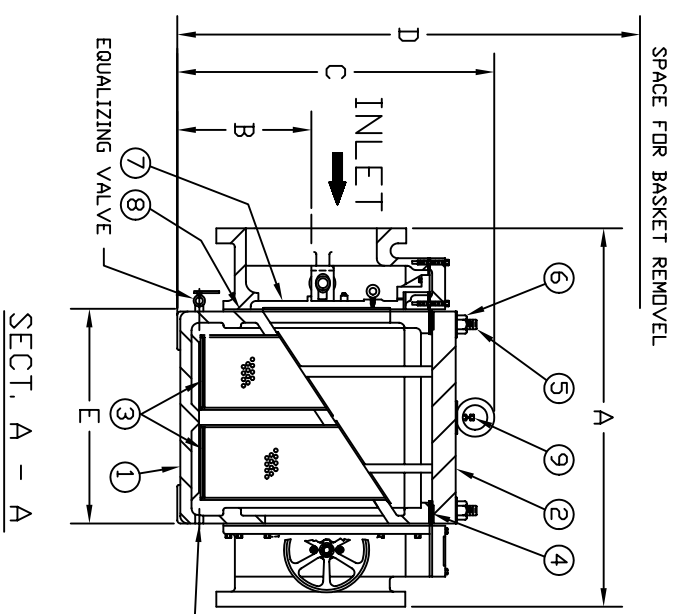
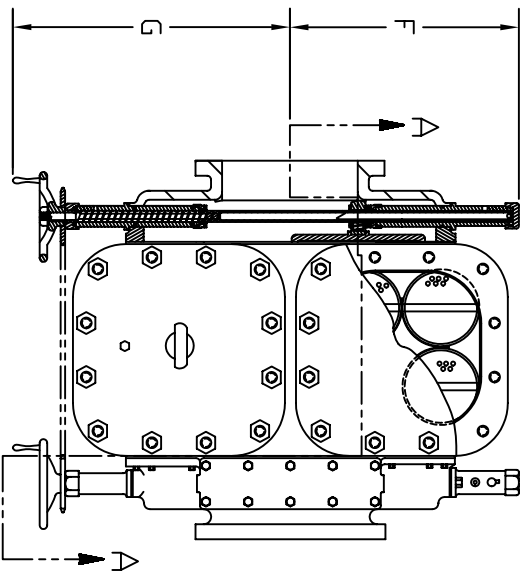


PIPE SIZE (NOMINAL)	DIMENSIONS							WEIGHTS	
	A IN. MM.	B IN. MM.	C IN. MM.	D IN. MM.	E IN. MM.	F IN. MM.	G IN. MM.	LBS. KGS.	PART NO.
8" (200mm)	38.50 / 978	8.25 / 210	20.50 / 521	38.00 / 965	18.25 / 464	18.00 / 457	28.50 / 724	1410 / 641	5700800050
10" (250mm)	40.50 / 1029	10.38 / 264	23.75 / 603	44.00 / 1118	20.50 / 521	20.25 / 514	30.50 / 775	1880 / 855	5701000050
12" (300mm)	43.50 / 1105	13.50 / 343	29.25 / 743	52.00 / 1321	23.00 / 584	23.38 / 594	32.50 / 826	2604 / 1184	5701200050
14" (350mm)	46.25 / 1175	15.75 / 400	31.63 / 803	60.00 / 1524	24.88 / 632	25.56 / 649	35.00 / 889	3006 / 1366	5701400050
16" (400mm)	49.63 / 1261	17.81 / 458	35.00 / 889	66.00 / 1676	28.13 / 715	27.75 / 705	37.50 / 953	4350 / 1977	5701600051
20" (500mm)	64.00 / 1626	26.63 / 676	45.75 / 1162	88.00 / 2235	33.75 / 857	34.00 / 864	43.75 / 1111	10000 / 4545	5702000050
24" (600mm)	67.75 / 1721	29.50 / 749	53.00 / 1346	98.00 / 2489	36.63 / 930	40.38 / 1026	49.50 / 1257	11440 / 5200	5702400051



NO.	PART NAME	MATERIAL
1.	BODY	CAST IRON
2.	COVER	CARBON STEEL
3.	BASKET PERF. MESH	
4.	GASKET	NON-ASBESTOS
5.	STUDS	STEEL
6.	NUTS	STEEL
7.	VALVE DISC	CAST IRON
8.	VALVE SEAT	STAINLESS STEEL
9.	VENT VALVE	BRONZE

NOTES:
 1. INLET/OUTLET 125# FLAT FACE FLANGE PER ANSI B16.1 STANDARDS.
 2. MAX. WORKING PRESSURE: 125 PSI @ 100° F (8.6 BAR @ 37.8° C)

CERTIFIED FOR:
 P.D. NO.:
 REG. NO.:
 QUOTE NO.:
 TAG NO.:

ELECTRONIC FILE NAME: SD570111.DWG
 REF. ECR D783 DATE 3/6/06
 UNAUTHORIZED USE, MANUFACTURE OR REPRODUCTION IN WHOLE OR IN PART IS PROHIBITED. DRAWING, DESIGN AND OTHER DISCLOSURES PROPERTY OF EATON FILTRATION, LLC

		EATON FILTRATION, LLC 900 FAIRMOUNT AVENUE, ELIZABETH, NEW JERSEY 07207	
		MODEL 570 DUPLEX STRAINER 125# FLAT FACE FLANGE SIZES 8" THRU 24" CAST IRON	
DRAWN FM DATE 1/25/95	DATE 1/25/95	CERT. LF	DATE 1/25/95
SIZE A DWG NO.	SD570111		REV C