

# Scanner Model 3100 Flow Computer

Advanced measurement and wireless automation

## Applications

- Gas pipelines
- Well sites
- Oil flow lines

## Features

- Measures net quantities of
  - Hydrocarbon liquids
  - Gasses
  - Water
- EFM/RTU monitoring and control
- Custody transfer precision

## Benefits

- Highly scalable
- Cost efficient deployment features and alternatives

- Bi-directional measurement of two integral flow streams
- Capacity to manage up to 20 external flow streams
- Measurement and control of industrial and hydrocarbon gases and liquids
- Computation of standard volume, mass, and energy
- Daily, interval (1 second to 12 hours), and triggered (1-second) logs
- Display and storage of data (configuration, real-time, and historical) for networked Scanner\* Series 2000 flow computers
- Gas chromatograph support
- Ethernet and serial communications
- Lithium backup power (no power redundancy system necessary)
- On-board storage for more than 5 years of daily records, 3 years of hourly records<sup>†</sup>, and 98,000 events

<sup>†</sup> Based on 14-parameter logs. Log capacity varies with the number of parameters selected and logging frequency.

## Web-based configuration and data monitoring

- Configure the device from a web browser (no configuration software or plug-ins to install)
- Monitor data for the Scanner Model 3100 flow computer, and all networked slave devices from a single access point
- No firmware/software compatibility concerns
- Built-in on-screen help

## Free supplementary software

Our complimentary software suite provides valuable tools for displaying, sharing, and customizing data to a user's specific needs. Functions include:

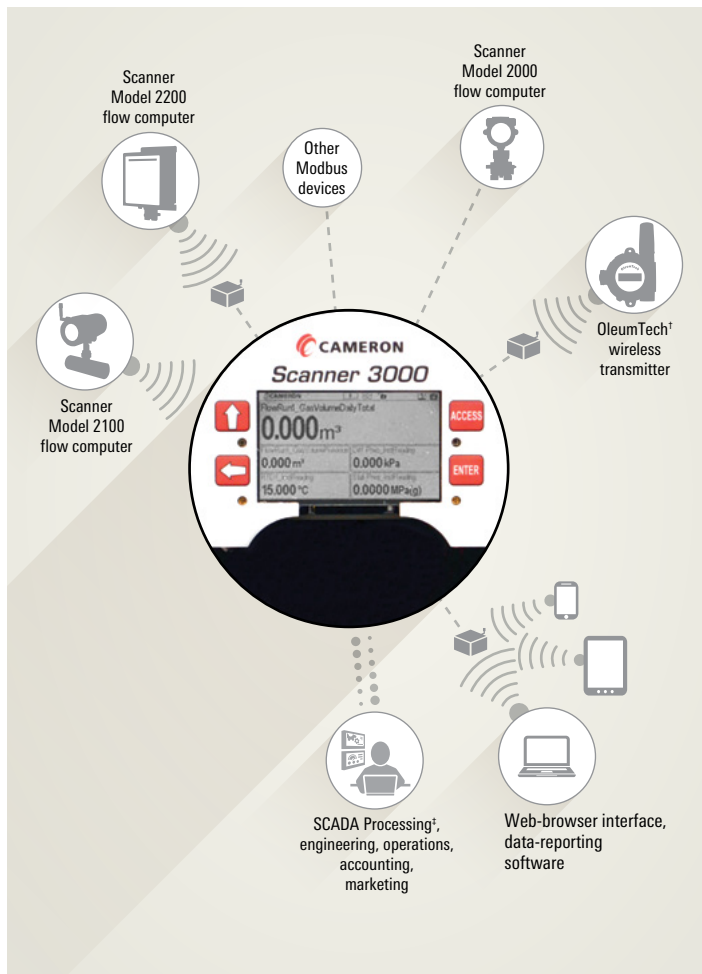
- Standard and custom reports
- Data export to common file formats
- Creation of custom Modbus<sup>®</sup> register maps
- Firmware and configuration file uploads



*The Scanner Model 3100 flow computer is four devices in one: flow computer, network manager, process controller, and RTU.*



# Scanner Model 3100 Flow Computer

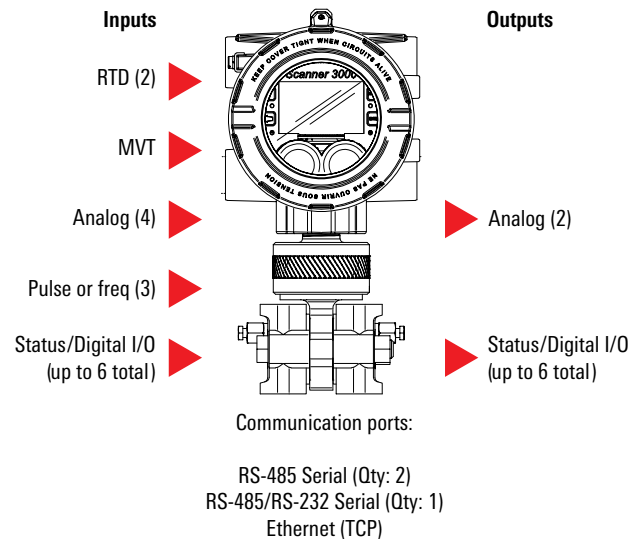


## Flow computer/RTU/controller

The Scanner Model 3100 flow computer supports two integral flow runs, 17 inputs/outputs, and Ethernet and serial communications. To reduce field installation costs, use the Scanner flow computer pre-mounted on a Cameron orifice, cone, or turbine meter with an integral multivariable sensor. Alternatively, the Scanner flow computer can be field-coupled to these meters or other compatible metering equipment.

Reduce operation uncertainty by using the Scanner flow computer's innovative high-resolution log to capture process values following an unplanned process event.

Two independent PID controllers supported by the analog output circuitry provide automated control of a valve or other control device. A primary variable can be controlled with or without a pressure override, allowing users to manage two variables with one output. The primary variable can be flow, temperature, level, or any other variable that is measurable using the flow computer.



† Offered in association with OleumTech Corporation

‡ Compatible with eFCAS (a Cameron SCADA solution offered in association with CPU, LLC) and other SCADA products

## Network manager

When multiple points of measurement are required, the Scanner Model 3100 flow computer's distributed flow computing platform and optional wireless communications create a scalable automation solution capable of supporting up to 22 flow streams.

- Automatically integrates up to 20 wired and/or wireless Scanner flow computers
- Inherent protection from data loss (data is stored at the point of measurement before being copied to the Scanner Model 3100 flow computer)
- Communicates wirelessly with Scanner Model 2100 flow computer EFM via SmartMesh† radio

- Data management and protocol customization software simplifies SCADA integration with an established host
- Supports Ethernet communications to a host computer
- Communicates with radios, modems, chromatographs, and other peripheral devices via high-speed serial communications

For more information about networking capabilities, see the Scanner Flow Computer Solutions brochure.

## Modbus integration

The Scanner Model 3100 flow computer communicates via Modbus slave and master protocols. When acting as a slave device, the Scanner flow computer responds to queries

via Enron Modbus, Modbus TCP, and Modbus RTU. Using master protocol, it can be deployed in a central computing architecture to collect differential pressure, pressure, temperature, and other input variables via cable-saving multidrop RS-485 technology.

The Scanner Model 3100 flow computer can collect up to 384 data points from Modbus devices such as Cameron 800 series pressure transmitters. Its Modbus master functionality provides connectivity to wireless transmitter gateways servicing WirelessHART, ISA100, OleumTech, and other protocols.

# Scanner Model 3100 Flow Computer

<b>Approvals</b>	CSA (US and Canada) Class I, Div. 1, Groups C and D, T4 Type 4 weatherproof <sup>1</sup> protection ATEX/IECEx Ex d [ia Ga] ib IIC T5 Gb Ex tb [ia Da] ib IIC T100 degC Db IP66 protection from dust, water ANSI 12.27.01 single seal (MVT ≤ 3,000 psi) ASME Pressure Vessel Code (MVT ≤ 3,000 psi); CRN OF10472.5C
<b>Environmental safety</b>	Relative humidity 0% to 95% non-condensing Altitude: Up to 2,000 meters
<b>Enclosure</b>	Cast aluminum (less than 0.05 % copper), painted with epoxy and polyurethane Double-ended with single window 5 conduit ports, 3/4-in female national pipe thread taper (FNPT) connections
<b>System power</b>	External user-provided power supply (9 to 30 VDC, 150 mA) with backup power supplied by two replaceable 7.2V lithium battery packs (air transport regulations apply)
<b>Real-time clock</b>	Accurate within 2 min/year over temperature range Lithium coin cell battery maintains clock during loss of system power (lithium content: 0.11 g)
<b>Processor</b>	32-bit dual-core ARM Cortex M4
<b>Operating temperature</b>	-40 to 70 degC [-40 to 158 degF] LCD contrast is reduced below -30 degC [-22 degF]
<b>LCD display/ keypad</b>	2.7-in diagonal graphic display, 400 × 240 pixels 0.3-in high characters Displays up to 32 user-defined parameters, five at a time, with auto-scrolling Battery level indicators Wireless radio indicator Configurable background (dark or light) 4-button keypad for advancing display, viewing communication settings
<b>Memory</b>	2.18 MB RAM for processing 512 kB non-volatile memory for configuration data 32+1 MB on-board system flash memory 48 MB on-board archive flash memory
<b>Meter types</b>	Turbine meter Cone meter Orifice meter Ultrasonic meter Positive displacement meter Coriolis meter Venturi meter

<sup>1</sup>Weatherproof as defined by CEC and NEC codes.

<b>Download types</b>	<b>Per device</b> Complete (all records including slave device records as applicable) Local (integral flow records in a condensed file, ideal for emailing) Events Triggered (1-second) logs (includes PID tuning)
	<b>Per flow run</b> Daily Interval (hourly) Recent (past 7 days of interval logs)
	<b>Slave logs</b> Daily Interval (hourly) Recent (past 7 days of interval logs)
<b>Archive capacity per integral flow run</b>	Up to 59 archivable parameters per flow run; Up to 19 archivable parameters per triggered log Daily logs: 2,048 Interval logs (configurable, 1 second to 12 hours): 24,576 hourly (2.8 years) with 14 parameters; 6,144 hourly (1 year) with 59 parameters Triggered logs: 1,351,680 with 1 parameter 135,168 with 19 parameters Configurable to log periodically (1 second to 12 hours), on a real-time period (daily, weekly, etc.), on device alarm, on digital input, or by remote user activation Event logs: 98,304 records Downloadable via FTP, HTTP (web interface), or Enron Modbus protocol (see Scanner Data Manager for information on viewing data files) Logs stored in non-volatile memory for up to 10 years
<b>Slave archive capacity</b>	Daily logs: 768 per slave device Interval logs: 11,264 hourly per slave device
<b>Communications/archive retrieval</b>	<b>Wireless</b> Optional SmartMesh radio, external antenna available. See "Hardware options" on page 6. <b>Wired RS-485</b> Two dedicated ports (1 and 2) One shared RS-485/RS-232 port (3) Software-selectable 120-termination resistor Selectable master or slave protocols <b>Wired RS-232</b> Shared RS-485/RS-232 port (port 3) TXD, RXD, RTS, CTS Time-of-day digital output configuration <b>Ethernet/TCP</b> One RJ-45 connection supports 2 TCP/IP user-configurable ports with selectable slave protocols Continuous use requires external power Supports 10/100 Mbits/second <b>Port pass-through</b> Any communication port can be routed to another. Ethernet can be bridged to serial communications for remotely interfacing with connected Modbus devices. (For example, Scanner flow computer slave devices can be configured via ModWorX Pro software without changing wiring connections.)
<b>Flow rate calculations</b>	<b>Gases:</b> AGA-3 (1992 and 2012), ISO 5167-2 (2003), ASME MFC-14M (2003), AGA-7 <b>Liquids:</b> API MPMS 5.3, AGA-3, ISO 5167, AGA-7
<b>Fluid property calculations</b>	<b>Gases:</b> AGA-8, AGA-3, AGA-5, GPA 2145-09, GERG-08, SGERG-88 <b>Liquids:</b> API MPMS 11.1 (2004)

# Scanner Model 3100 Flow Computer

<b>Liquid compensation and correction factors</b>	Temperature and pressure compensation
	Meter factor compensation
	Shrinkage factor compensation
	Live BS&W correction
	Live density correction
<b>Flow streams</b>	Dynamic oil fraction (watercut) is derived from flowing density or watercut analyzer; automatic base density updates from flowing density measurement
	Two integral compensated flow runs
	Up to 20 remote flow runs via local area Scanner flow computer network
	Three additional integral flow runs for uncompensated measurement via pulse/frequency inputs
	Up to eight gas streams using gas chromatograph inputs or user-entered compositions
	16-point calibrations for all inputs (linear factor, multipoint, and multi-point meter factor calibrations supported)
	Bi-directional flow measurement
<b>Analog inputs</b>	Stacked inputs for rangeability
	4 channels
	1-5 V, 0-5 V, 4-20 mA, or 0-20 mA
	Accuracy $\pm 0.030\%$ of span max. error at 25 degC [77 degF]
	Temperature effect $\pm 0.25\%$ of span over operating range
	Impedance > 60 Kohm for 1-5V input; approximately 250 ohm for 4-20 mA input
	Over-voltage protection $\pm 30$ VDC
	A/D resolution 22 bits
	Linearity error $\pm 0.020\%$ max.; $\pm 0.010\%$ typical
	Single-ended inputs
	Sample rate: 0.1 seconds to 12 hours
<b>RTD inputs</b>	Four previous calibrations available for restore
	Configurable shut-off for saving power when transducer warm-up period is not required
	Integral battery backup
	2 channels
	100-ohm platinum RTD with 2-wire, 3-wire, or 4-wire interface
	Range: -40 to 427 degC [-40 to 800 degF]
	Accuracy: 0.2 degC [36 degF] over sensing range at calibrated temperature
<b>Pulse/frequency (TFM) inputs</b>	Temperature effect $\pm 0.3$ degC [0.54 degF] over operating range
	A/D resolution 24 bits
	Sample rate: 0.1 seconds to 12 hours
	Configurable shut-off for saving power when transducer warm-up period is not required
	3 channels
	Maximum voltage: 30 VDC
	Maximum frequency: 10,000 Hz
	Gated transmitter power for each input channel
	Transmitter voltage supply: 10 VDC at 20 mA, protected to 50 mA
	TFM channel 3 has no sleep mode and increased power consumption
<b>User interface</b>	Measures uncorrected gas or liquid volume from a turbine, PD, Coriolis, or ultrasonic meter; measures mass from a Coriolis meter
	Accepts contact closure, open collector, or DC pulse (3-30 VDC) outputs, and turbine magnetic pickup outputs
	Configurable turbine sensitivity (20, 50, 100 mV, peak-to-peak)

<b>Analog outputs</b>	2 channels	
	Type 4 to 20 mA, optically isolated, externally powered	
	Accuracy (after calibration) $\pm 0.1\%$ of span max. error at 25 degC [77 degF]	
	50 ppm/degC [27.8 ppm/degF] temperature drift	
	Output load R (ohms) = {supply (volts) - 5.5} / 0.02	
	Maximum voltage: 30 VDC	
	D/A resolution: 16 bits	
	Calibration (zero and full-scale) via software	
	Programmable output alarm value for use during loss of power or communication to CPU	
	Regulates control valve in PID control applications	
<b>Digital I/O</b>	6 channels, user configurable as input or output	
	DIO1, DIO2, DIO3, and DIO4 are optically isolated with a max. output of 60 mA at 30 VDC	
	DIO5 and DIO6 are non-isolated with a max. output of 500 mA at 30 VDC	
	<b>Input types</b>	Control switch
		Pulse
		Open collector
		Contact closure
	<b>Special functions</b>	Advance display
		Turn transmitter on/off
		Reset flow run totals
Reset pulse input totals		
Unlatch DIOs		
Reset trigger archive		
<b>Output modes</b>	Pulse (based on pulse count or time period)	
	Alarm (based on the status of any or all selected alarms—up to 32 user-configured alarms are selectable)	
	Conditional (value above or below setpoint, out of setpoint range)	
	Programmed (time of day or output state—normally open/normally closed)	
	<b>Pulse output</b>	Maximum frequency: 50 Hz
Configurable pulse duration (10 ms to 1 day)		
Configurable pulse representation (1 pulse = 1 MCF) based on time or volume		
<b>Alarm output</b>	Based on any accumulator (flow run or turbine meter run)	
	Low/high	
	Out-of-range	
	Status/diagnostic	
	<b>User interface</b>	Web browser based (access via laptop, tablet, smart phone)
Complete configuration, calibration, and maintenance of flow runs, I/O, and gas streams		
Real-time data polling and data downloads		
Recent interval and daily logs (up to 7 days) viewable in interface (other historical logs viewable in Scanner Data Manager)		
Three user security levels, up to 20 operators		
Configuration of Modbus slave/master communications		

# Scanner Model 3100 Flow Computer

## MVT specifications

- Linearized measurements for static pressure and differential pressure
- Measures pressure in absolute and displays in gauge
- Standard MVT has bottom ports, ideal for gas measurement
- Can be inverted for liquid measurement (LCD auto-corrects for easy viewing)<sup>†</sup>
- Process temperature: -40 to 250 degF [-40 to 121 degC]
- User-adjustable sample time and damping
- Complies with pre-qualified materials of NACE MR0175/ISO 15156<sup>‡</sup>

<sup>†</sup> Side port MVT for liquid measurement is available by special order.

<sup>‡</sup> This certification does not imply or warrant the application of the MVT in compliance with NACE MR0175/ISO 15156 service conditions in which the MVT is installed.

## MVT Accuracy

Differential pressure	± 0.05% of range for all except 30-in H <sub>2</sub> O ± 0.1% of range for 30-in H <sub>2</sub> O
Static pressure	± 0.05% of range
Temperature effect	± 0.25% of full scale over operating range
Stability (long-term drift)	Less than ± 0.05% of URL per year over a five-year period
Resolution	24 bits

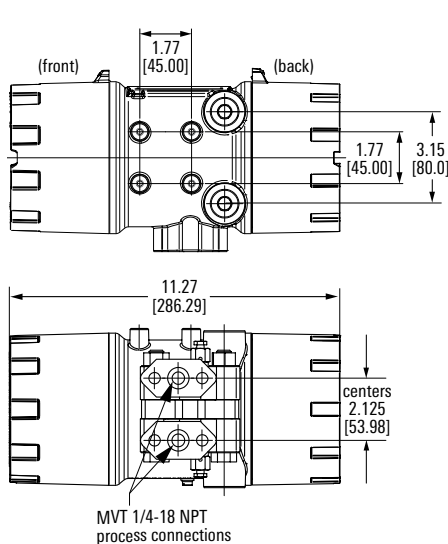
## Effect on Differential Pressure for a 100-psi Pressure Change

Differential pressure range <sup>†</sup> , in H <sub>2</sub> O	Zero shift, % URL	Span shift, % reading
± 30	.05	.01
± 200 <sup>‡</sup>	.01	.01
± 400	.04	.01
± 840	.04	.01

<sup>†</sup> ± indicates bi-directional capabilities. Example: A range of 30 in H<sub>2</sub>O is -30 to +30 H<sub>2</sub>O.

<sup>‡</sup> 200 psi × 300 psi has a zero shift of .007% and a span shift of 0.01%.

## Dimensions and weight



Dimensions, in [mm]

## MVT Pressure Ranges<sup>†</sup>

Static pressure/ SWP, absolute psi	Differential pressure, in H <sub>2</sub> O	Maximum overrange pressure, absolute psi
100	± 30	150
300	± 200 or 840	450
500	± 30 or 200	750
1,500	± 200, 400, or 840	2,250
3,000	± 200, 400, or 840	4,500
5,300	± 200, 400, or 840	7,420

## Materials of Construction

Body bolts and nuts	B7/2H alloy steel, standard (see table below for alternate materials)
Process cover	316 SS <sup>†</sup>
Process cover gasket	Glass-filled PTFE
Diaphragm	316L SS <sup>†</sup>
Vent/drain	SS bleed (316 SS plug is standard for NACE and coastal applications)

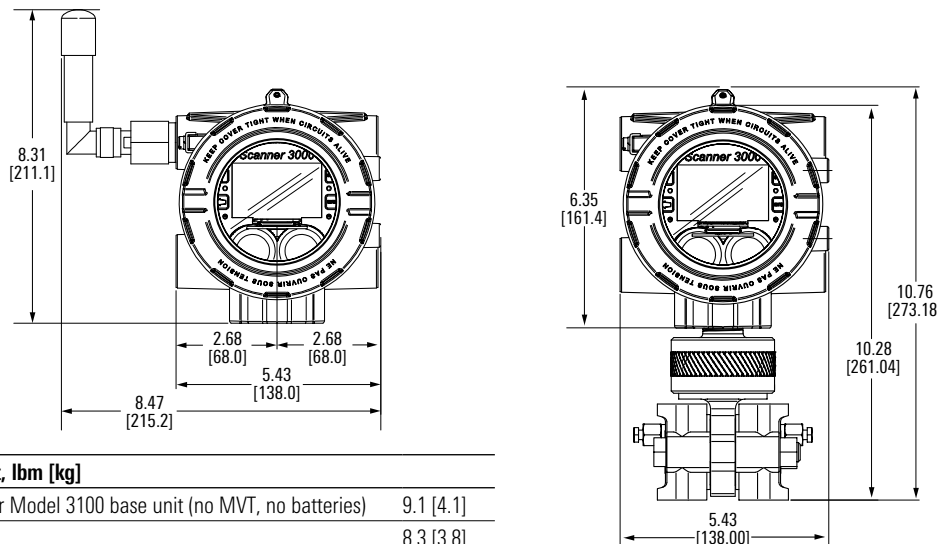
<sup>†</sup> Other materials available by special order.

## Body Bolts and Nuts (non-process wetted)

	B7/2H alloy steel	B7M/2HM alloy steel	316SS	17-4 PH SS	Inconel® 718
NACE use	No	Yes	No	No	Yes
Coastal use	Possible <sup>†</sup>	Possible <sup>†</sup>	Yes	No <sup>‡</sup>	Yes
Max. pressure	5,300	1,500	1,500	3,000	5,300
Coating	Plated	Black oxide	None	None	None

<sup>†</sup> B7 and B7M alloy steel is susceptible to corrosion.

<sup>‡</sup> Chloride stress cracking risk.



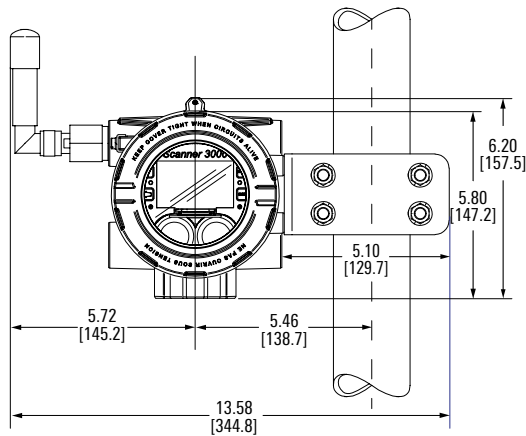
## Weight, lbm [kg]

Scanner Model 3100 base unit (no MVT, no batteries)	9.1 [4.1]
MVT	8.3 [3.8]
Batteries (2 stick-style battery packs)	1.1 [0.5]
Total weight (wired version) <sup>†</sup>	18.4 [8.3]
Direct-mount antenna and coupler (wireless)	0.6 [0.3]
Total weight (wireless version) <sup>†</sup>	19.0 [8.6]

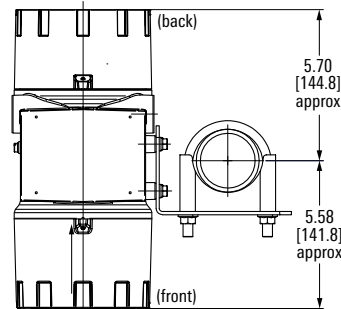
<sup>†</sup> Includes MVT and batteries

# Scanner Model 3100 Flow Computer

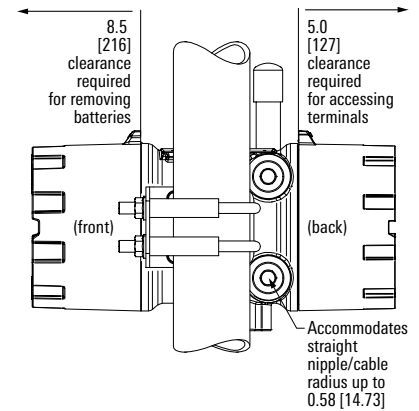
## Dimensions with pole mount



CSA Requirement: When using standard cable, a conduit seal must be installed within 6 in [152.4 mm] of the Scanner flow computer.



Dimensions, in [mm]



## Hardware options

Wireless smartmesh radio	2.4 GHz, self-healing and self-sustaining network
	Factory installed
	Transmits up to 985 ft [300 m] node to node
	Supports communications with up to 20 remote Scanner Model 2100 flow computers (each node can transmit and receive data)



### Certifications:

North America	FCC, IC
Argentina	CNC
Australia/New Zealand	ACMA, R-NZ (Z571 Limited), C-Tick
Bahrain	TRA
Egypt	NRTA
Europe	CE Mark, R&TTE
India	WPC
Indonesia	SDPPI
Kuwait	MOC
Malaysia	SIRIM
Mexico	IFETEL
Oman	TRA
Qatar	TRA
Saudi Arabia	CITC
Thailand	SDoC
UAE	TRA
Venezuela	TA

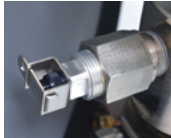
External antenna	Direct-mount antenna, omnidirectional, elbow connection, 3.75-in tall
	Remote-mount antenna, omnidirectional, straight connection, 3.85-in tall (cable sold separately by Cameron)
	N male brass nickel-plated connector for use with N female explosion-proof/I.S. coupler, as shown
	10-ft, 20-ft, and 30-ft cable lengths with connectors for remote-mount antennas, Type 400, -40 to 70 degC [-40 to 158 degF]




Control switch	Explosion-proof <sup>†</sup> switch, fits 3/4-in female pipe thread, momentary contact, or toggle action
	Momentary contact switch provides a keypad alternative for pacing the display or activating a triggered log



<sup>†</sup>Explosion-proof as defined by CEC, NEC, IEC, and ATEX codes.

	Toggle switch is available with or without lockout mechanism (shown) to prevent unauthorized changes to switch position.
---	--

	Pole mount kit Stainless steel mounting kit for 2-in pole, mounts to side of the electrical enclosure.
---	---

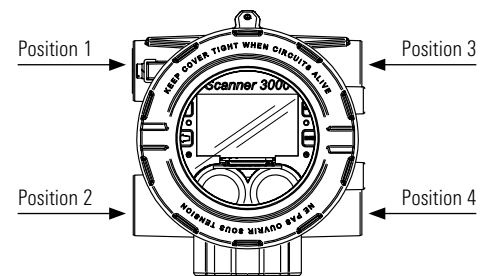
RTD temperature sensor	Consult factory for various alternatives and configurations.
Thermowell	Nominal 0.26-in [6.6-mm] bore, 1/2-in FNPT instrument connection. Consult factory for various materials, process connections, insertion lengths, and options.
5-valve manifold	Consult factory for direct-mount or remote-mount manifold and materials.
Portable ethernet router	Supports the connection of a PC or other browser-equipped device to a Scanner Model 3100 flow computer. The router connects to the Scanner flow computer with an RJ-45 cable, and connects to a PC via Wi-Fi. The router is available in USB-powered or battery-powered models. See page 8 for additional wi-fi solutions.
Customer tag	Stainless steel tag for customer-specified information, 3 in x 1 in, wired on, five lines of text, maximum of 45 characters per line
Software CD	The Scanner Software CD (Part No. 50263697) contains all software and software manuals for Scanner Series 3100 and Scanner Series 2000 flow computers (Scanner Data Manager, ScanMap, ScanFlash, and ModWorX Pro). This software is also available for download from the Cameron website. See Scanner Software, page 8, for software descriptions.

# Scanner Model 3100 Flow Computer

## Cameron Scanner Model 3100 flow computer code

For customer convenience in communicating product requirements to Cameron, the table below contains model codes for commonly requested features and options. Unique part numbers are generated for each feature combination. In some cases, the availability of a feature is contingent on other selections.

Code	Description				
3100	Scanner Model 3100 flow computer				
	<b>Enclosure:</b>				
X	Explosion-proof and weatherproof				
	<b>Certification:</b>				
X5	CSA for US (national electrical code) and Canada (Canadian electrical code) class I, Div. 1, groups C and D, enclosure 4				
XE	ATEX, IECEx II 2 GD Ex d [ia Ga] IIC T5 Gb or Ex tb [ia Da] IIC T100 degC Db IP66 (Flame proof) Note: The enclosure is individually rated for IP 68 and Type 4X protection.				
	<b>Direct mount multi-variable transducer (MVT):</b>				
00	None (brass conduit plug installed)				
X1	MVT with CRN—enclosure type 4				
HP	MVT, high pressure, no CRN				
	<b>MVT Materials/trim package:</b> (omit code when MVT is not required)	<b>Pressure rating</b>	<b>Diaphragms</b>	<b>1/4-in national pipe thread taper (NPT) side ports</b>	<b>Bolts/nuts</b>
A	Standard	ALL	316 SS	SS vent plug	Plated steel
C	SS bolting	≤3,000	316 SS	SS vent plug	316 SS
D	NACE (B7M not for offshore)	≤1,500	316 SS	316 SS pipe plug	B7M/2HM
E	NACE (Inconel bolting)	ALL	316 SS	316 SS pipe plug	Inconel 718
	<b>MVT certificates and reports:</b> (omit code when MVT documentation is not required)				
M	Mill Test reports for MVT (mill certs significantly increase the price and delivery lead time)				
N	NACE certificate				
F	Full—NACE certificate with mill test reports for MVT				
	<b>MVT process connections:</b> (omit code when MVT is not required)				
LP	One set on bottom, for gas service, vertical piping				
SI	Two sets on each end, for liquid or steam service, horizontal piping (special order)				
	<b>MVT ranges:</b> (omit code when MVT is not required)				
0103	100 psi, 30 in H <sub>2</sub> O				
0503	500 psi, 30 in H <sub>2</sub> O	Special order			
0320	300 psi, 200 in H <sub>2</sub> O				
0384	300 psi, 840 in H <sub>2</sub> O				
0520	500 psi, 200 in H <sub>2</sub> O				
1520	1,500 psi, 200 in H <sub>2</sub> O				
1540	1,500 psi, 400 in H <sub>2</sub> O				
1584	1,500 psi, 840 in H <sub>2</sub> O				
3020	3,000 psi, 200 in H <sub>2</sub> O				
3040	3,000 psi, 400 in H <sub>2</sub> O	3,000 psi range with 316 SS bolts has a CRN safe working pressure limit of 2,725 psi.			
3084	3,000 psi, 840 in H <sub>2</sub> O				
5320	5,300 psi, 200 in H <sub>2</sub> O				
5330	5,300 psi, 200 in H <sub>2</sub> O	5,300-psi range requires MVT code (HP) and has a CRN safe working pressure limit of 3,625 psi. Single seal is limited to 3,000 psi.			
5340	5,300 psi, 400 in H <sub>2</sub> O				
5384	5,300 psi, 840 in H <sub>2</sub> O				
XX1K	>300 psi, 1,000 in H <sub>2</sub> O	Special order			
	<b>Batteries:</b>				
X	None				
8	Lithium—7.2 VDC battery pack containing twin D batteries. Restricts transportation methods. Battery pack may be shipped separately two battery packs per device.				
	<b>Firmware:</b>				
00S	Standard				
	<b>Explosion-proof switches (factory-mounted):</b>				
XX	None				
RX	Momentary switch only (see diagram at right)				
OX	Toggle switch only (see diagram at right)				
R0	Momentary and toggle switch				
	<b>Switch lockout option</b> (available with switch options RX, OX, R0 only):				
0	No lockout				
1	With lockout				
	<b>Smart mesh wireless communications:</b> (internal radio, explosion-proof-to-IS adapter for antenna)				
00	None				
A0	Radio with no antenna (antenna supplied separately by Cameron or other manufacturer)				
A1	Radio with right-angle antenna (see diagram at right)				
	<b>Explosion-proof conduit plugs:</b> (unused conduit openings must have a plug)				
B	Brass plugs				
S	Stainless steel plugs				



### Mounting Location of Factory-Installed Options

Unallocated (plugged)	Position 1
Toggle switch	Position 2
Antenna	Position 3
Momentary switch	Position 4

# Scanner Model 3100 Flow Computer

## Wi-Fi connections

A wireless router connected to the Ethernet port of the Scanner Model 3100 flow computer allows users to connect wirelessly to the Scanner flow computer using a PC or other web-enabled device. If an existing wi-fi network is not available to support this connection, users can create a wi-fi access point using one of the following solutions:

- A portable battery-powered router
- A permanent Class I, Div. 2 qualified router assembly with an optional solar power subsystem and optional cellular connectivity

## Scanner software

The Scanner Model 3100 flow computer web interface eliminates the need for PC-based configuration software. However, the Cameron suite of PC software programs equips Scanner Model 3100 flow computer users with additional tools for presenting and sharing data, and maintaining their measurement system. PC-based software is available for download from the Cameron website free of charge, or can be purchased as a CD.

Scanner data manager	Data analysis, reporting, and export/conversion tool Tabular and trend presentations Customized reports
ScanMap	Tool for creating custom Scanner Model 3100 flow computer Modbus register maps, including user-specified units, rates, and register names for SCADA integration Firmware-specific templates Auto-generated protocol manual (for print or upload to web interface)
ScanFlash	Firmware, configuration, and custom protocol map upload utility
ModWorX Pro	Configuration of Scanner Series 2000 flow computers

## Commissioning, training, and support services

As a leading provider of flow equipment to worldwide oil, gas, and process industries, Cameron offers a full range of services and expert support to help customers improve productivity, enhance system performance, and increase profitability.

Our skilled field service personnel are trained to maintain, replace, refurbish, and support measurement equipment. Our services include but are not limited to:

- Measurement consulting
- Start-up assistance and commissioning
- Measurement audits
- Field services, shop repair, and calibration
- System health checks and maintenance
- Product training and measurement seminars

For a service quote, contact your regional Cameron representative.

[cameron.slb.com/flowcomputers](http://cameron.slb.com/flowcomputers)

\*Mark of Schlumberger

<sup>†</sup>Other company, product, and service names are the properties of their respective owners.

Copyright © 2016 Schlumberger. All rights reserved. 16-MS-198626