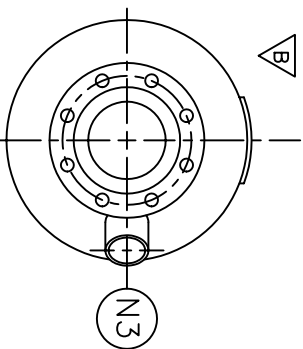
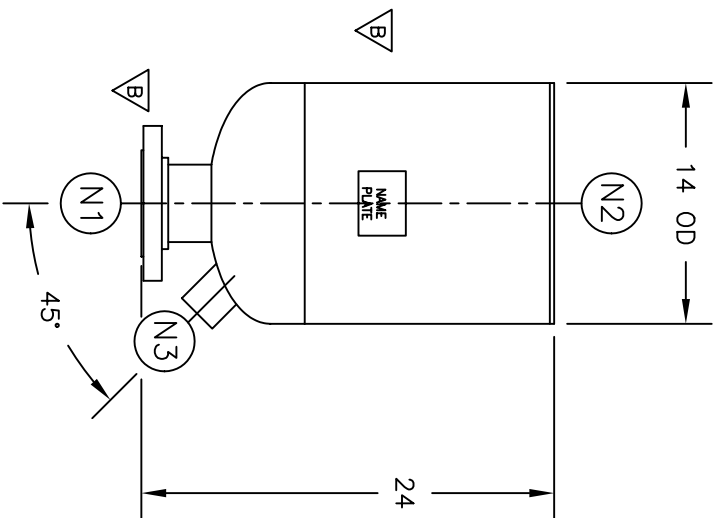


NOZZLE SCHEDULE		REV	DATE	CHANGE	ECR	BY	APP
ITEM	QTY.	NAME	DESCRIPTION				
N1	1	INLET	4"-150# RFSO ASME B16.5	A	09/20/99	NEW RELEASE	7897 AB DP
N2	1	OUTLET	4" SCH 10S PIPE	B	12/05/03	DELETED NAMEPL. BRACKET, NAMEPL., INLET TAG, ADDED EXHAUST HEAD NAMEPL.	B892 LH FM
N3	1	DRAIN	1-1/2" NPT 3000# COUPLING	C	11/1/05	REVISED TITLE BLOCK	D507 FM LH



NOTES:

1. ALL DIMENSIONS ARE IN INCHES.
2. ALL BOLT HOLES ARE TO STRADDLE NATURAL CENTERLINES.
3. SHIPPING WEIGHT: 100 POUNDS.
4. DESIGN DATA:
 DESIGN PRESSURE- ATMOSPHERIC
 DESIGN TEMPERATURE- AMBIENT
 CORROSION ALLOWANCE- 0 INCHES
 5. MATERIAL: 304L STAINLESS STEEL.

CUSTOMER:
 REG. NO.:
 P.O. NO.:
 TAG NO.:
 PART NO.: 4EHS

ELECTRONIC FILE NAME:
 SD4EHS.DWG
 TOLERANCES UNLESS OTHERWISE SPECIFIED
 PER ENGINEERING STANDARD ES- --

UNAUTHORIZED USE, MANUFACTURE OR
 REPRODUCTION IN WHOLE OR IN PART IS
 PROHIBITED. DRAWING, DESIGN AND
 OTHER DISCLOSURES PROPERTY OF
 EATON FILTRATION, LLC

		EATON FILTRATION, LLC 900 FAIRMOUNT AVENUE, ELIZABETH, NEW JERSEY 07207					
		NAME 4" TYPE "40-EHMF" EXHAUST HEAD 150# FLG (304L SSTL)					
DRAWN	AB	DATE	09/20/99	CHECKED	DP	DATE	09/20/99
APP	--	DATE	--	SCALE	NTS	ECR	7897
SIZE	A	DWG NO		SD4EHS		REV	C