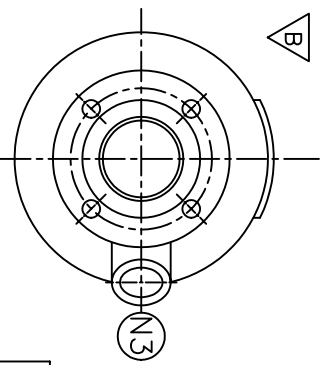
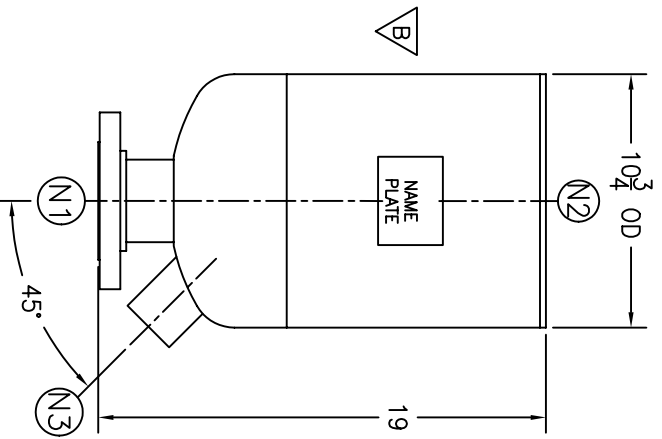


NOZZLE SCHEDULE		
ITEM	QTY.	NAME DESCRIPTION
N1	1	INLET 3" 150# RESO ASME B16.5
N2	1	OUTLET 3" STD. WGT. PIPE
N3	1	DRAIN 1-1/2" NPT 3000# COUPLING

REV	DATE	CHANGE	EGR	BY	APP
A	04/06/99	NEW RELEASE	7379	AB	DP
B	12/05/03	DELETED NAMEPL. BRACKET, NAMEPL., INLET TAG, ADDED EXHAUST HEAD NAMEPL.	8892	LH	FM
C	11/1/05	REVISED TITLE BLOCK	D507	FM	LH



NOTES:

1. ALL DIMENSIONS ARE IN INCHES.
2. ALL BOLT HOLES ARE TO STRADDLE NATURAL CENTERLINES.
3. SHIPPING WEIGHT: 65 POUNDS.
4. DESIGN DATA:
 DESIGN PRESSURE- ATMOSPHERIC
 DESIGN TEMPERATURE- AMBIENT
 CORROSION ALLOWANCE- 0 INCHES
5. MATERIAL: CARBON STEEL.

CUSTOMER:
 REG. NO.:
 P.O. NO.:
 TAG NO.:
 PART NO.: 3EHC

ELECTRONIC FILE NAME:
 SD3EHC.DWG
 TOLERANCES UNLESS OTHERWISE SPECIFIED
 PER ENGINEERING STANDARD ES- --

UNAUTHORIZED USE, MANUFACTURE OR
 REPRODUCTION IN WHOLE OR IN PART IS
 PROHIBITED. DRAWING, DESIGN AND
 OTHER DISCLOSURES PROPERTY OF
 EATON FILTRATION, LLC

EATON	EATON FILTRATION, LLC	
	900 FAIRMOUNT AVENUE, ELIZABETH, NEW JERSEY 07207	
NAME	3" TYPE "40-EHMF" EXHAUST HEAD 150# FLG (CSTL)	

DRAWN	AB	DATE	04/06/99	CHECKED	DP	DATE	04/06/99
APP	--	DATE	--	SCALE	NTS	EGR	7379
SIZE	A	DWG NO		SD3EHC		REV	C