




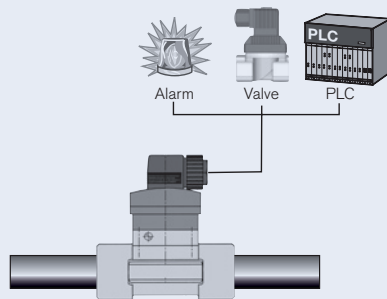
Magnetic paddle (flipper) flow switch for ON/OFF control

- ON/OFF Control System for Monitoring and Switching
- Mechanical adjustment of setpoint
- No contact to Fluid thanks to INLINE "Turn & Lock" Technique
- Approval: 

DTS 1000082461 EN Version: B Status: RL (released | freigegeben | validé) printed: 22.09.2017

This mechanical single paddle (flipper) Sensor/Switch is specially designed for monitoring minimum/maximum values of flow. The switching point can be set by turning a spring screw. The switching is done by a moving magnet and a reed contact. The connection to the process in the piping is done with the easy to connect "Turn & Lock" technique of the INLINE fittings.

Monitoring - Min./Max. values



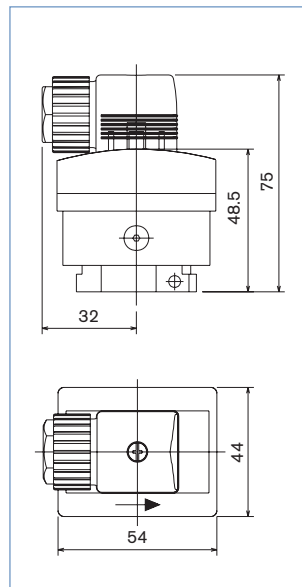
Process Specification	
Pipe diameter	1/2" up to 2"
Switching range	see table
Fitting	Burkert INLINE fitting S010
Housing material	PC+20% glass fiber
Sensor element	reed contact on single paddle
Electrical Specification	
Reed contact output:	
Max. switching voltage	0 – 150 VDC, 0 – 250 VAC
Max. switching current	0.8 A
Max switching power	50 W
Recommended max. cable length	100 m shielded, section 0.14 – 0.50 mm ²
Electrical Connections	
Optional EaseOn cable plug	3 wire, plug in-turn off
Cable plug	DIN 43650A
Environment Specifications	
Fluid temperature max.	131°F
Ambient temperature max.	32°F up to 131°F
Fluid pressure max.	PVC, PP, PVDF: 140 PSI Metal fitting: 230 PSI
Type of protection	NEMA 4 (IP 65) with connector plugged in
Standards	
EMI	EN 50081-1, 50082-2, 61010-2

Ordering table for SE10 (electronic SE10 and sensor fitting S010 build the 8010)
ON/OFF Flow Control System, mechanical, magnetic paddle INLINE type

Output	Connector	Item no.
reed contact NO	Connector cable plug DIN, PG9	438 087 L
reed contact NC	Connector cable plug DIN, PG9	438 088 V

Fittings with Magnetic Sensor Paddle (flipper)- PVC, PVDF, PP, Stainless Steel or Brass
(see datasheet fittings S010)

Dimensions [mm]

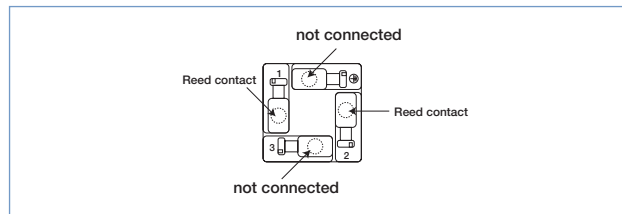
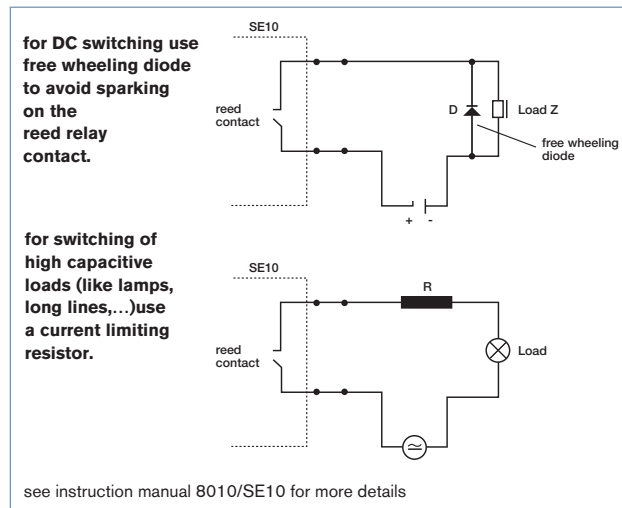


Variable dimensions [mm]

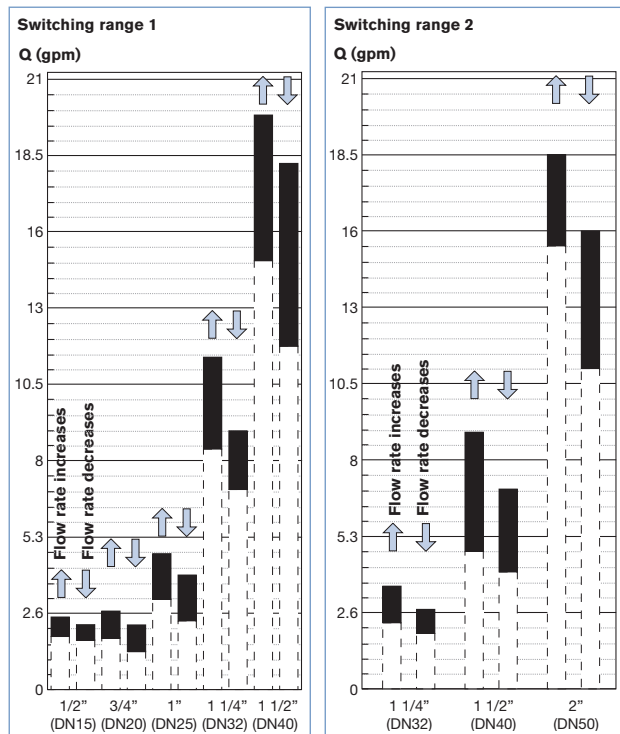
Magnetic paddle (flipper) flow switch Type 8010

Range 1 or 2	Fitting DN (in)	Fluid velocity (water) (ft/s)		Flow rate (gal/mn)		(ft ³ /h x 35.3)	
		min	max	min	max	min	max
1	1/2	2.13	-> 2.95	1.82	2.51	14.5	20.1
		1.97	<- 2.62	1.09	2.25	13.4	15.0
1	3/4	1.15	-> 1.80	1.74	2.75	14.1	21.9
		0.82	<- 1.48	1.24	2.25	9.88	18.0
2	1 1/4	0.59	-> 0.92	2.25	3.57	18	28.6
		0.49	<- 0.72	1.85	2.77	14.8	29.3
1	1	1.31	-> 1.97	3.12	4.68	25.0	37.4
		0.98	<- 1.64	2.32	3.88	18.7	31.1
2	1 1/2	0.82	-> 1.48	4.97	8.96	41.3	72.0
		0.67	<- 1.15	3.99	6.97	31.8	55.8
1	1 1/4	2.13	-> 2.95	8.30	11.47	66.4	92.1
		1.80	<- 2.30	7.00	8.93	56.1	71.7
2	2	1.61	-> 1.94	15.32	18.49	122.8	148.30
		1.18	<- 1.67	11.10	15.85	89.0	127.10
1	1 1/2	2.46	-> 3.28	14.93	19.92	118.7	159.60
		1.97	<- 2.95	11.94	17.94	95.7	143.7

Electrical connection - Reed contact version



Switching range table for fitting PVC, PVDF, PP, SS, Brass



In case of special application conditions, please consult for advice.

We reserve the right to make technical changes without notice.