

Disc Cleaning Filters

DCF-2000

Mechanically Cleaned
Permanent Media

Eaton's DCF-2000 is designed specifically to address the challenges associated with filtering coatings and slurries in the paper making industry. Eliminate paperbreaks or streaks, reduce the environmental impact, and maximize uptime and productivity—for high production volumes and consistent product quality.



DCF-2000
Single Configuration

DCF-2000

With a rugged motorized cleaning action, the DCF-2000 can handle the continuous processing requirements of protecting critical wet-end coating operations.

FEATURES

- Filters 48-72% solids coatings at 75 micron retention—the tightest in the industry
- Continuously removes contaminants from the coating and efficiently evacuates collected contaminants while operating at a low, constant differential pressure
- Designed for continuous unattended operation—without the need for operator intervention
- Mechanically cleaned media eliminates replacement media cost and the expense and hazard of waste disposal
- Increased profitability—improves system efficiency, reduces paperbreaks and associated downtime
- Multiplex configurations available and valved to a common tapered header for high-flow applications

TYPICAL APPLICATIONS

- paper coatings



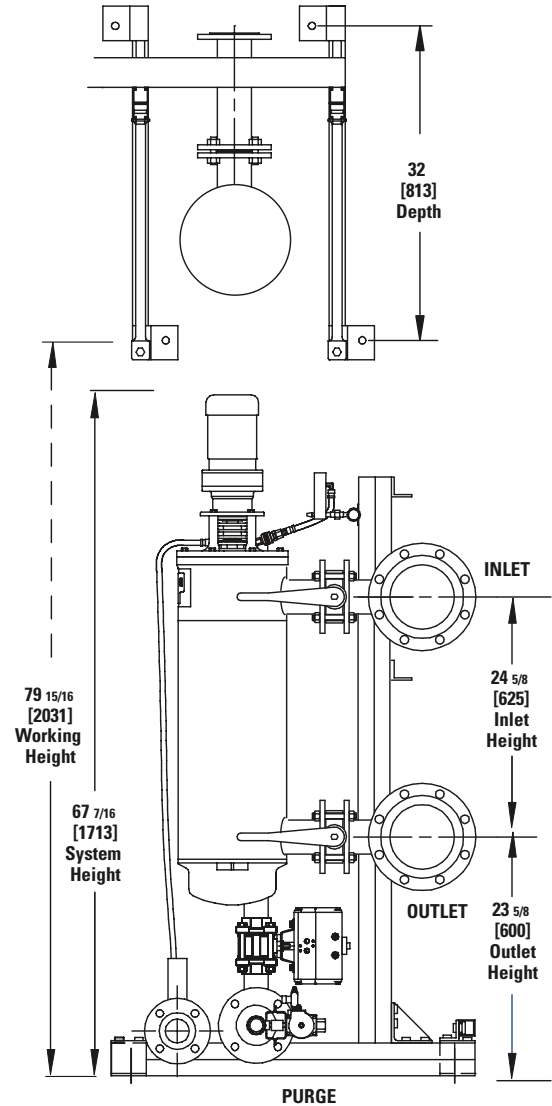
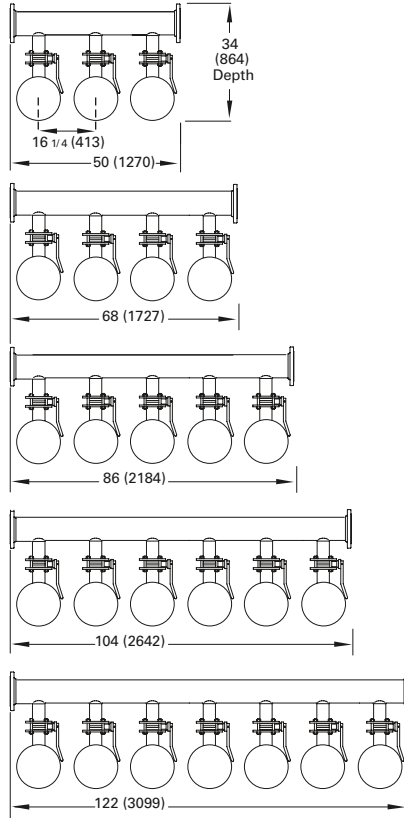
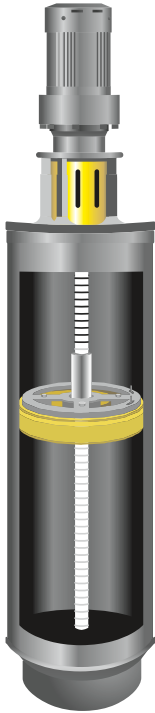
DCF-2000
Multiplex Configuration

EATON

Powering Business Worldwide

DCF-2000 Disc Cleaning Filters

Driven at a constant rate and pressure, the cleaning disc continuously wipes collected debris from the screen. Collected contaminants are agitated in the collection chamber, keeping them in a semi-liquid state, ready to be purged from the system.



DCF-2000 Specifications

Single Unit Weight	564 lbs (256 kg)
Service Height	79 in (2031 mm)
Total Volume	11 gal (41.6 l)
Purge Chamber Capacity	1.5 gal (6 l)
Filtration Surface Area	610 in ² (3935 cm ²)
Flow Rate Range at 100µ	30–200 gpm 6.8–45.4 m ³ /h
Temperature, maximum*	160 °F (71 °C)
Pressure, maximum	150 psi (10.5 bar) standard
Electrical for Motor Drive	single phase 110/220V, 50/60 Hz for control and three phase, 220/380/440/575V (please specify), 50/60 Hz for motor.
Electrical for Controllers	single phase 110/220V, 50/60 Hz

* Dependent on elastomer seal selection

North America
44 Apple Street
Tinton Falls, NJ 07724
Toll Free: 800 656-3344
(North America only)
Tel: +1 732 212-4700

China
No. 3, Lane 280,
Linhong Road
Changning District, 200335
Shanghai, P.R. China
Tel: +86 21 5200-0099

Europe/Africa/Middle East
Auf der Heide 2
53947 Nettersheim, Germany
Tel: +49 2486 809-0

Singapore
100G Pasir Panjang Road #07-08
Singapore 118523
Tel: +65 6825-1668

Friedensstraße 41
68804 Altlußheim, Germany
Tel: +49 6205 2094-0
An den Nahewiesen 24
55450 Langenlonsheim, Germany
Tel: +49 6704 204-0

Brazil
Av. Ermanno Marchetti, 1435 -
Água Branca, São Paulo - SP,
05038-001, Brazil
Tel: +55 11 3616-8461



Powering Business Worldwide

For more information, please email us at filtration@eaton.com or visit www.eaton.com/filtration

© 2020 Eaton. All rights reserved. All trademarks and registered trademarks are the property of their respective owners. All information and recommendations appearing in this brochure concerning the use of products described herein are based on tests believed to be reliable. However, it is the user's responsibility to determine the suitability for his own use of such products. Since the actual use by others is beyond our control, no guarantee, expressed or implied, is made by Eaton as to the effects of such use or the results to be obtained. Eaton assumes no liability arising out of the use by others of such products. Nor is the information herein to be construed as absolutely complete, since additional information may be necessary or desirable when particular or exceptional conditions or circumstances exist or because of applicable laws or government regulations.

US
12-2020