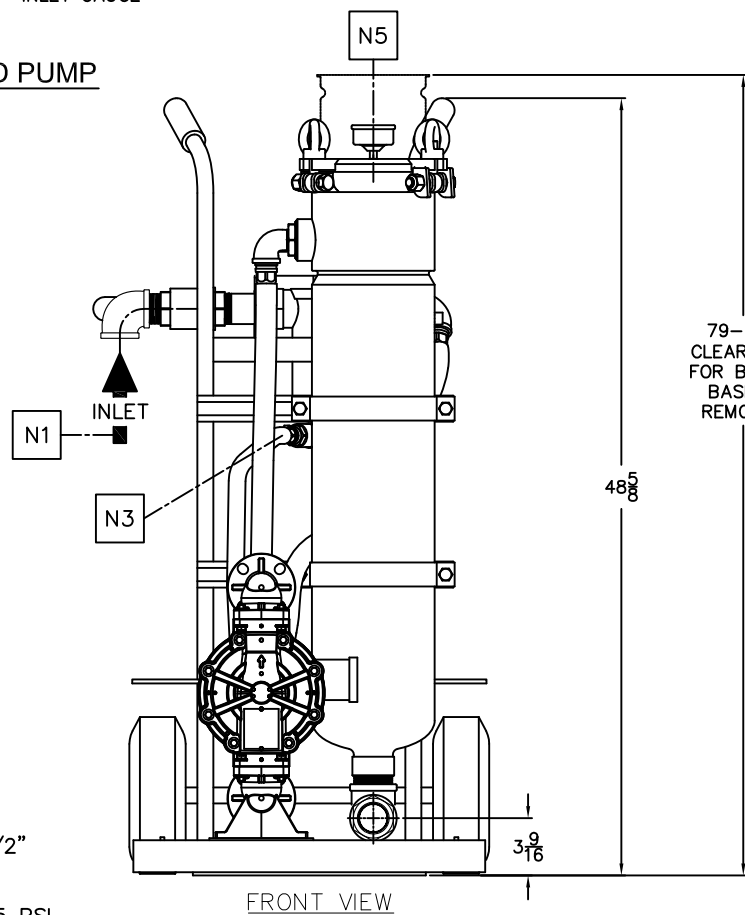


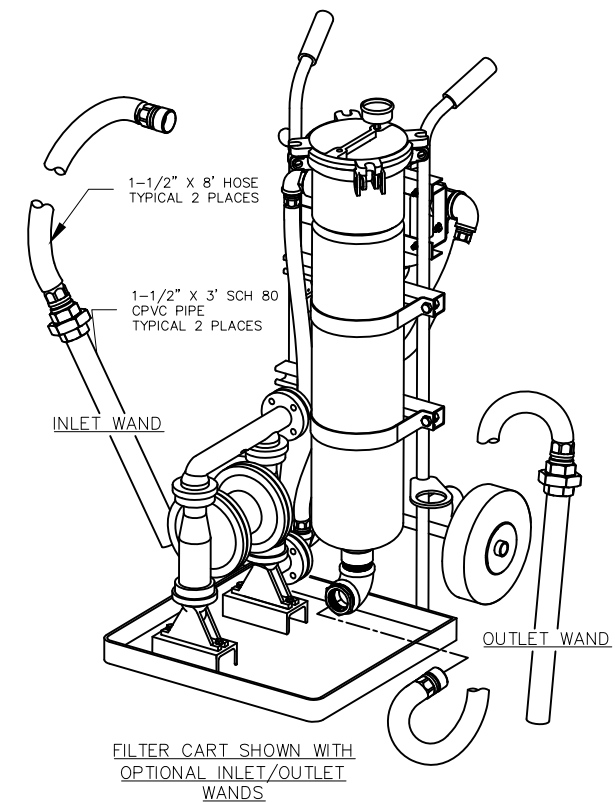
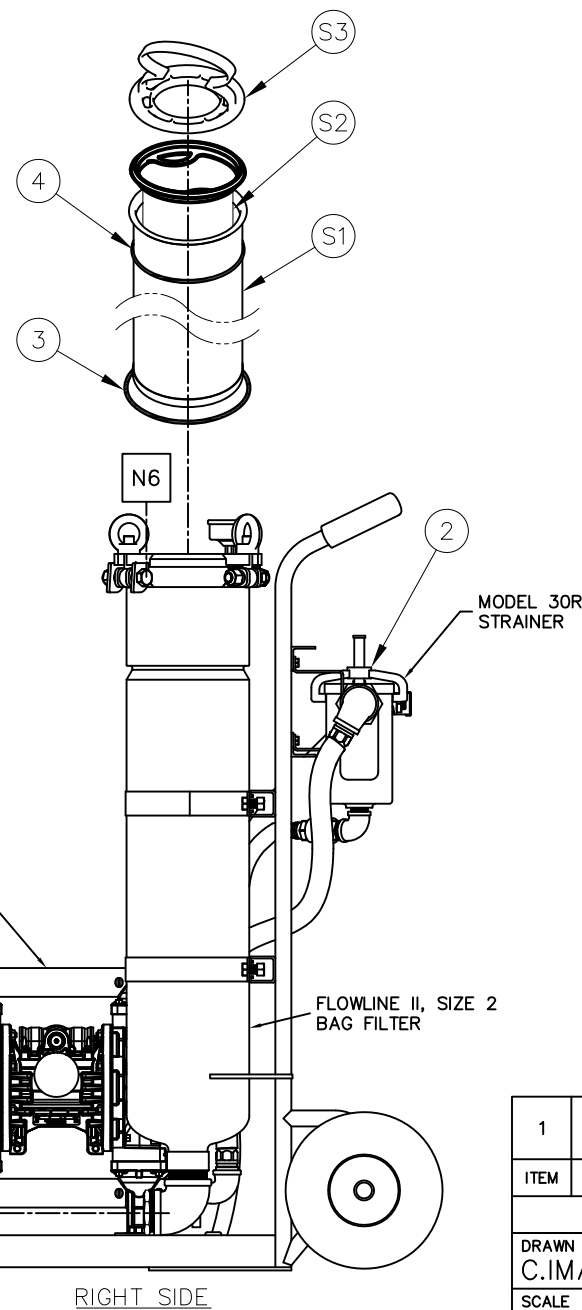
**AIR SUPPLY TO AIR POWERED PUMP  
DETAIL**

REFER TO NOTES FOR DETAILS



NOZZLE SCHEDULE					
MARK	SIZE	TYPE	RATING	NECK	SERVICE
N1	1-1/2"	NPTI	-	-	INLET
N2	1-1/2"	NPTI	-	-	OUTLET
N3	3/4"	NPTI	-	-	DRAIN
N4	1/2"	NPTI	-	-	AIR INLET TO AIR OPERATED DIAPHRAGM PUMP
N5	1/4"	NPTI	-	-	PRESSURE GAUGE AT FILTER
N6	1/4"	NPTI	-	-	PLUGGED PORT IN LID

REVISIONS				
REV	DESCRIPTION	BY	ECO	DATE
A	SALES DRAWING	CLI	0065534	20SEP2012
B	REVISED SPARE PARTS	CLI	0080548	21JAN2013
c	UPDATED SPARE PARTS	CLI	0082337	28FEB2013



**SPARE PARTS LIST**

ITEM	QTY	UM	PART NUMBER	DRAWING NUMBER	DESCRIPTION
S7	1	EA	RPC000012	F3F000002-VA	HOLD DOWN, LCSBV
S6	1	EA	VARIES	F3F000002-VA	BAG FILTER MEDIA
S5	1	EA	WEE000009	F3F000002-VA	RESTRAINER BASKET, #2 SIZE 316 S.S.
S4	1	EA	RPC000006	F3F000002-VA	O-RING, RESTRAINER BASKET, VITON
S3	1	EA	X813445	F3F000002-VA	O-RING, LID SEAL FLOWLINE II, VITON
S2	1	EA	ST262Z5	F3F000002-VA	O-RING, LID #30R STRAINER, VITON

**NOTES:**

1. INLET/OUTLET CONNECTIONS ARE 1-1/2" NPTI BRASS FITTINGS.
2. MAWP: 125 PSI @ 150°F (8.6 BAR @ 66°C) MDMT: 32°F @ 125 PSI (0°C @ 8.6 BAR)
3. AIR OPERATING RANGE: 20 - 125 PSI (1.4 - 8.6 BAR)
4. RECOMMENDED OPERATING AIR PRESSURE: 30 PSI (2.1 BAR)
5. UNIT WEIGHT (APPROX.):  
EMPTY: 220lbs (100 kg)  
FULL (WATER): 278lbs (126 kg)

ITEM	QTY	UM	PART NUMBER	DRAWING NUMBER	DESCRIPTION
1	1	EA	F3F000002-VA	F3F000002-VA	INDUSTRIAL FILTER CART, CST W/VITON ASSEMBLY DRAWING

**BILL OF MATERIALS**

DRAWN BY C.IMANSE	<b>EATON</b> FILTRATION, LLC DESIGN CENTER ISELIN, NEW JERSEY, USA • PORTAGE, MICHIGAN, USA
SCALE AS DRAWN	
RESTRICTION RESTRICTED	TITLE INDUSTRIAL FILTER CART, CST W/VITON ELASTOMERS AIR OPERATED DUAL DIAPHRAGM PUMP
SHEET 1 OF 1	DATE 09/21/12
PROJECTION THIRD ANGLE	SIZE B
	DWG FILENAME F3F000002-V[1]
	REV C

CUSTOMER INFO	
NAME	
P.O. NO.	
TAG NO.	
S.O. NO.	
PART NO.	F3F000002-V

EATON CORPORATION - CONFIDENTIAL AND PROPRIETARY NOTICE TO PERSONS RECEIVING THIS DRAWING AND/OR TECHNICAL INFORMATION  
THIS DOCUMENT, INCLUDING THE DRAWING AND INFORMATION CONTAINED THEREON IS THE EXCLUSIVE PROPERTY OF EATON AT ANY TIME. BY TAKING THE  
POSSESSION OF THIS DOCUMENT THE RECIPIENT ACKNOWLEDGES AND AGREES THAT THIS DOCUMENT CANNOT BE USED IN ANY MANNER ADVERSE TO THE INTEREST OF EATON AND  
THAT NO PORTION OF THIS DRAWING MAY BE COPIED OR OTHERWISE REPRODUCED WITHOUT THE PRIOR WRITTEN CONSENT OF EATON, IN THE CASE OF CONFLICTING CONTRACTUAL  
PROVISIONS, THIS NOTICE SHALL GOVERN THE STATUS OF THIS DOCUMENT.  
2014 EATON CORPORATION - ALL RIGHTS RESERVED.