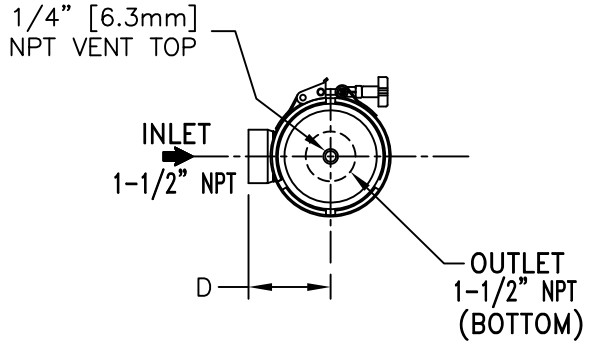
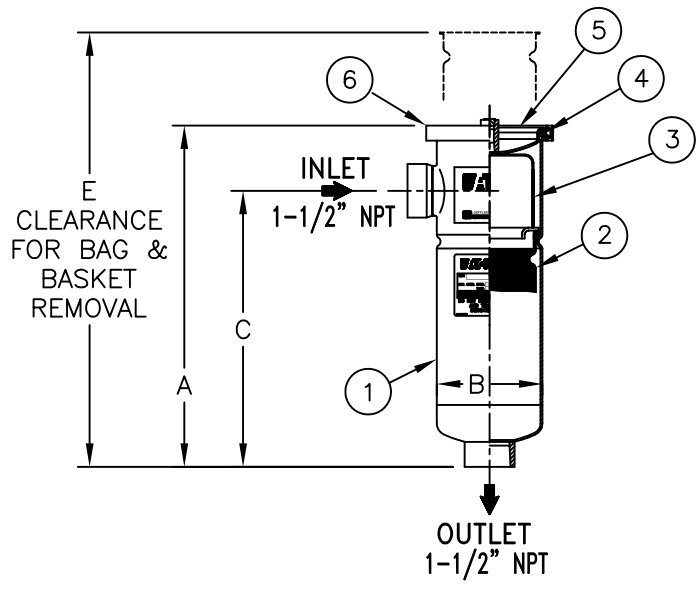


| ITEM NUMBER | BAG SIZE | PIPE SIZE (NOM.) | A IN. / MM | B IN. / MM | C IN. / MM | D IN. / MM | E IN. / MM | WEIGHT LBS / KGS |
|--------------|----------|------------------|------------------|---------------|------------------|---------------|----------------|---------------------|
| EBF0101SB15T | 03 | 1-1/2" / [38.1] | 14-9/16 / 369.9 | 4-1/2 / 114.3 | 11-13/16 / 300.0 | 3-1/2 / 88.9 | 24 / 609.6 | 9 / 4.1 |
| EBF0102SB15T | 04 | 1-1/2" / [38.1] | 20-11/16 / 525.4 | 4-1/2 / 114.3 | 17-7/8 / 454.0 | 3-1/2 / 88.9 | 34-1/2 / 876.3 | 11 / 5.0 |

| REVISIONS | | | | |
|-----------|----------------|-----|---------|----------|
| REV | DESCRIPTION | BY | ECO | DATE |
| H | REVISED BORDER | FJM | 0073771 | 07/19/12 |



| NO. | PART NAME | MATERIAL |
|-----|---|---------------------|
| 1 | BODY | 316 STAINLESS STEEL |
| 2 | RESTRAINER BASKET P/N L0001223 03 SIZE P/N L0001224 04 SIZE | 316 STAINLESS STEEL |
| 3 | BAG HOLD DOWN | 316 STAINLESS STEEL |
| 4 | O-RING P/N L0000029 | BUNA-N |
| 5 | COVER | 316 STAINLESS STEEL |
| 6 | V-CLAMP | STAINLESS STEEL |



NOTES:

1. INLET/OUTLET "NPT" THREADED CONNECTIONS PER ANSI B1.20.1.
2. MAWP: 150 PSI @ 250 °F
(10.3 BAR @ 121.1 °C)
3. DIMENSIONS SHOWN IN [] ARE IN MILLIMETERS AND FOR REFERENCE ONLY. ACCEPTANCE OF THIS PART WILL BE BASED ON "INCH" UNITS & TOLERANCES ONLY.

| TOLERANCES (UNLESS OTHERWISE SPECIFIED) | |
|--|--|
| DECIMAL: | .X ± .030 .XX ± .010 .XXX ± .005 |
| FRACTIONAL: | ± 1/16 |
| NOZZLE Ø TO FLOOR: | 1/8" < 4' > 1/4" |
| FACE TO FACE: | 1/8" < 4' > 1/4" |
| ANGULAR: | ± 1' |
| FLANGES (H/V): | ± 1/2" |
| VESSEL OVERALL HT: | 1" |

REVIEWED FOR CLASSIFICATION PER PR-4
 CRITICAL SIGNIFICANT

| CUSTOMER INFO | |
|---------------|-----------|
| NAME | |
| P.O. NO. | |
| S.O. NO. | |
| QUANTITY | |
| PART NO. | SEE ABOVE |

| | |
|--|--|
| PART NUMBER: EBF0101SB15T VESSEL CODE: EBF-0103-AB10-015N-NS-B-NNS | |
| PART NUMBER: EBF0102SB15T VESSEL CODE: EBF-0104-AB10-015N-NS-B-NNS | |
| DRAWN BY FJM | EATON FILTRATION, LLC DESIGN CENTER ISELIN, NEW JERSEY, USA • PORTAGE, MICHIGAN, USA |
| SCALE NOT TO SCALE | |
| RESTRICTION RESTRICTED | TITLE MINI ECOLINE (EBF) FILTER VESSEL 1-1/2" NPT THREADED CONN. STAINLESS STEEL |
| SHEET 1 OF 1 | |
| PROJECTION THIRD ANGLE | DATE 07/13/99 |
| | SIZE A |
| | DWG FILENAME EBF10XS9 |
| | REV H |

EATON CORPORATION - CONFIDENTIAL AND PROPRIETARY NOTICE TO PERSONS RECEIVING THIS DRAWING AND/OR TECHNICAL INFORMATION
 THIS DOCUMENT, INCLUDING THE DRAWING AND INFORMATION CONTAINED THEREON IS CONFIDENTIAL AND IS THE EXCLUSIVE PROPERTY OF EATON AT ANY TIME. BY TAKING THE
 POSSESSION OF THIS DOCUMENT THE RECIPIENT ACKNOWLEDGES AND AGREES THAT THIS DOCUMENT CANNOT BE USED IN ANY MANNER ADVERSE TO THE INTEREST OF EATON AND
 THAT NO PORTION OF THIS DRAWING MAY BE COPIED OR OTHERWISE REPRODUCED WITHOUT THE PRIOR WRITTEN CONSENT OF EATON, IN THE CASE OF CONFLICT CONTRACTUAL
 PROVISIONS, THIS NOTICE SHALL GOVERN THE STATUS OF THIS DOCUMENT.
 2012 EATON CORPORATION - ALL RIGHTS RESERVED.