

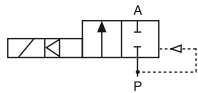


2/2-way Solenoid Valve safety shut off valve for oil burner

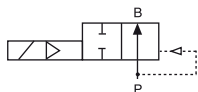
- NC-valves, approved acc. to DIN EN ISO 23553-1
- Medium: liquid fuels
- Easy servicing due to modular coil system
- Feed line valve or circulations valve
- IP65

Type 5406 valves are pilot-controlled solenoid valves with servo pistons. Depending on the version, these valves can be used either as feed line or circulation valves. The valves fulfill the requirements of a safety shut off valve according to DIN EN 23553-1. It is approved by TÜV-Süd and certified by DIN Certco. The universal coil system reduces logistics and service expenses.

Circuit function A (NC)



Circuit function B (NO)



| Technical Data | | | | | | | | | |
|---|---|----|----------|---|-------|----|-------|----|-------|
| Medium | Heating oil (EL, L, M, S) acc. to DIN 51603 part 1–6 Shipping fuels acc. to ISO 8217 Fatty Acid Methyl Esters (FAME) acc. to DIN EN 14213 Rapeseed oil acc. to DIN V 51605 | | | | | | | | |
| Viscosity | 1,6 to 76 mm ² /s | | | | | | | | |
| Medium temperature | 0 ... 160 °C | | | | | | | | |
| Ambient temperature | –15 to +60°C | | | | | | | | |
| Orifice | 13:20 | | | | | | | | |
| Body material | Brass, stainless steel | | | | | | | | |
| Seal material | | | | | | | | | |
| Seat | PTFE | | | | | | | | |
| housing | FKM | | | | | | | | |
| Coil material | Insulation class H: Epoxy | | | | | | | | |
| Port connection | G 1/4, G 3/8, G 1/2, G 3/4 | | | | | | | | |
| Protection class | IP65 | | | | | | | | |
| Voltages | 110V/50Hz, 230V/50Hz others on request | | | | | | | | |
| Duty cycle | Continuous operation 100% ED | | | | | | | | |
| Electrical connection | acc. to DIN EN 175301-803 Form A | | | | | | | | |
| DIN Certco registration (NC-valves) | <table border="1"> <tr> <td>DN</td> <td>Reg. No.</td> </tr> <tr> <td>6</td> <td>5S255</td> </tr> <tr> <td>13</td> <td>5S255</td> </tr> <tr> <td>20</td> <td>5S255</td> </tr> </table> | DN | Reg. No. | 6 | 5S255 | 13 | 5S255 | 20 | 5S255 |
| DN | Reg. No. | | | | | | | | |
| 6 | 5S255 | | | | | | | | |
| 13 | 5S255 | | | | | | | | |
| 20 | 5S255 | | | | | | | | |

Technical Data

| Circuit function | Port connection | Orifice [mm] | Kv value water [m³/h] | Pressure range [bar] | Closing time | Body material | Function | Power consumption | |
|------------------|-----------------|-----------------|--------------------------|-------------------------|--------------|-----------------|-------------------|-------------------|-----------|
| | | | | | | | | Operation W | Inrush VA |
| NC (A) | G1/4 | 6.0 | 0.46 | 1–30 | < 100 | Brass | Feed line valve | 20 | 150 |
| | G3/8, G1/2 | 13.0 | 3.5 | 1–30 | < 500 | Brass | Feed line valve | 20 | 120 |
| | G3/4 | 20.0 | 6.3 | 1–30 | < 800 | Stainless steel | Feed line valve | 20 | 120 |
| NO (B) | G3/8, G1/2 | 13.0 | 3.0 | 1–30 | < 500 | Brass | Circulation valve | 20 | 120 |

Feed line/return line valve combinations

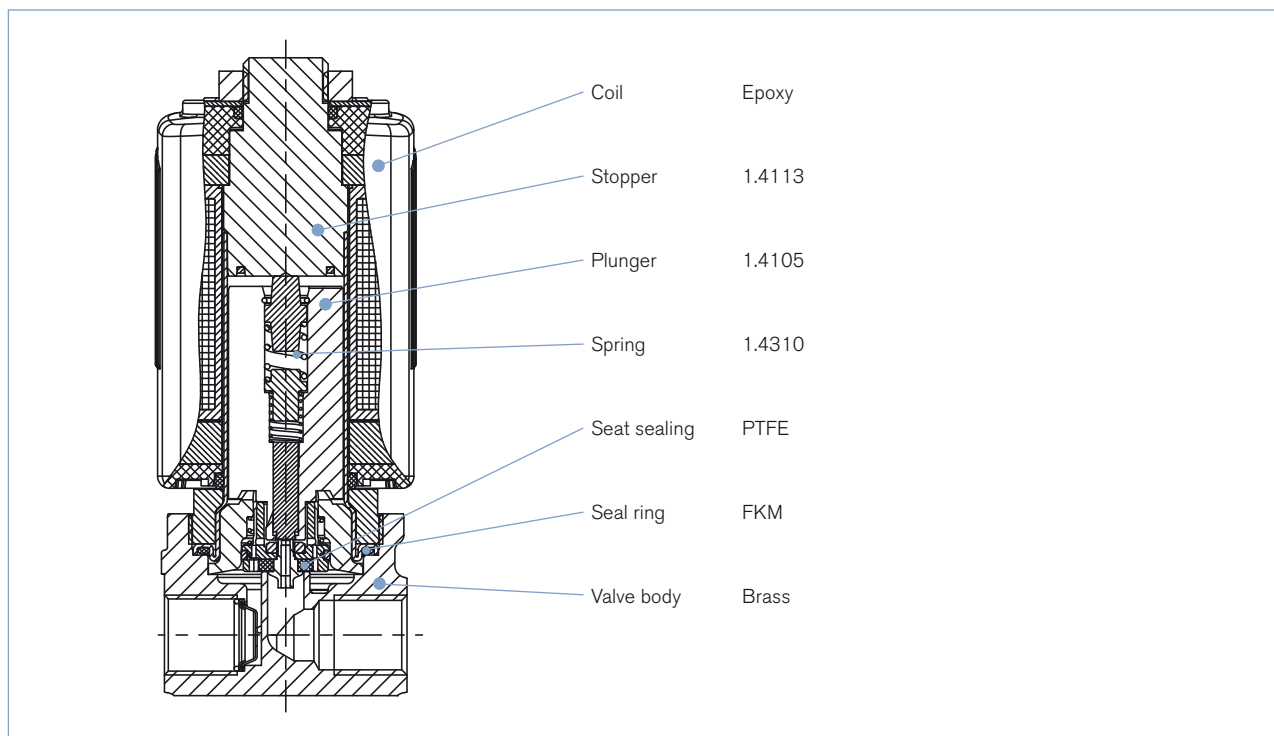
For oil burner with feed line valve and return line valve the following safety shut off valves combinations are available.

| Feed line valve | | | | Return line valve | | | |
|-----------------|-----------------|-----------------|--------------------------|-------------------|-----------------|-----------------|--------------------------|
| Type | Orifice [mm] | Body material | Kv value water [m³/h] | Type | Orifice [mm] | Body material | Kv value water [m³/h] |
| 6027* | 2.2 | Brass | 0.15 | – | – | – | – |
| 6027* | 3 | Brass | 0.22 | 6027* | 3 | Brass | 0.18 |
| 5406 | 6 | Brass | 0.46 | 6027* | 4 | Brass | 0.47 |
| 5406 | 13 | Brass | 3.5 | 6027* | 10 | Brass | 1.8 |
| 5406 | 20 | Stainless steel | 6.3 | 5407** | 20 | Stainless steel | 4.7 |

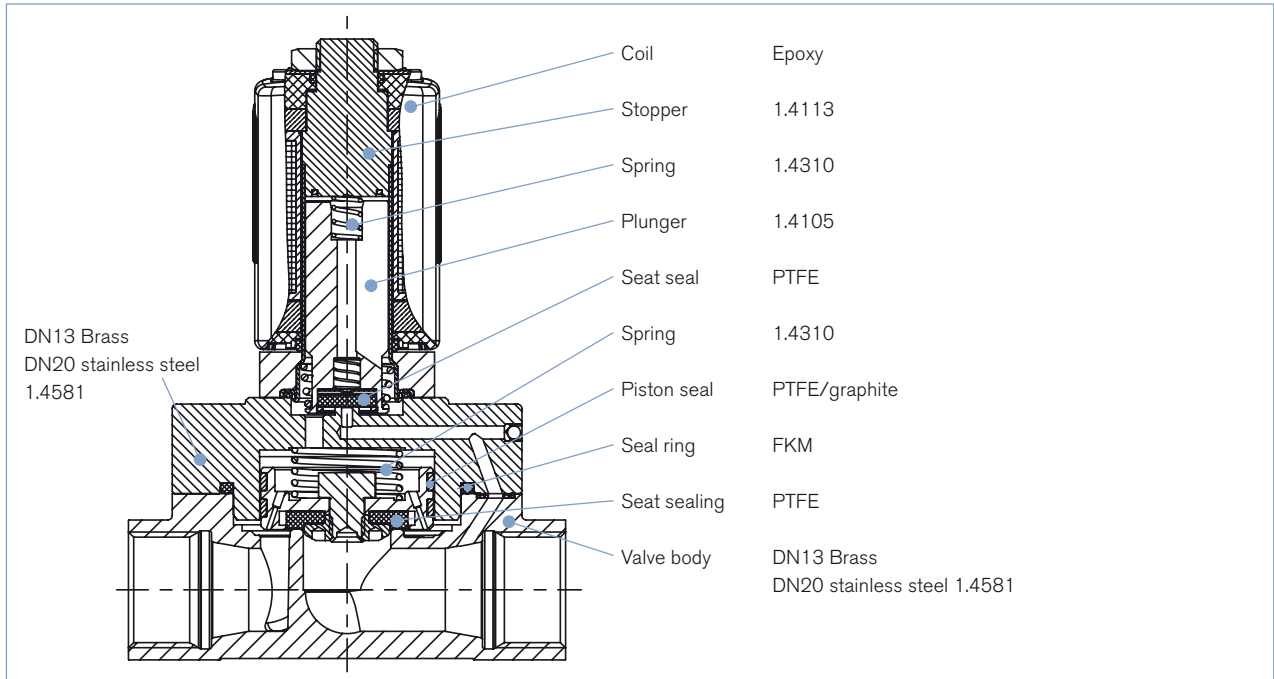
* compare datasheet Type 6027 Safety Shut-Off Valve/Oil

** compare datasheet Type 5407 Safety Shut-Off Valve/Oil

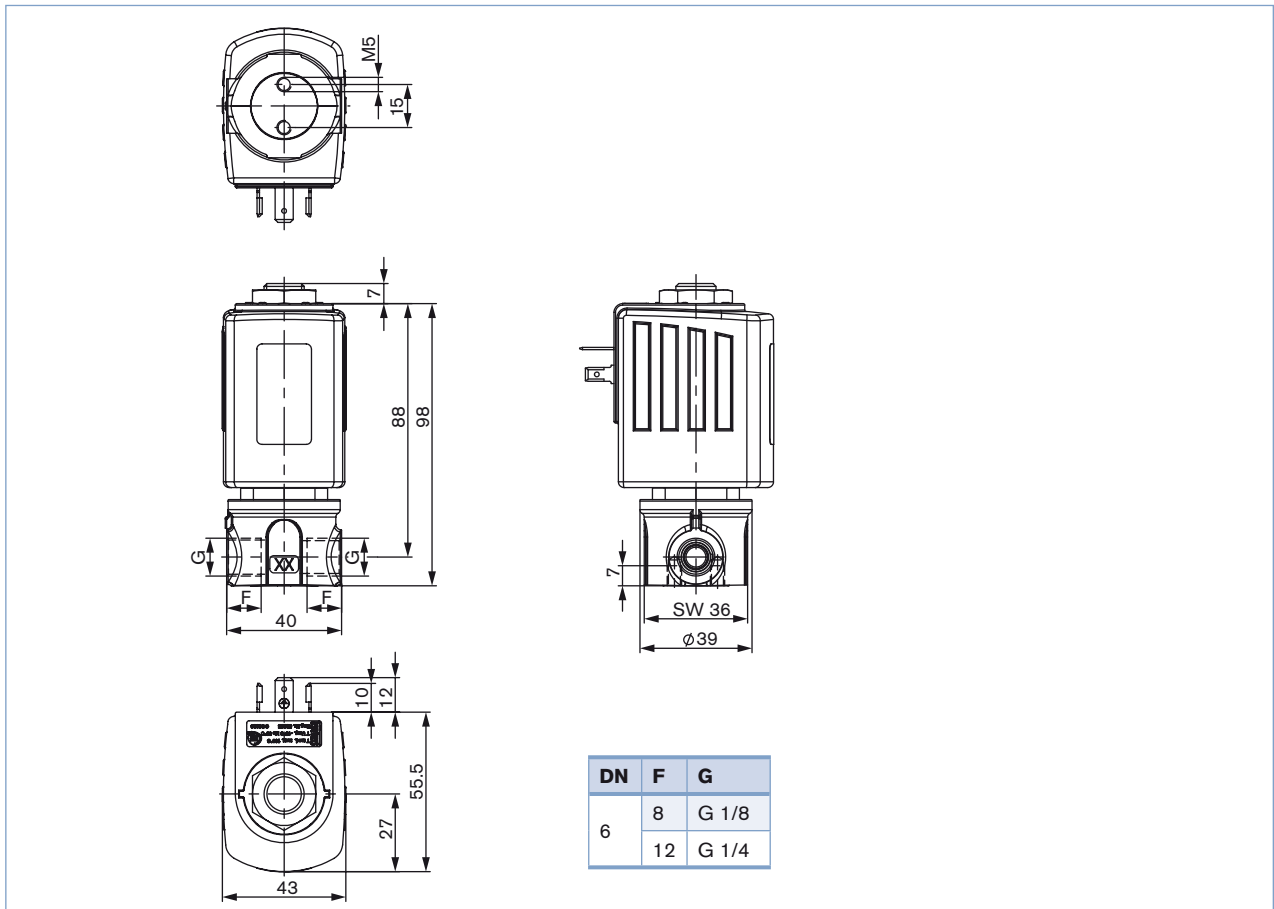
Materials Version DN6



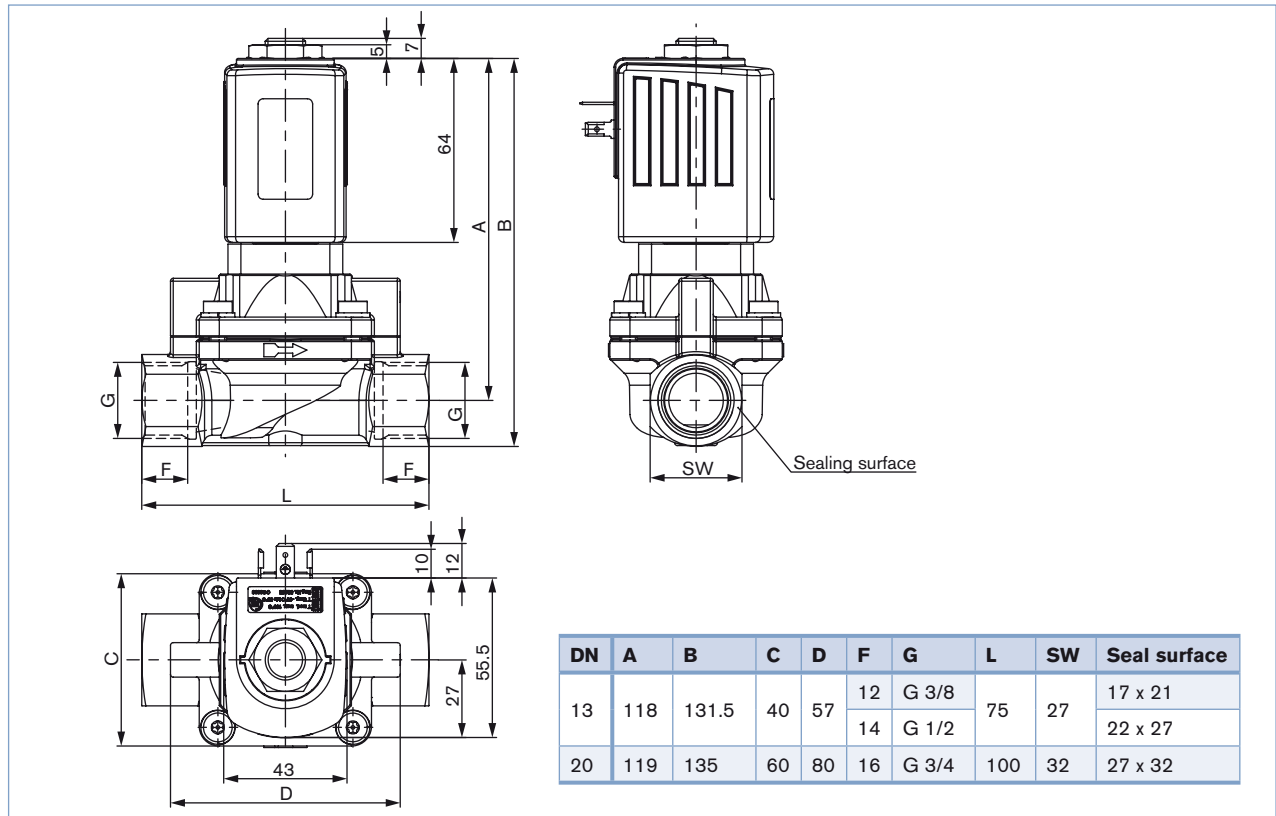
Materials Version DN13, 20



Dimensions [mm] Version DN6




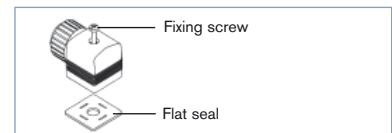
Dimensions [mm] Version DN13, 20



Ordering chart accessories

Cable Plug Type 2508 acc. to DIN EN 175301-803 Form A (previously DIN 43650)

|  | Circuit | Voltage | Item no. |
|---|--|-----------------|----------|
| | None (standard) | 0 - 250 V AC/DC | 008 376 |
| | with LED | 200- 240V | 008 362 |
| | with LED and varistor | 200- 240V | 008 369 |
| | further versions see datasheet Type 2508 | | |



The delivery of a cable plug includes the flat seal and the fixing screw. Further versions of cable plugs acc. to DIN EN 175301-803 A (previously DIN 43650) see datasheet Type 2508.

More info.

To find your nearest Bürkert facility, click on the orange box → www.buerkert.com

In case of special application conditions, please consult for advice.

We reserve the right to make technical changes without notice.
 © Christian Bürkert GmbH & Co. KG

1101/0_EU-en_00895180