

CAUTION: This fixture is designed for permanent installation in ordinary (Non-Hazardous) or wet locations in accordance with the National Electrical Code and all applicable local codes. Do not use in areas of limited ventilation or in high ambient enclosures. The lamp and fixture operate at high temperatures, contact with combustible material can cause fire and personal contact can cause severe burns.

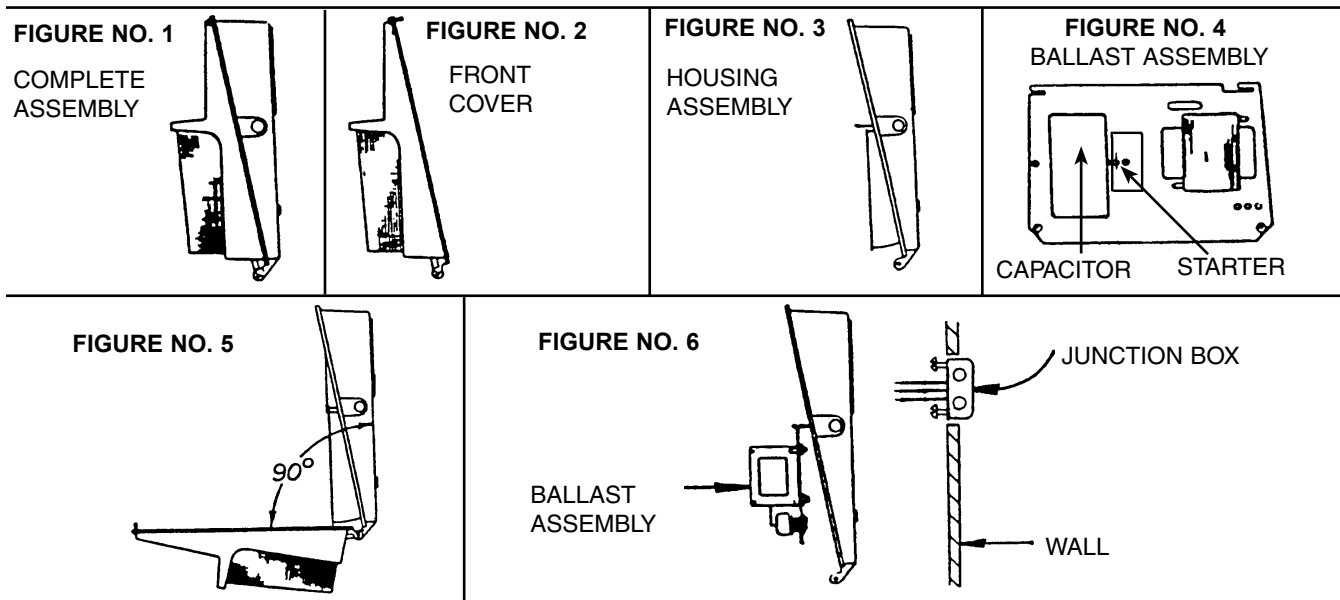
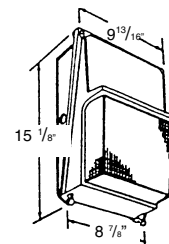
Wallmaster™ HPS/MH Luminaires: Vertical Wall Mount.

For 150, 100, 70, 50 and 35 Watt HPS and 100 watt MH HID Lamps

Your vertical mounted Wallmaster comes complete and ready to install.
Before installing, check fixture for damage.

Caution:

1. Be certain that the electrical power is disconnected before you install fixture.
2. Check that input voltage is the same as fixture voltage stated on ballast leads.



NOTE: USE SUPPLY WIRE SUITABLE FOR 90°C FOR 100, 70, 50 & 35 WATT FIXTURES.

1. Remove front cover (Fig. 2) from housing (Fig. 3) by loosening (2) captive screws. Pivot front cover approx. 90° and align housing hinge tab with slot on front cover (see Fig. 5). Push cover to the right to remove cover from housing.
2. Before proceeding with installation, remove all shrink wrap packaging and check caution Note #1. Loosen ballast plate screws and swing ballast plate out to rest on reflector. Install housing to wall with input leads pulled into housing approx. 6" (See Fig. Nos. 4 & 6).
3. Connect ground lead (**GREEN**) to green ground screw furnished in housing.
4. **Warning** - Risk of Electric Shock! - High temperature in fixture. Fiberglass sleeving must be used over the incoming supply leads to protect them from high temperature. Cut supply leads so that entire length is covered by sleeving, and tie a knot in leads to retain sleeving. Connect proper ballast line lead to power supply lead, and ballast common lead to supply common lead. Make sure to position connections in junction box and not inside housing. (Check Caution Note #2.)
5. Close ballast assembly. Tighten screws.
6. Re-Assemble front cover (Fig. 2) to housing (Fig. 3) by reversing procedure described in step #1 (See Fig. 5).
7. Install proper lamp, close cover and tighten hardware.
8. **Warning:** Use silicone caulking compound around perimeter of fixture between fixture and mounting surface and around conduit fitting to provide a watertight seal.