

# ATX™ UPR Series 16 Amp Plugs and Sockets

## Increased Safety

ATEX/IECEX:  
Zone 1 and 2 - 21 and 22  
⊕ II 2 GD  
IP66 - IK09

### Applications

- Plugs and receptacles are used with portable or stationery electrical equipment such as:
  - Lighting systems
  - Conveyors
  - Heaters
  - Motor generators
  - Air conditioning equipment
  - Compressors
  - Pumps
- For use in corrosive atmospheres and installations in Zone 1 and 2 and 21 and 22 of the oil and gas industry; such as:
  - Refineries
  - Chemical and petrochemical plants
  - Pipelines
  - Loading docks
  - Onshore and offshore drilling platforms

### Features

- Plug and socket system is designed with a mechanical interlock to insure disengagement cannot occur while energized.
- Large ON/OFF actuator on the receptacle gives clear, visible indication of the receptacle status for maximum hazardous location protection.
- Low Voltage receptacle can be locked in 0 (Off) and 1 (On) positions.
- Different voltages are color coded for easy identification.
- The receptacles are keyed to accept UPR plugs of the proper voltage.
- Receptacle explosionproof switch.
- UPR plugs can be used in non-hazardous IEC 60309-2 sockets.
- Operating temperature of -20 °C to +55 °C (-4 °F to +131 °F)

### Standard Materials

- Wall Socket: polyamide
- Plug: polyamide

### ATEX/IECEX Certifications and Compliances

- Certification Type UPR
  - Gas: Zones 1 and 2
    - Conforming to ATEX 94/9/CE: ⊕ II 2 G
    - Type of Protection: Ex db eb IIB
    - Temperature Class: T6 for  $T_a \leq +40$  °C (+104 °F) and T5 for +55 °C (+131 °F)
  - Dust: Zones 21 and 22
    - Conforming to ATEX 94/9/CE: ⊕ II 2 D
    - Type of Protection: Ex tb IIIB
    - Surface Temperature: T79 °C [ $T_a + 40$  °C (+104 °F)]; T94 °C [ $(T_a + 55$  °C (+131 °F)]
- Ambient Temperature: -20 °C  $\leq T_a \leq +55$  °C (-4 °F  $\leq T_a \leq +131$  °F)
- Index of Protection according EN/IEC 60529: IP66
- Impact Resistance (shock): IK09
- CE Declaration of Conformity: 50311
- ATEX Certificate: LCIE 15 ATEX 3054X
- IECEx Certificate: IECEx LCIE 15.0044X



Wall Mounting Socket



Plug

### Technical Data

Breaking Capacity		
AC1	16 Amp	690 Vac
AC3	8 Amp	500 Vac
	4 Amp	690 Vac
AC15	16 Amp	690 Vac
	10 Amp	415 Vac
DC1	10 Amp	24 Vdc
	6 Amp	50 vdc

Short Circuit Withstand (ICC) : 10kA

# ATX™ UPR Series 16 Amp Plugs and Sockets

Increased Safety

ATEX/IECEX:  
Zone 1 and 2 - 21 and 22  
II 2 GD  
IP66 - IK09



**Wall Mounting Socket (LV)**

- Two M25 threaded entries on the bottom. Available on top upon request.
- Supplied with one M25 cable gland – Ø 8 to Ø 18.5 mm (0.31 to 0.73 in) and one M25 blanking plug.
- Terminal capacity 2 x 2.5 to 4 mm<sup>2</sup> (#14 to #12 AWG). Can be through-wired up to 4 mm<sup>2</sup> (#12 AWG).
- Fitted with two linked earth terminals.



**Plug (LV)**

- Integrated cable clamp – Ø 9.2 to Ø 17 mm (0.36 to 0.67 in).
- Terminal capacity 2.5 to 4 mm<sup>2</sup> (#14 to #12 AWG).

**LV: Low Voltage**

Yellow	Blue	Red	Black
100/130 Vac	200/250 Vac	380/415 Vac	480/500 Vac
			600/690 Vac

PLUGS AND RECEPTACLES: ATEX/IECEX FLAMEPROOF

Appleton

# ATX™ UPR Series 16 Amp Plugs and Sockets

## Increased Safety

ATEX/IECEX:  
 Zone 1 and 2 - 21 and 22  
 II 2 GD  
 IP66 - IK09

Description	Pin Configuration	Weight kg (lb)	Volume dm <sup>3</sup> (in <sup>3</sup> )	Color	Catalog Number
<b>Low Voltage: LV</b>					
<b>100/130 Vac 50/60 Hz - Yellow</b>					
Wall Socket		1.29 (2.84)	11.30 (689.57)	Yellow	<b>UPR316RY4</b>
Plug		0.31 (0.68)	2.40 (146.46)	Yellow	<b>UPR316PY4</b>
<b>200/250 Vac 50/60 Hz - Blue</b>					
Wall Socket		1.29 (2.84)	11.30 (689.57)	Blue	<b>UPR316RB6</b>
Plug		0.31 (0.68)	2.40 (146.46)	Blue	<b>UPR316PB6</b>
Wall Socket		1.39 (3.06)	11.30 (689.57)	Blue	<b>UPR416RB9</b>
Plug		0.38 (0.84)	2.40 (146.46)	Blue	<b>UPR416PB9</b>
Wall Socket		1.43 (3.15)	11.30 (689.57)	Blue	<b>UPR516RB9</b>
Plug	 (1) 120/208 V - 144/250 Vac 50/60 Hz	0.41 (0.90)	2.40 (146.46)	Blue	<b>UPR516PB9</b>
<b>380/415 Vac 50/60 Hz - Red</b>					
Wall Socket		1.39 (3.06)	11.30 (689.57)	Red	<b>UPR416RR6</b>
Plug		0.38 (0.84)	2.40 (146.46)	Red	<b>UPR416PR6</b>
Wall Socket		1.43 (3.15)	11.30 (689.57)	Red	<b>UPR516RR6</b>
Plug	 (2) 200/346 V - 240/415 Vac 50/60 Hz	0.41 (0.90)	2.40 (146.46)	Red	<b>UPR516PR6</b>
<b>480/500 Vac 50/60 Hz - Black</b>					
Wall Socket		1.39 (3.06)	11.30 (689.57)	Black	<b>UPR416RN7</b>
Plug		0.38 (0.84)	2.40 (146.46)	Black	<b>UPR416PN7</b>
Wall Socket		1.43 (3.15)	11.30 (689.57)	Black	<b>UPR516RN7</b>
Plug	 (3) 277/480-288/500 Vac 50/60Hz	0.41 (0.90)	2.40 (146.46)	Black	<b>UPR516PN7</b>

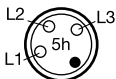
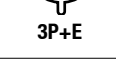
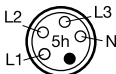
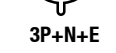
# ATX™ UPR Series 16 Amp Plugs and Sockets

Increased Safety

ATEX/IECEX:  
 Zone 1 and 2 - 21 and 22  
 II 2 GD  
 IP66 - IK09

Appleton®

PLUGS AND RECEPTACLES: ATEX/IECEX FLAMEPROOF

Description	Pin Configuration	Weight kg (lb)	Volume dm <sup>3</sup> (in <sup>3</sup> )	Color	Catalog Number
<b>Low Voltage: LV</b>					
<b>600/690 Vac 50/60 Hz - Black</b>					
Wall Socket		1.39 (3.06)	11.30 (689.57)	Black	<b>UPR416RN5</b>
Plug		0.38 (0.84)	2.40 (146.46)	Black	<b>UPR416PN5</b>
Wall Socket		1.43 (3.15)	11.30 (689.57)	Black	<b>UPR516RN5</b>
Plug		0.41 (0.90)	2.40 (146.46)	Black	<b>UPR516PN5</b>

# ATX™ UPR Series 16 Amp Plugs and Sockets

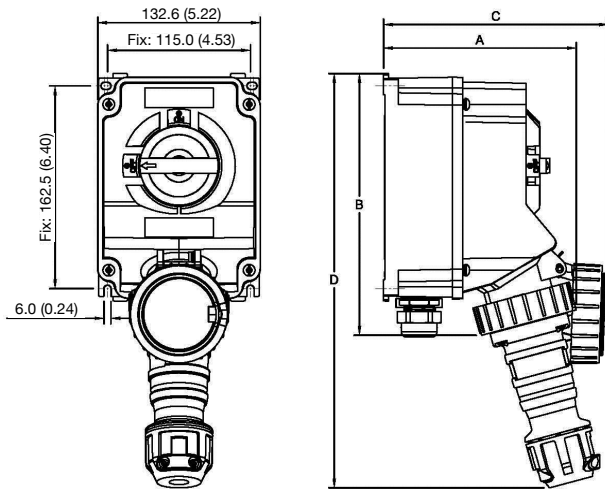
Increased Safety

ATEX/IECEX:  
 Zone 1 and 2 - 21 and 22  
 II 2 GD  
 IP66 - IK09

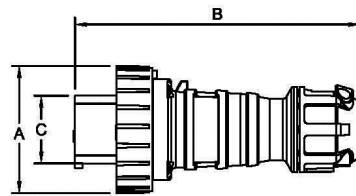
Dimensions in Millimeters (Inches)

16A – 2P+E – 3P+E – 3P+N+E Versions

Wall Mounting Sockets



Plugs



Dimensions in Millimeters (Inches)

	A	B	C	D
2 P + E	157.0 (6.18)	211.0 (8.31)	183.5 (7.22)	335.0 (13.19)
3 P + E	161.0 (6.34)	215.0 (8.47)	193.0 (7.60)	335.0 (13.19)
3 P + N + E	163.0 (6.42)	215.0 (8.47)	193.0 (7.60)	335.0 (13.19)

Dimensions in Millimeters (Inches)

	A	B	C
2 P + E	81.0 (3.19)	183.0 (7.20)	44.0 (1.73)
3 P + E	89.0 (3.50)	183.0 (7.20)	49.0 (1.93)
3 P + N + E	93.5 (3.68)	183.0 (7.20)	56.0 (2.20)