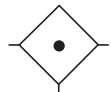


Coalescing Filter M30

= "Most Popular"

B

Filters, Regulators, Lubricators



Coalescing Filter



Auto Drain



M30-04-000

Features

- Manual Drain
- 0.01 Micron Rated Filter Element
- Quick-disconnect Bowl Guard with Integral Plastic Bowl and Safety Latch
- Differential Pressure Indicator

Specifications

Flow Capacity*	1/2	123 SCFM (58.2 dm ³ /s)
	3/4	173 SCFM (81.0 dm ³ /s)
	1	203 SCFM (96.0 dm ³ /s)
Maximum Supply Pressure	Plastic Bowl	150 PSIG (10.3 bar)
	Metal Bowl	200 PSIG (13.8 bar)
Operating Temperature	Plastic Bowl	32° to 125°F (0° to 52°C)
	Metal Bowl	32° to 150°F (0° to 65.5°C)
Port Size	NPT / BSPP-G 1/2, 3/4, 1	
Bowl Capacity	2.0 oz	
Standard Filtration	Micron	(B) 0.5, (C) 0.01 (D) 0.003 ppm / wt**

Weight 5.4 lb. (2.4 kg)

* Inlet pressure 150 PSIG (10.3 bar). Pressure drop of 3 PSID (0.2 bar).

** Filtration temperature of 70°F (21°C) @100 PSIG (6.9 bar) with typical compressor lubricating oil and protected by Type "C" filter.

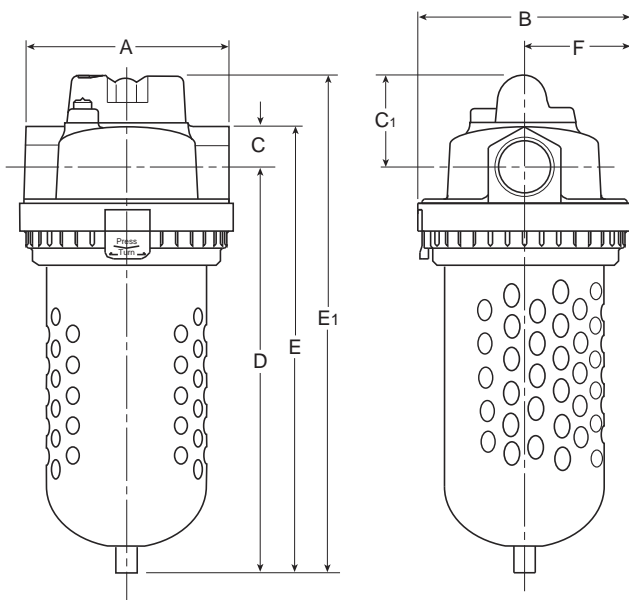
"M" Series Coalescing Filters, with Type "B" 0.5 micron elements: All Wilkerson Type "M" Oil Removal (Coalescing) Filters with Type "B" 0.5 micron elements **exceed ISO Class 2** for maximum particle size and concentration of solid contaminants, and exceed Class 3 on maximum oil content (ppm/wt).

"M" Series Coalescing Filters, with Type "C" 0.01 micron elements: All Wilkerson Type "M" Oil Removal (Coalescing) Filters with Type "C" 0.01 micron elements **exceed ISO Class 1** for maximum particle size and concentration of solid contaminants, and exceed Class 1 on maximum oil content (ppm/wt).

"M" Series Adsorption Filters, with Type "D" 0.003 micron activated carbon elements: All Wilkerson Type "M" adsorption filters with Type "D" 0.003 micron activated carbon elements **exceed ISO Class 1** on maximum oil content (ppm/wt).

Materials of Construction

Body	Zinc	
Bowls	Plastic Bowl	Polycarbonate
	Metal Bowl	Aluminum
Element Retainer	Brass Stud	
Filter Elements	Type "B", "C"	Borosilicate Cloth
	Type "D"	Activated Carbon
Seals	Fluorocarbon	



Dimensions

Models	Inches (mm)	A	B	C	C ₁	D	E	E ₁	F
Standard Unit M30-XX-000		4.61 (117)	4.80 (122)	.94 (24)	1.77 (44.9)	9.13 (232)	10.07 (255.8)	10.90 (270)	2.40 (61)
Automatic Drain M30-XX-F00		4.61 (117)	4.80 (122)	.94 (24)	1.77 (44.9)	9.27 (235)	10.21 (259)	11.04 (273.5)	2.40 (61)
Metal Bowl M30-XX-M00		4.61 (117)	4.80 (122)	.94 (24)	1.77 (44.9)	8.73 (221.7)	9.67 (245.6)	10.50 (267)	2.40 (61)

 = "Most Popular"

Replacement Bowl Kits

- Metal Bowl –
 - Manual Drain FRP-95-593
 - Auto Drain..... GRP-95-970

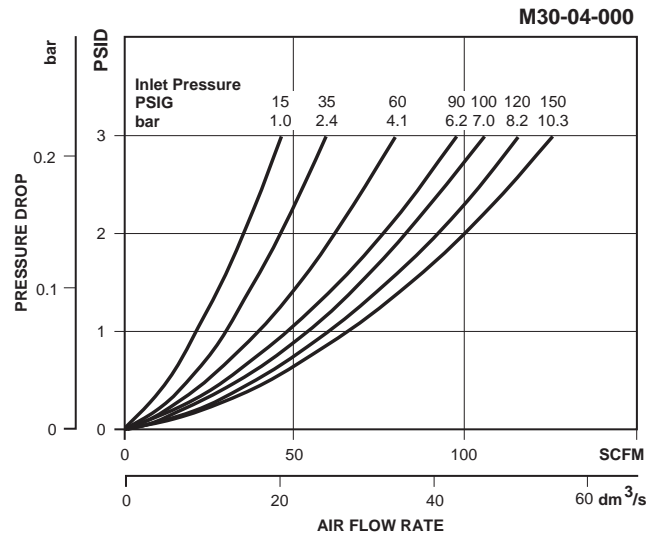
- Plastic Bowl –
 - Manual Drain FRP-96-315
 - Bowl Guard, Manual Drain FRP-95-832
 - Bowl Guard, Auto Drain FRP-95-775

Replacement Element Kits

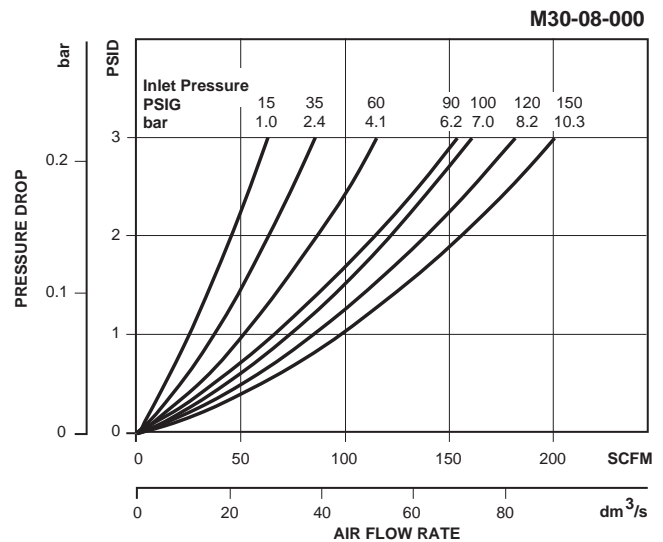
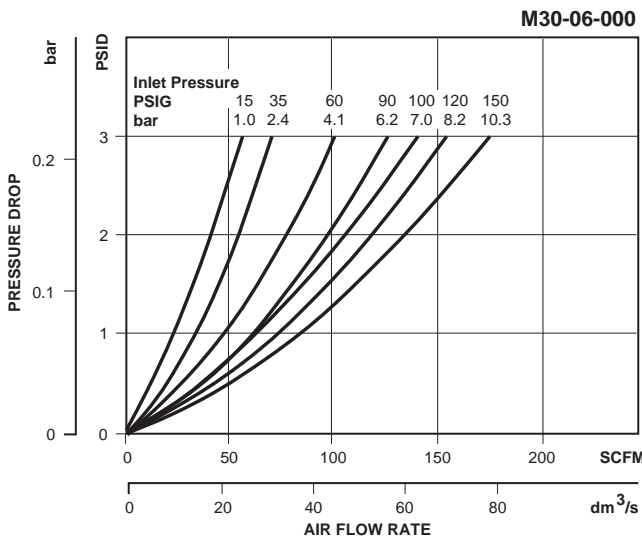
- Type "B", 0.5 Micron..... MSP-95-992
- Type "C", 0.01 Micron..... MTP-95-551
- Type "D", Oil Vapor Removing..... MXP-95-532

Accessories

- Automatic Mechanical Drain GRP-95-973
- Cap, Differential Pressure Indicator –
 - For pressures over 150 PSIG..... GRP-95-020
- Differential Pressure Indicator DP2-02-000
- Manual Flex-Tip..... FRP-95-610
- Sight Gauge Kit..... LRP-95-771
- Wall Mounting Bracket, U-Bolt Pipe Clamp..... GRP-95-734



B
Filters, Regulators, Lubricators



Ordering Information

Model Type	Port Size	Polycarbonate Bowl / Bowl Guard / "C" Element	Metal Bowl / "C" Element	Polycarbonate Bowl / Bowl Guard / "B" Element	Polycarbonate Bowl / Bowl Guard / "D" Element (No DPI)
Manual Drain	1/2	M30-04-000	M30-04-M00	M30-04-S00	M30-04-X00
	3/4	M30-06-000	M30-06-M00	M30-06-S00	M30-06-X00
	1	M30-08-000	M30-08-M00	M30-08-S00	M30-08-X00
Automatic Drain	1/2	M30-04-F00	M30-04-FM0	M30-04-FS0	—
	3/4	M30-06-F00	M30-06-FM0	M30-06-FS0	—
	1	M30-08-F00	M30-08-FM0	M30-08-FS0	—

Options - To order an option supplied with the unit model, add the appropriate coded suffix letter in the designated position of the model number.