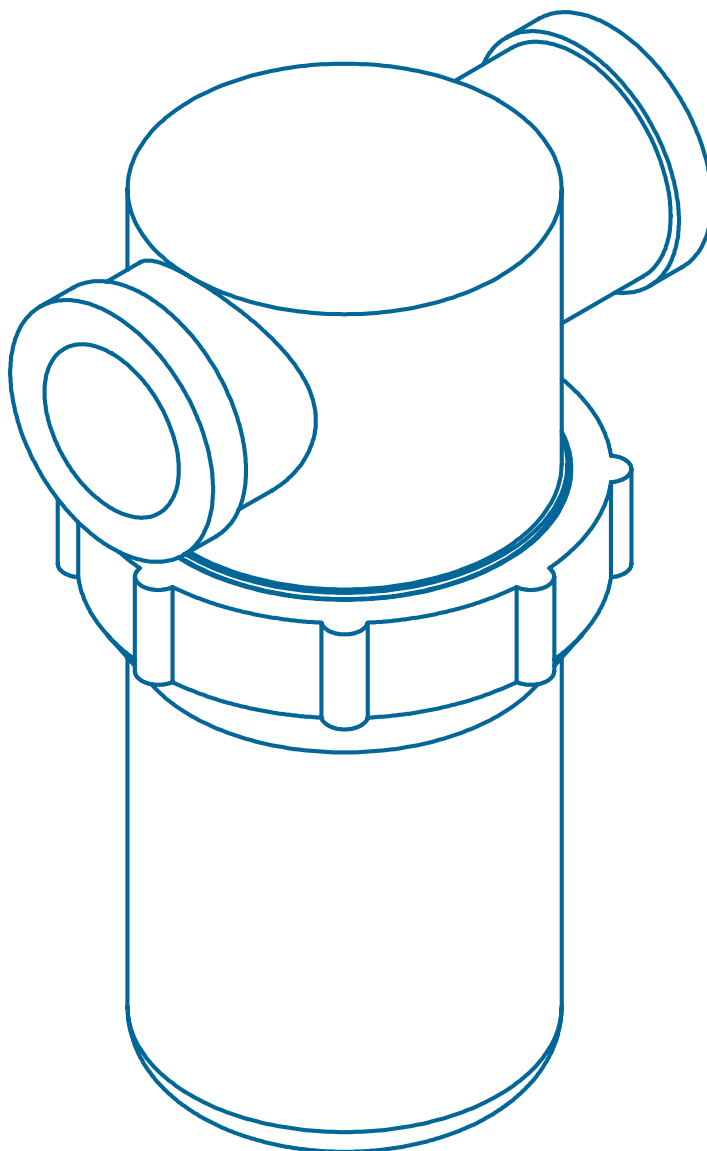
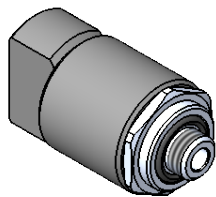


SYSTEM ACCESSORIES

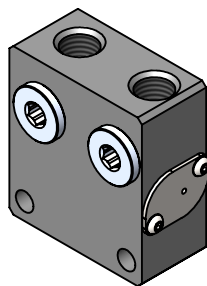
SECTION 5



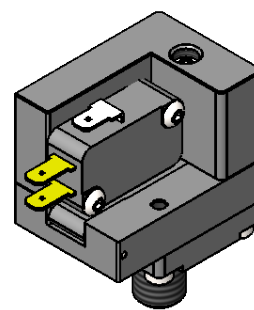
VACUUM SYSTEM ACCESSORIES



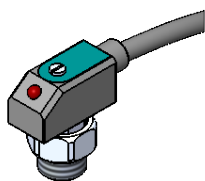
Release Check Valves



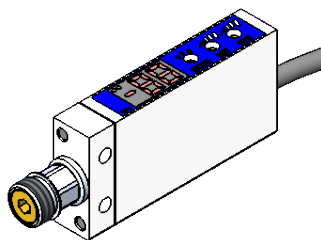
Vacloc



Mechanical Switches



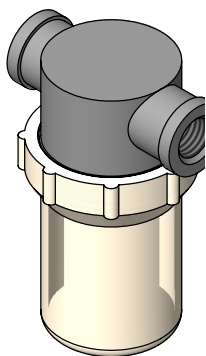
Electronic Sensors



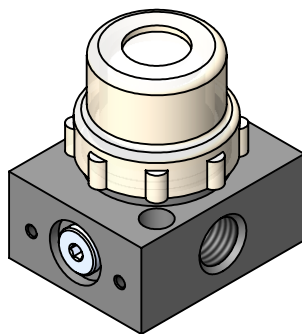
Digital Sensors



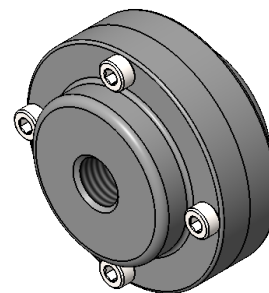
Vacuum Switch Protector



T-Style Filters

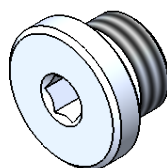


Aluminum Base Filters

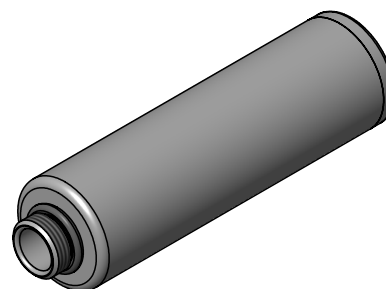


Inline Filter

Check Valves	3
Vacloc	4
Mechanical Switches	6
Electronic Sensors	8
Digital Sensors	9
Vacuum Switch Protector	12
T-Style Filters	12
Alumium Base Filters	13
Inline Filter	15
Pipe Plugs	15
Silencers	16



Pipe Plugs

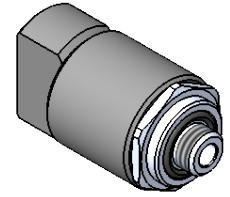


Silencers

RELEASE CHECK VALVES

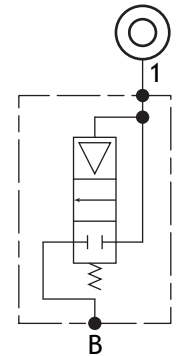
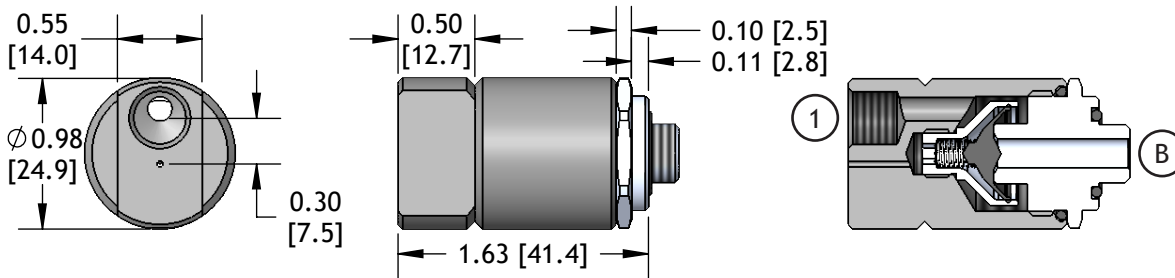
RC18A

The RC18A release check valve employs a normally closed valve to seal against pump vacuum without leaking. When a compressed air supply is applied, the release valve shifts to open at only 5 psi (0.3 bar) so that a full-flow burst of air can quickly dissipate (blow-off) system vacuum (minimum 5 psi air supply required). Once shifted, the valve doesn't try to close, but remains open. Once the compressed air source is removed, the valve automatically resets to a closed position. The RC18A should be used for high-flow vacuum release applications such as those involving vacuum reservoirs or larger, single-stage or multi-stage vacuum pumps.



50 psi Max Air Pressure
Weight: lbs [g]
0.11 [48.5]

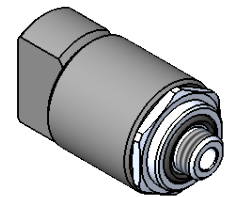
Competitive products are simply check valves with a 30-40 psi (2-3 bar) cracking pressure. The high cracking pressure is necessary to insure a tight seal against vacuum developed by the pump. When a compressed air supply is applied to open the valve for blow-off, the internal spring immediately tries to close the valve as soon as flow begins. This has the effect of subtracting the valve cracking pressure from the blow-off air pressure. Because of this, these systems normally have to operate at above 50 psi (3.5 bar), which wastes compressed air.



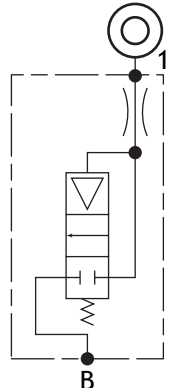
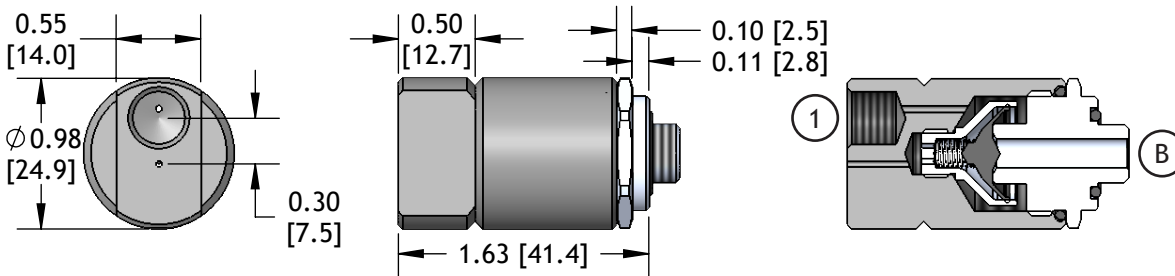
Code	Function	Ports
B	Blow-Off	G 1/8 NPSF
1	Blow-Off Air Pulse	G 1/8 NPSF

RC18-040A

The RC18-040A operates the same as the RC18A but includes a 0.040 in (1 mm) balancing orifice to meter the air-flow when multiple release check valves are supplied air from the same blow-off control valves. Without the balancing orifice in each release check valve, the air would follow the path of least resistance. This would starve some release check valves of air while others would have a flow many times greater than necessary.



50 psi Max Air Pressure
Weight: lbs [g]
0.11 [48.5]



Code	Function	Ports
B	Blow-Off	G 1/8 NPSF
1	Blow-Off Air Pulse	G 1/8 NPSF

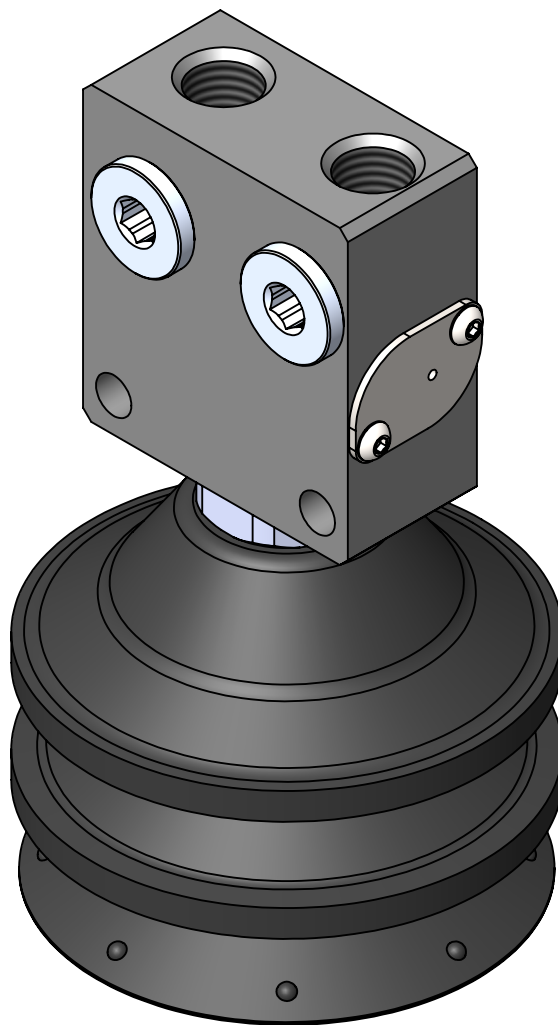
VACLOC

Vacloc valves provide fail-safe operation in leak-free systems. If the vacuum source is lost, or is purposefully interrupted, the Vacloc will trap vacuum for an indefinite time period so the load can be lowered to a safe position.

Modular Vacloc valves include a vacuum check valve and a sequence blow valve installed in a cartridge body for perfect alignment. Valve seats are electroless-nickel plated to allow for long life. A one-piece work-attachment body eliminates secondary vacuum leak paths and the potential for loosening or separation during operation.

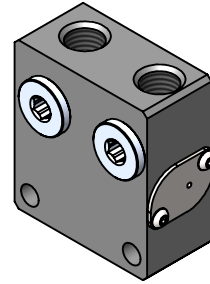
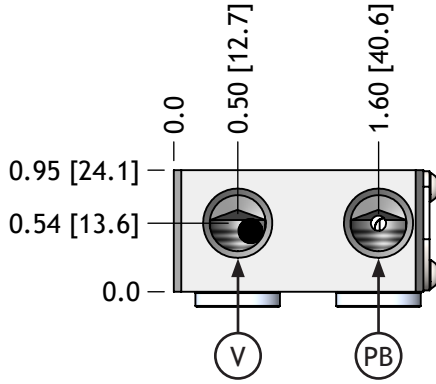
A high-efficiency sequence valve remains fully open during blow-off so chattering, humming, and squealing noises are eliminated. Compressed air consumption is reduced significantly by using lower air-pressure during the blow-off mode. An internal orifice balances air-flow so that several Vacloc blow-off ports may be supplied and controlled by one solenoid valve.

Vaclocs can also be ordered with an integrated ER Series venturi. For Vaclocs with integrated pumps, see Section 14: Single-Stage Pumps.

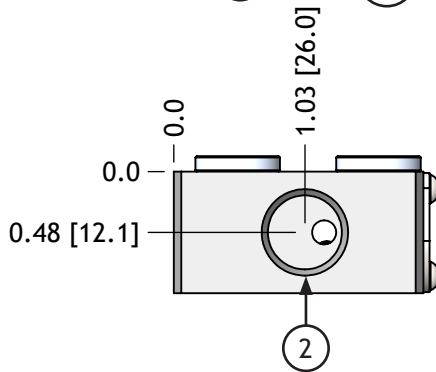
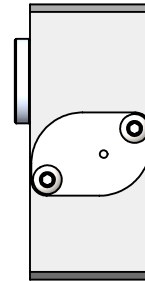
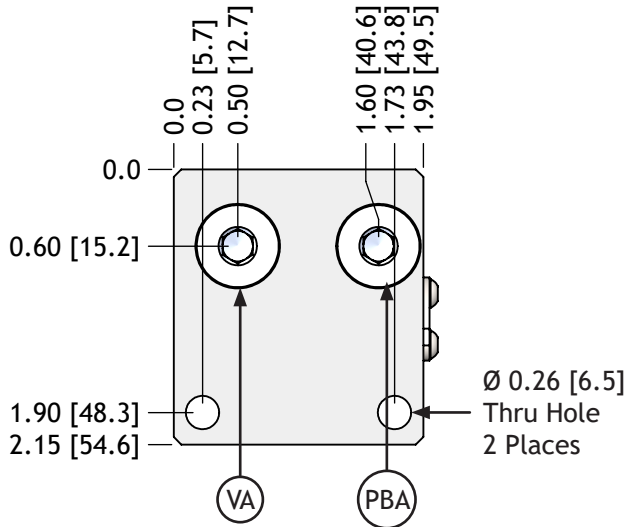


VACLOC

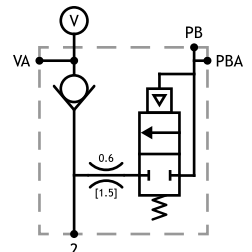
Ports	
VL38F	
(Blank)	NPT Threads
-G	G Threads



Weight: 0.33 lb [151.6 g]



Code	Function	NPT	G
V	Vacuum Source	1/4 NPTF	G 1/4
VA	Alternate Vacuum Source	1/4 NPTF	G 1/4
PB	Pilot Signal - Blow-Off	1/4 NPTF	G 1/4
PBA	Alternate Pilot Signal - Blow-Off	1/4 NPTF	G 1/4
2	Vacuum	3/8 NPSF	G 3/8

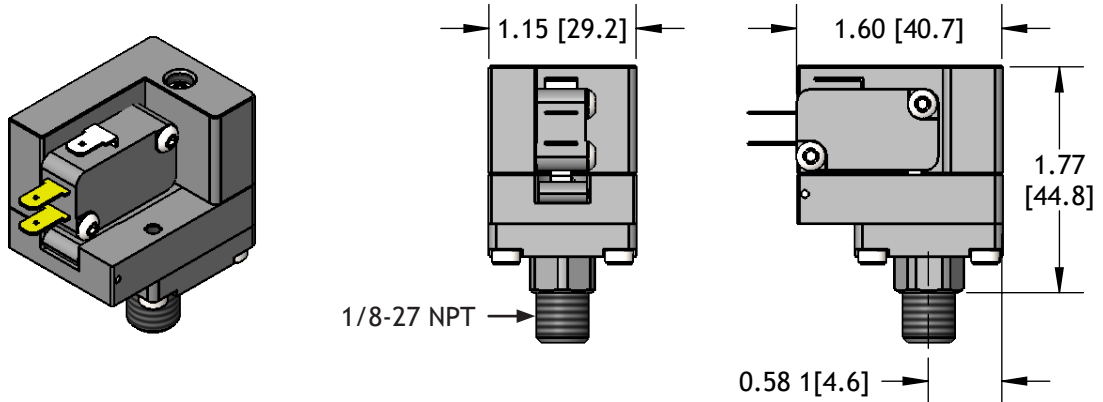


MECHANICAL PRESSURE SWITCHES

ELECTRICAL OUTPUT: PSA18-E

Electrical Pressure Sensors come with UL and CSA snap action, silver contact, SPDT (Single Pole Double Throw) switch with 0.187 in (4.75 mm) spade terminals. Triple terminal electrical connector and insulator kit for attaching wires is included.

Construction: aluminum housing, stainless steel spring and fasteners, nylon reinforced Nitrile diaphragm

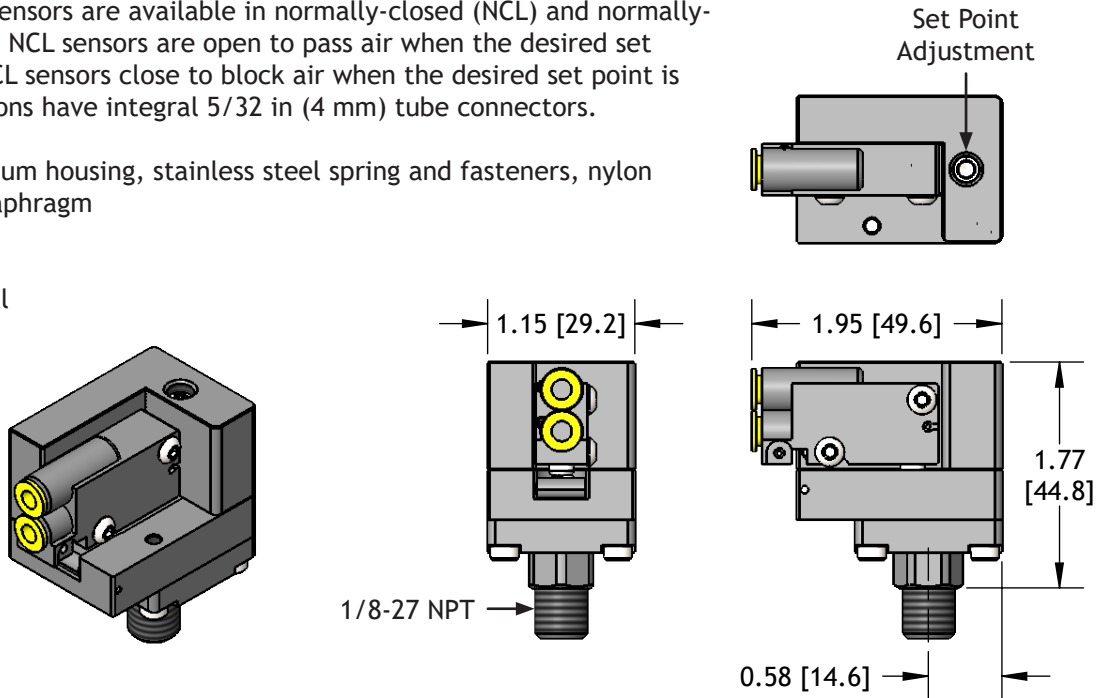


PNEUMATIC OUTPUT: PSA18-NOP / PSA18-NCL

Pneumatic Vacuum Sensors are available in normally-closed (NCL) and normally-open (NOP) versions. NCL sensors are open to pass air when the desired set point is achieved. NCL sensors close to block air when the desired set point is achieved. Both versions have integral 5/32 in (4 mm) tube connectors.

Construction: aluminum housing, stainless steel spring and fasteners, nylon reinforced Nitrile diaphragm

- Port 1 - Air Supply
- Port 2 - Output Signal



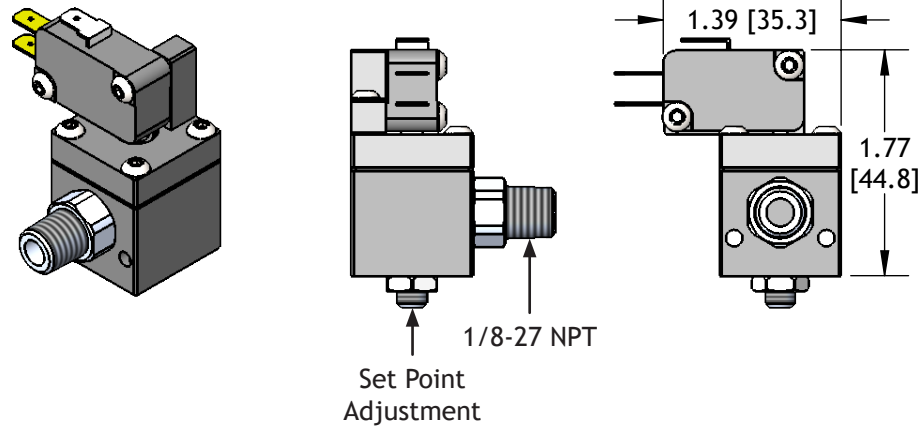
Vacuum Adjustment Range:	10 to 140 psi [0.69 to 9.65 bar]
Temperature Range:	-20°F to 140°F [-29°C to 60°C]
Electrical:	5 Amp @ 125 V AC, 250 V AC Max
Air Valve:	20 to 115 psi [1.4 to 7.9 bar]; Cv = 0.06; 2.5 SCFM [71 NI/m]
Weight:	3.20 oz [90.7 g]

MECHANICAL VACUUM SWITCHES

ELECTRICAL OUTPUT: VSA18-E

Electrical Vacuum Sensors come with UL and CSA snap action, silver contact, SPDT (Single Pole Double Throw) switch with 0.187 in (4.75 mm) spade terminals. Triple terminal electrical connector and insulator kit for attaching wires is included.

Construction: aluminum housing, stainless steel spring and fasteners, nylon reinforced Nitrile diaphragm

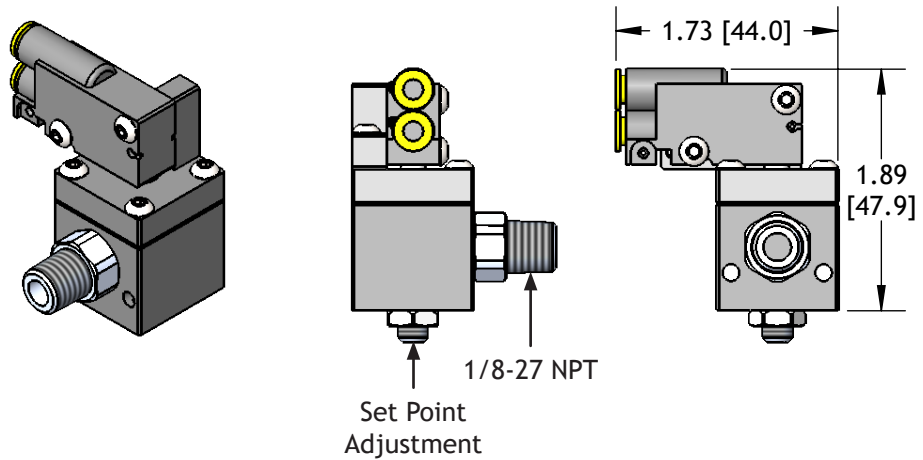


PNEUMATIC OUTPUT: VSA18-NOP / VSA18-NCL

Pneumatic Vacuum Sensors are available in normally-closed (NCL) and normally-open (NOP) versions. NCL sensors are open to pass air when the desired set point is achieved. NCL sensors close to block air when the desired set point is achieved. Both versions have integral 5/32 in (4 mm) tube connectors.

Construction: aluminum housing, stainless steel spring and fasteners, nylon reinforced Nitrile diaphragm

Port 1 - Air Supply
Port 2 - Output Signal

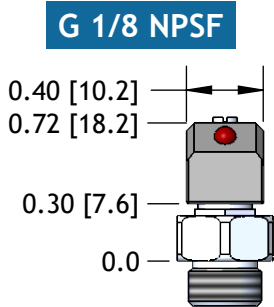
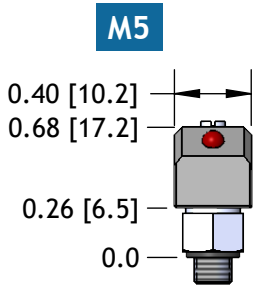
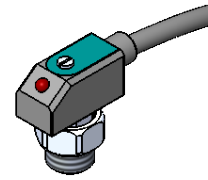


Vacuum Adjustment Range:	-8 to -28 inHG [-27.1 to 94.8 kPa]
Temperature Range:	-20°F to 140°F [-29°C to 60°C]
Electrical:	5 Amp @ 125 V AC, 250 V AC Max
Air Valve:	20 to 100 psi [1.4 to 6.9 bar]; Cv = 0.06; 2.5 SCFM [71 NL/m]
Weight:	2.10 oz [59.0 g]

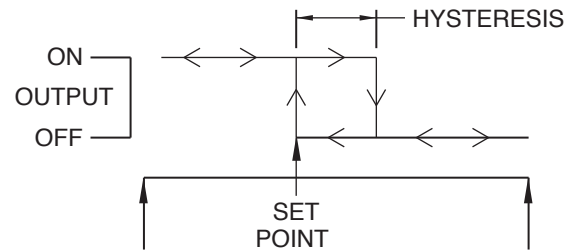
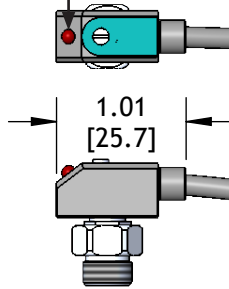
V-STYLE ELECTRONIC SENSORS

Output	Connector	Mounting Thread
V	P	-18M
A ¹	3 3-Pin	(Blank) M5X0.8 Male (10-32)
N	4 4-Pin	-18M G 1/8-27 NPSF Male
P		

¹3-Pin Only

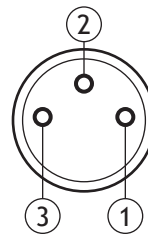


Output LED

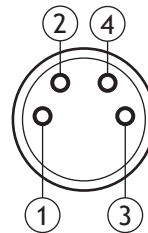


RATED PRESSURE
 -100kPa = 29.9" Hg
 = 100% VACUUM

ATMOSPHERIC PRESSURE:
 0 kPa = 0" Hg
 = 0% VACUUM



- 1. Brown (+)
- 2. Black (OUT)
- 3. Blue (-)



- 1. Brown (+)
- 2. White (not used)
- 3. Blue (-)
- 4. Black (OUT)

Order Cables Separately

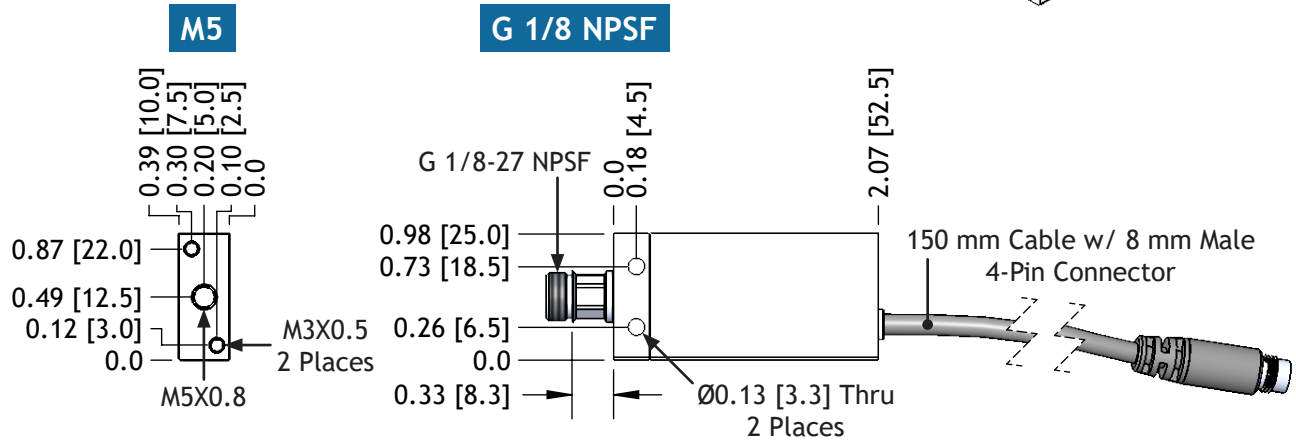
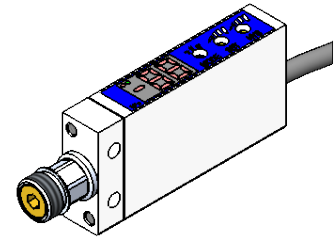
Part Number	Description
3QD2	3-Pin Quick Disconnect, 2 M
3QD5	3-Pin Quick Disconnect, 5 M
4QD2	4-Pin Quick Disconnect, 2 M
4QD5	4-Pin Quick Disconnect, 5 M

Media:	Non-Lubricated Air, Non-Corrosive Gas
Maximum Pressure:	29 psi [200 kPa]
Rated Pressure Range:	0 to -29.5 inHG [0 to 100 kPa]
Operating Pressure:	14°F to 122°F [-10°C to 60°C]
Storage Temperature:	-4°F to 158°F [-20°C to 70°C]
Humidity:	35% to 85% RH
Electrical Connection:	-3 = 3-Pin Pico 8 mm Connector -4 = 4-Pin Pico 8 mm Connector
Operating Voltage:	10.8 to 30 V DC (including ripple)
Current Consumption:	20 mA Max
Display:	Red LED
Circuit:	Analog, NPN, PNP
Setting Accuracy:	±3% F.S. Max
Hysteresis:	Fixed, 2% F.S. Max
Switching Capacity:	30 V DC, 80 mA Max
Response Time:	Approximately 1 ms
Vibration:	10 to 55 Hz 1.5 mm Max, XYZ for 2 hours
Shock:	1,000 m/s ² , XYZ
Insulation Resistance:	100 M Ω Min
Dielectric Strength:	500 V AC for 1 Minute
Analog Output Voltage:	0 inHG [0 kPa] = 1 ± 0.04 V DC -29.5 inHG [-100 kPa] = 5 ± 0.04 V DC
NPN Output Voltage	0.8 V DC Max
PNP Output Voltage:	1.8 V DC Max

Full data sheet with specs, wiring diagram, and operation procedures available at www.edcousa.net.

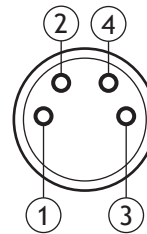
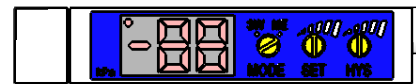
61-SERIES DIGITAL SENSORS

Output	Output	Mounting Thread
DV P - 61	61 1 Output + Analog	18M
N NPN		5F M5X0.8 Female (10-32)
P PNP		18M G 1/8-27 NPSF Male



Media:	non-lubricated air, non-corrosive gas
Maximum Pressure:	29 psi [200 kPa]
Rated Pressure Range:	0 to -29.5 inHG [0 to 100 kPa]
Operating Pressure:	14°F to 140°F [-10°C to 60°C]
Storage Temperature:	-4°F to 158°F [-20°C to 70°C]
Humidity:	35% to 85% RH
Electrical Connection:	4-Pin Pico 8 mm Male Connector
Operating Voltage:	10.8 to 26.4 V DC (including ripple)
Current Consumption:	35 mA Max
Display:	2 Digit, 7 Segment Red LED
Rated Display:	0 to 99
Units:	Percent Vacuum [kPa]
Output Display:	Set (1) - Red LED; Set 2 - Green LED
Display Cycle:	4 Hz
Resolution:	±1 Count
Setting Accuracy:	±3% F.S. Max
Hysteresis:	61 - Adjustable Approx 0% to 15% F.S. 62 - Fixed 2% F.S. Max
Switching Capacity:	30 V DC, 80 mA Max
Response Time:	Approximately 2 ms
Vibration:	10 to 55 Hz 1.5 mm Max, XYZ for 2 hours
Shock:	196 m/s ² , XYZ
Insulation Resistance:	100 M Ω Min
Dielectric Strength:	500 V AC for 1 Minute
Analog Output Voltage:	0 inHG [0 kPa] = 1 ± 0.1 V DC -29.5 inHG [-100 kPa] = 5 ± 0.2 V DC
Analog Output Current:	1 mA Max
Analog Hysteresis / Linearity:	±0.5% F.S.
NPN Output Voltage	0.8 V DC Max
PNP Output Voltage:	1.2 V DC Max
Thermal Error:	±0.1% F.S. / °C Max in range of 32°F to 122°F [0°C to 50°C]

Red LED Output



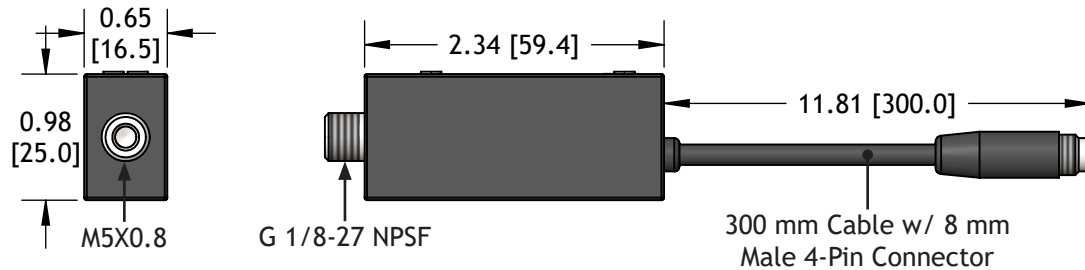
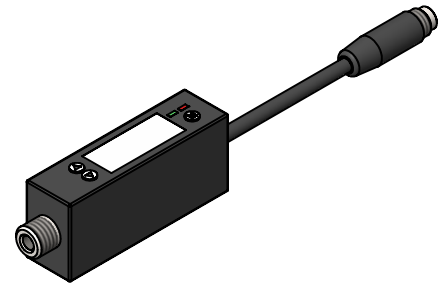
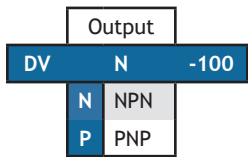
1. Brown (+)
2. White (OUT ANALOG)
3. Blue (-)
4. Black (OUT1)

Order Cables Separately

Part Number	Description
4QD2	4-Pin Quick Disconnect, 2 M
4QD5	4-Pin Quick Disconnect, 5 M

Full data sheet with specs, wiring diagram, and operation procedures available at www.edcousa.net.

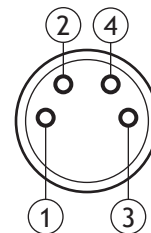
100-SERIES DIGITAL SENSORS



	DVN-100	DVP-100
Rated Pressure Range:	-29.5 - 29.5 inHG	
Setting Pressure Range:	-29.5 - 29.5 inHG	
Withstand Pressure:	88.6 inHG	
Fluid:	filtered air, non-corrosive / non-flammable gases	
Set Pressure Resolution:	kPa	0.1
	kgf/cm ²	0.001
	bar	0.001
	psi	0.01
	inHg	0.1
	mmHg	1
	mmH ₂ O	0.1
Power Supply Voltage:	12 to 24 V DC ± 10%, ripple (P-P) 10% or less	
Current Consumption:	≤ 55mA	
Switch Output:	NPN: open collector 2 outputs max. load current: 100mA max. supply voltage: 30 V DC residual voltage: ≤ 1V	PNP: open collector 2 outputs max. load current: 100mA max. supply voltage: 24 V DC residual voltage: ≤ 1V
Repeatability (Switch Output):	± 0.2% F.S. ± 1 digit	
Hysteresis:	Hysteresis Mode:	adjustable
	Window Comparator Mode:	fixed (3 digits)
Response Time:	≤ 2.5 ms (chattering-proof function: 24 ms, 192 ms and 768ms selections)	
Output Short Circuit Protection:	yes	
7 Segment LED Display:	3 1/2 digit LED display (sampling rate: 5 times / 1 sec)	
Indicator Accuracy:	± 2% F.S. ± 1 digit (ambient temperature 25 ± 3° C)	
Indicator:	OUT 1 = green, OUT 2 = red	
Environment:	Enclosure:	IP40
	Ambient Temp. Range:	operation: 0 - 50° C, storage: -20 - 60° C (no condensation or freezing)
	Ambient Humidity Range:	operation / storage: 35 - 85% RH (no condensation)
	Withstand Voltage:	1,000 V AC in 1-min (between case and lead wire)
	Insulation Resistance:	50 MΩ (at 500 v DC, between case and lead wire)
	Vibration:	total amplitude 1.5mm, 10 Hz scan for 1 minute, 2 hours each direction of x, y, and z
Shock:	980m/s ² (100 G), 3 times each in direction of x, y, and z	
Temperature Characteristic:	± 2% F.S. of detected pressure (25° C) at temp. rang of 0 - 50° C	
Port Size:	G 1/8-27 NPS male, M5 female	
Lead Wire:	oil-resistant cable (0.15mm ²)	
Weight:	approximately 35g (with M8, 4-pin male connector)	



Switch OUT1 (Green LED)
Switch OUT2 (Red LED)



- 1. Brown (+)
- 2. White (OUT2)
- 3. Blue (-)
- 4. Black (OUT1)

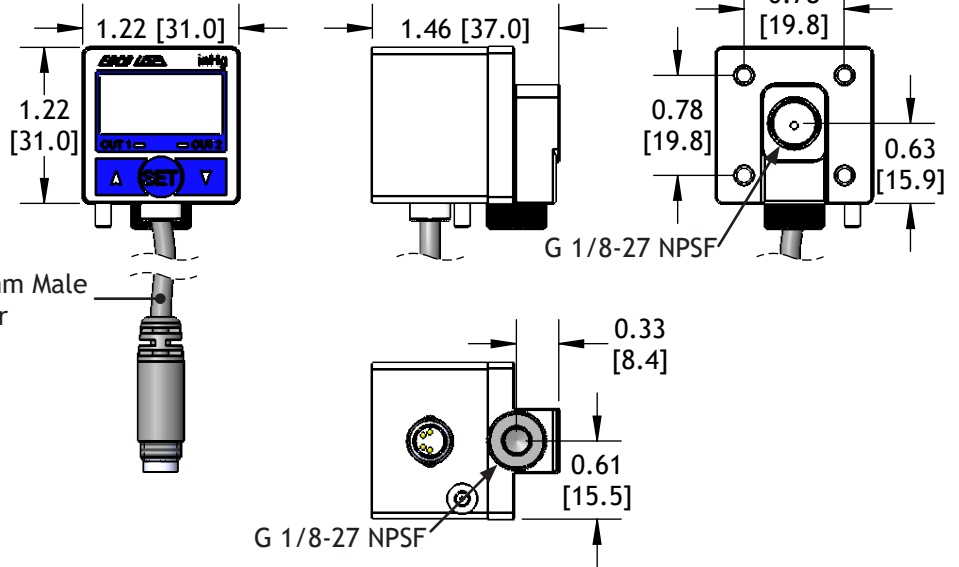
Order Cables Separately

Part Number	Description
4QD2	4-Pin Quick Disconnect, 2 M
4QD5	4-Pin Quick Disconnect, 5 M

Full data sheet with specs, wiring diagram, and operation procedures available at www.edcousa.net.

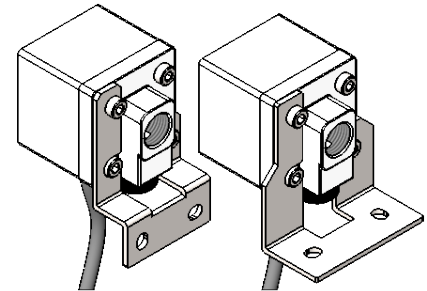
200-SERIES DIGITAL SENSORS

Style	Output	
D	V	N -200
V	Vacuum	N NPN
P	Pressure	P PNP

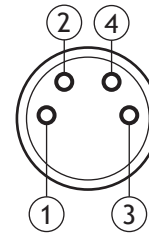


150 mm Cable w/ 8 mm Male 4-Pin Connector

		DV_-200	DP_-200
Rated Pressure Range:		0 - 29.5 inHg	0 - 145.0 psi
Setting Pressure Range:		3.0 - 29.9 inHg	-14.5 - 145.0 psi
Withstand Pressure:		29.0 psi	200.0 psi
Fluid:		filtered air, non-corrosive / non-flammable gases	
Set Pressure Resolution:	kPa	0.1	-
	mPa	-	0.001
	kgf/cm ²	0.001	0.01
	bar	0.001	0.01
	psi	0.01	0.1
	inHg	0.1	-
	mmHg	1	-
	mmH ₂ O	0.1	-
Power Supply Voltage:		12 to 24 V DC ± 10%, ripple (P-P) 10% or less	
Current Consumption:		≤ 55mA	
Switch Output:		NPN: open collector 2 outputs max. load current: 80mA max. supply voltage: 30 V DC residual voltage: ≤ 1V	PNP: open collector 2 outputs max. load current: 80mA max. supply voltage: 24 V DC residual voltage: ≤ 1V
Repeatability (Switch Output):		± 0.2% F.S. ± 1 digit	
Hysteresis:	Hysteresis Mode:	adjustable	
	Window Comparator Mode:	fixed (3 digits)	
Response Time:		≤ 2.5 ms (chattering-proof function: 24 ms, 192 ms and 768ms selections)	
Output Short Circuit Protection:		yes	
7 Segment LED Display:		3 1/2 digit LED display (sampling rate: 5 times / 1 sec)	
Indicator Accuracy:		± 2% F.S. ± 1 digit (ambient temperature 25 ± 3° C)	
Indicator:		OUT 1 = green, OUT 2 = red	
Environment:	Enclosure:	IP65	
	Ambient Temp. Range:	operation: 0 - 50°C, storage: -20 - 60°C (no condensation or freezing)	
	Ambient Humidity Range:	operation / storage: 35 - 85% RH (no condensation)	
	Withstand Voltage:	1,000 V AC in 1-min (between case and lead wire)	
	Insulation Resistance:	50 MΩ (at 500 V DC, between case and lead wire)	
	Vibration:	total amplitude 1.5mm, 10 Hz - 55 Hz - 10 Hz scan for 1 minute, 2 hours each direction of x, y, and z	
Shock:		980m/s ² (100 G), 3 times each in direction of x, y, and z	
Temperature Characteristic:		± 2% F.S. of detected pressure (25° C) at temp. rang of 0 - 50° C	
Port Size:		G 1/8-27 NPS female	
Lead Wire:		oil-resistant cable (0.15mm ²)	
Weight:		approximately 71 g (with M8, 4-pin male connector)	



BT200-A
Optional Mounting Brackets



1. Brown (+)
2. White (OUT2)
3. Blue (-)
4. Black (OUT1)

Order Cables Separately

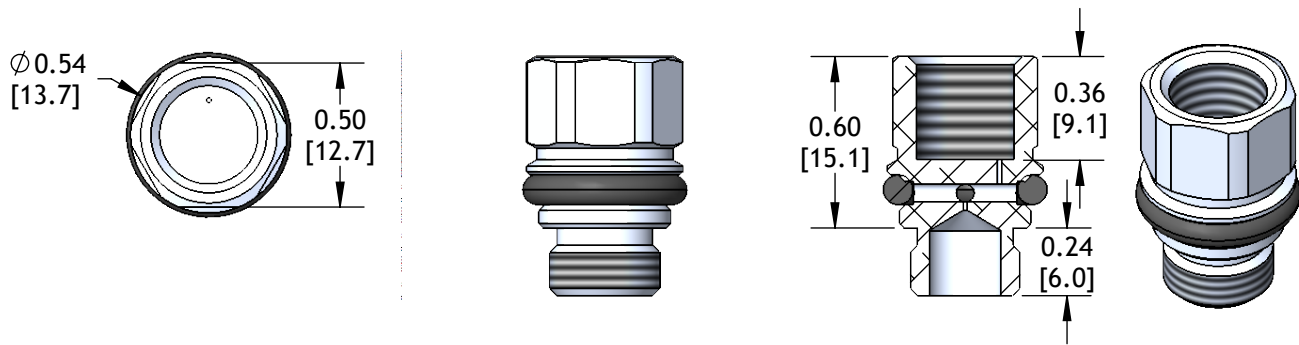
Part Number	Description
4QD2	4-Pin Quick Disconnect, 2 M
4QD5	4-Pin Quick Disconnect, 5 M

Full data sheet with specs, wiring diagram, and operation procedures available at www.edcousa.net.

VSP-18 - VACUUM SWITCH PROTECTOR

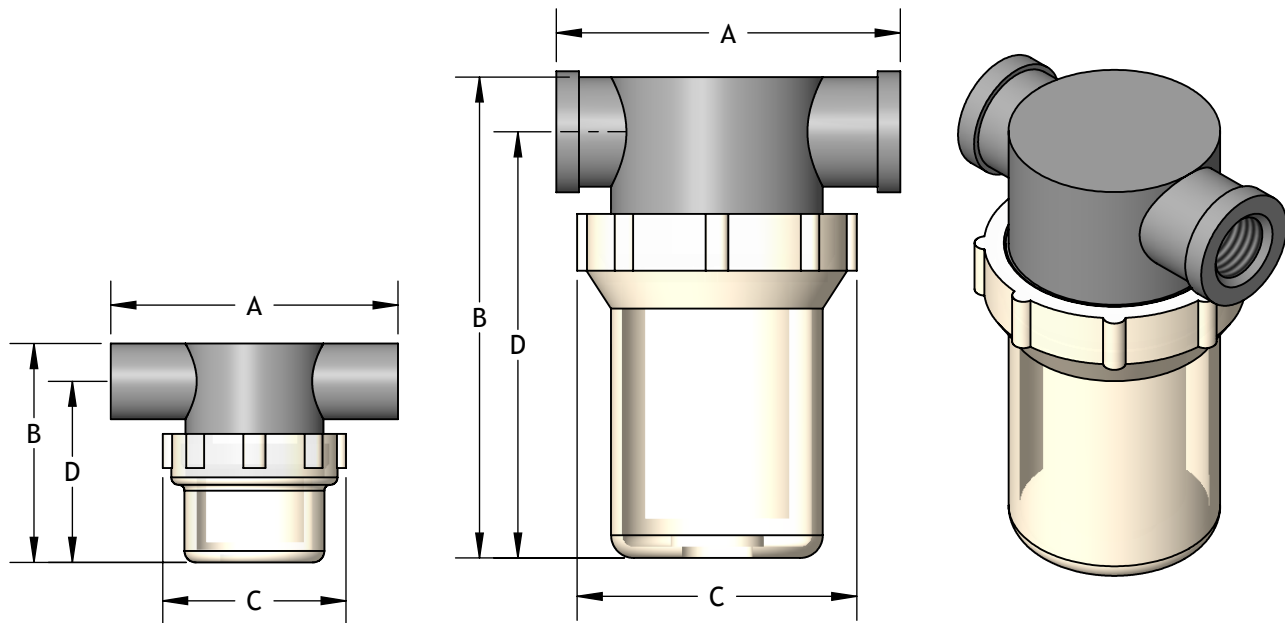
Bi-directional VSP-18 protects vacuum switches or gauges from positive pressure spikes by relieving pressure in excess of 10 psi [0.7 bar] to atmosphere.

Connects to 1/8-27 NPSF or G 1/8-28 threads.



T-STYLE VACUUM FILTERS

Our T-Style Vacuum Filters are made of rugged nylon body with a transparent nylon bowl for checking the condition of the filter at a glance. HDPE filter elements can be easily and quickly replaced without disturbing the system plumbing. T-Style Vacuum Filters are rated for full vacuum or pressure up to 150 psi.



Part Number	Ports	A in [mm]	B in [mm]	C in [mm]	D in [mm]	Weight lb [g]	Filter Element (3 Pack)
PPSF125X10	1/8 NPT Female	3.06 [77.7]	2.42 [61.5]	1.86 [47.2]	1.98 [50.3]	0.13 [59.0]	PPX10RE3
PPSF250X10	1/4 NPT Female	3.06 [77.7]	2.42 [61.5]	1.86 [47.2]	1.98 [50.3]	0.11 [49.9]	PPX10RE3
PPSF250MX10	1/4 NPT Male	3.06 [77.7]	2.42 [61.5]	1.86 [47.2]	1.98 [50.3]	0.11 [49.9]	PPX10RE3
PPSF375X10	3/8 NPT Female	3.06 [77.7]	2.42 [61.5]	1.86 [47.2]	1.98 [50.3]	0.16 [72.6]	PPX10RE3
PPSF500X35	1/2 NPT Female	3.64 [92.5]	5.35 [136.0]	2.95 [74.9]	4.80 [122.0]	0.37 [168.0]	PPX35RE3
PPSF750X35 ¹	3/4 NPT Female	3.60 [91.4]	5.40 [137.2]	2.93 [74.4]	4.68 [118.7]	0.40 [181.0]	PPX35RE3
PPSF100X50 ¹	1 NPT Female	4.62 [117.0]	6.36 [162.0]	4.00 [102.0]	5.60 [146.0]	0.94 [426.0]	PPX50RE3
PPSF150X75	1-1/2 NPT Female	5.16 [131.0]	8.10 [206.0]	4.00 [102.0]	6.93 [176.0]	1.18 [535.0]	PPX75RE3

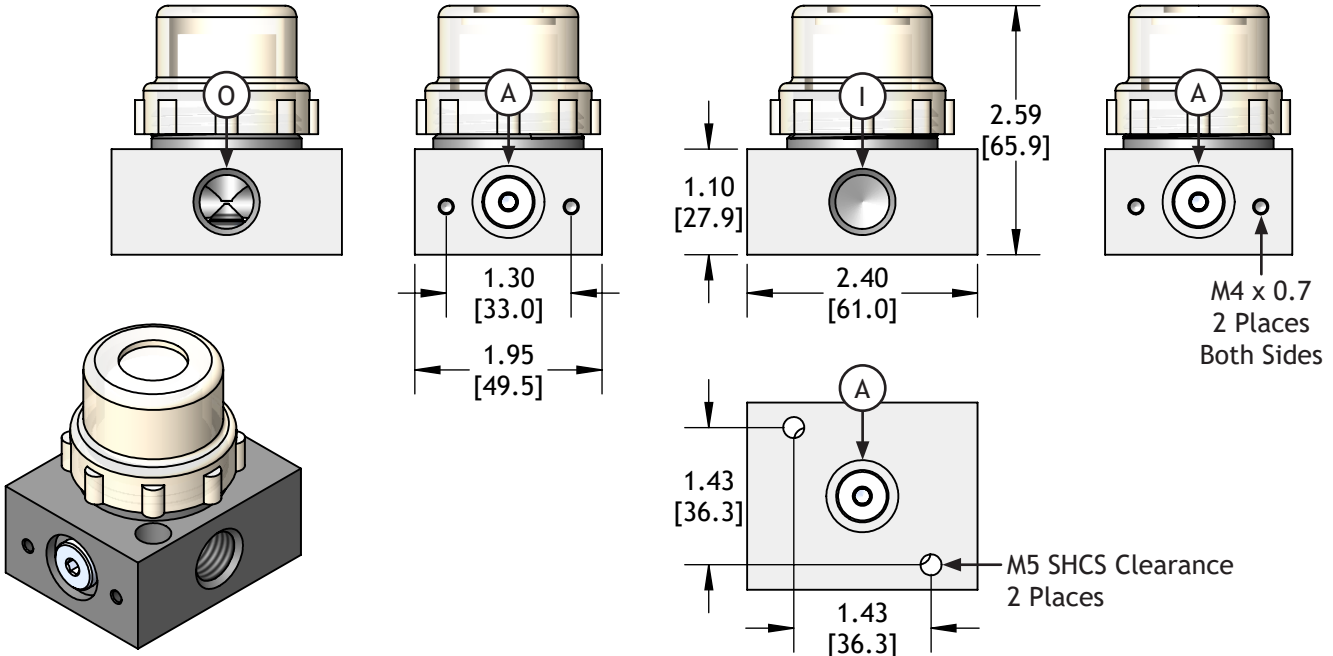
¹These sizes are available in polypropylene. Add suffix -PP for polypropylene body and bowl. Bowl will be opaque, NOT transparent.

ALUMINUM BASE FILTERS

EDCO aluminum base filters work in the same way as our t-style filters. An aluminum base allows for easy mounting of the filter. A clear, nylon bowl allows for quick inspection of the HDPE filter element. When it's time to change the element, the bowl can easily be removed to replace the filter very quickly. We stock standard replacement bowls, gaskets, and filter elements. Optional mounting plates are offered for applications where mounting via the bottom face is not desired.

ASF375X10

Replacement Filter Elements: PPX10RE3

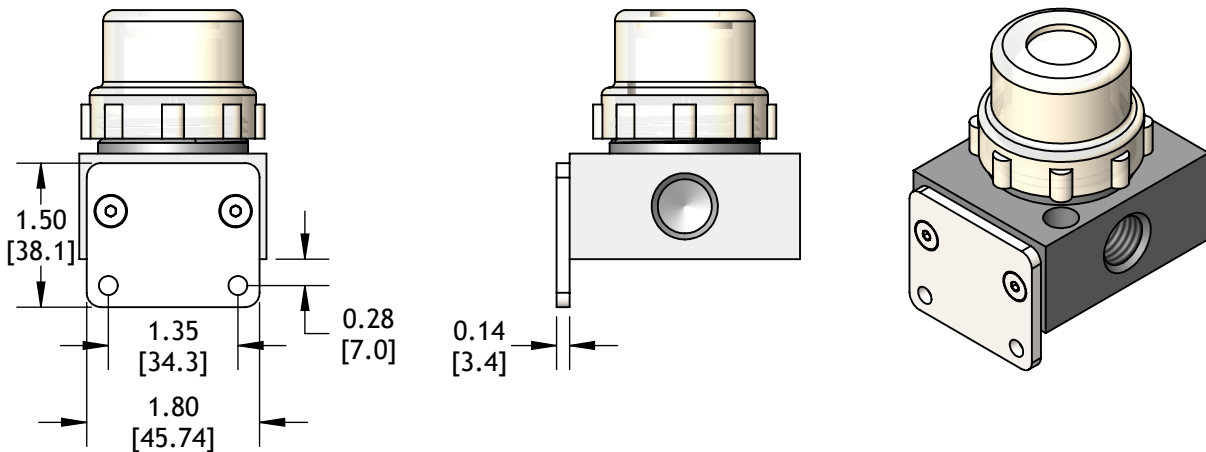


Weight: 8.22 oz [233.0 g]

Code	Function	Ports
I	Flow In	3/8 NPTF
O	Flow Out	3/8 NPTF
A	Auxiliary / Monitor	G 1/8 NPSF

ASF-X10-K

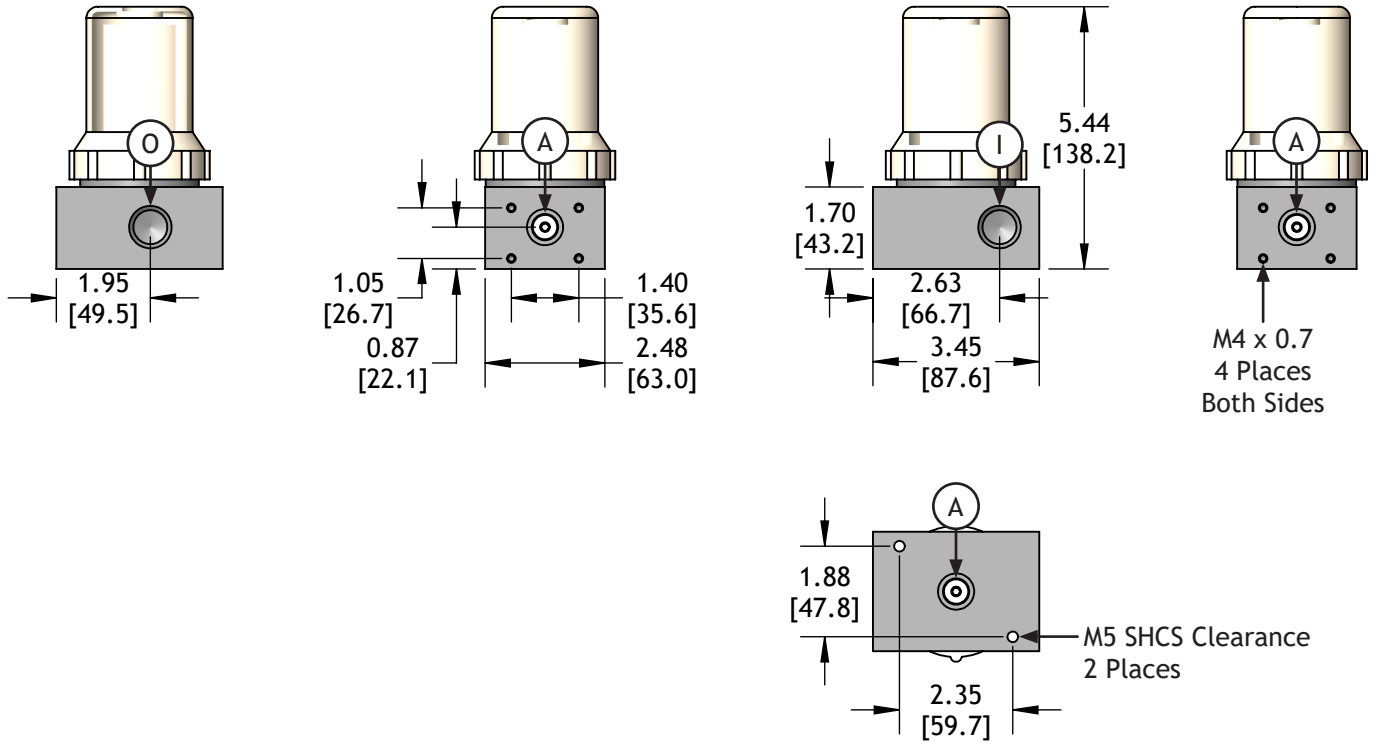
Optional mounting kit includes a steel bracket and two flat head cap screws.
Additional Weight: 1.64 oz [46.4 g]



ALUMINUM BASE FILTERS

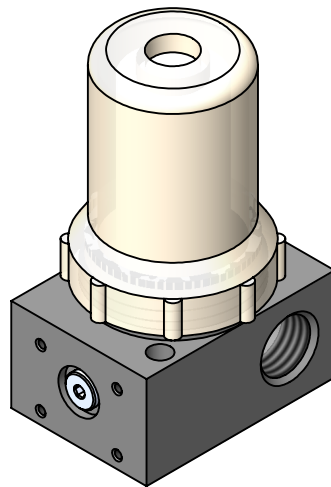
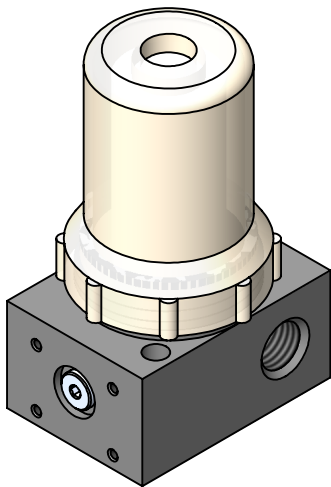
Replacement Filter Elements: PPX35RE3

Size		Threads	
ASF	500 X35	(Blank)	NPT Threads
500	1/2" Ports	-G	G Threads
750	3/4" Ports		



ASF500X35

ASF750X35



Weight: 25.70 oz [728.6 g]

Weight: 24.38 oz [691.1 g]

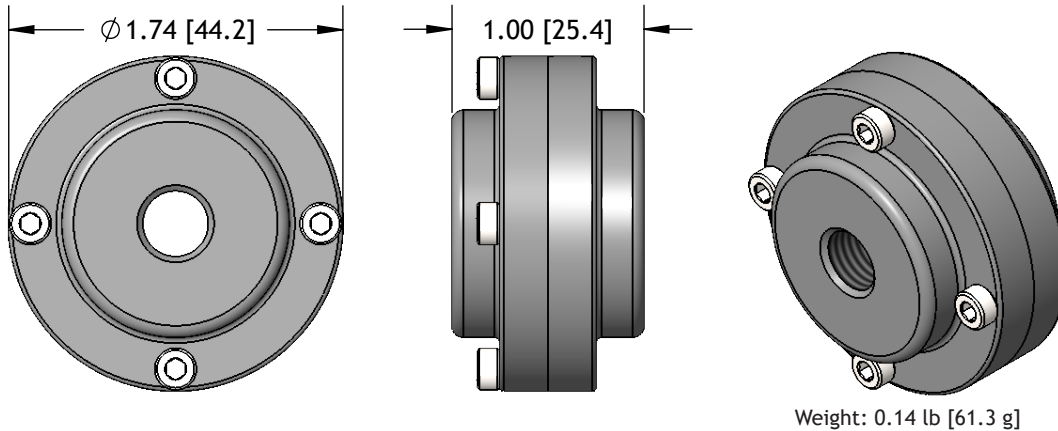
Code	Function	ASF500X35	ASF500X35-G	ASF75X35	ASF75X35-G
I	Flow In	1/2 NPTF	G 1/2	3/4 NPTF	G 3/4
O	Flow Out	1/2 NPTF	G 1/2	3/4 NPTF	G 3/4
A	Auxiliary / Monitor	G 1/8 NPSF			

F10-18F - IN-LINE FILTER

The rugged F10-18F in-line filter is designed to carry the full load of 50 mm and smaller vacuum cups. The in-line filter is ideal for use with Flow Sensor or Tri-Flow Valves in extremely dusty environments such as woodworking shops. The F10-18F provides more than 10 times the surface area of a standard FSV filter disk, providing a longer life. A quick-release (blow-off) may be used to momentarily back-flow the filters to help keep them clean.

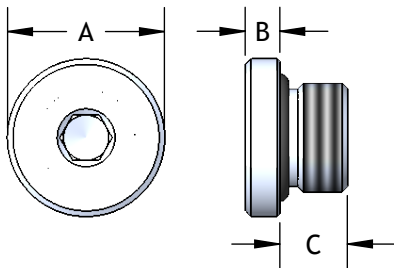
Construction: anodized aluminum body, polyethylene element, and stainless steel fasteners

Replacement Filter Disk: FD-116



PIPE PLUGS

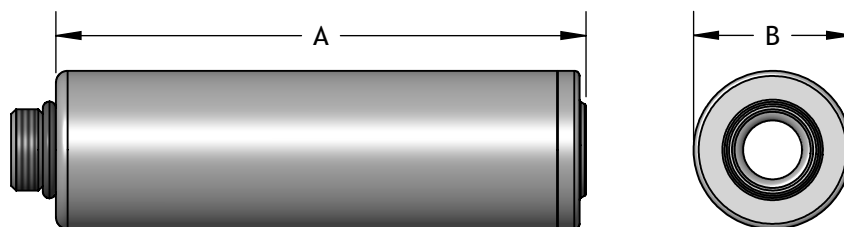
All pipe plugs are nickel plated aluminum with a Nitrile o-ring seal.



Part Number	Fits Threads	A in [mm]	B in [mm]	C in [mm]	Hex Wrench	Weight oz [g]
P10	M5X0.8 10-32 UNF	0.31 [7.9]	0.07 [1.8]	0.12 [3.0]	2 mm	0.01 [0.3]
P18	1/8-27 NPSF G 1/8-28	0.47 [12.0]	0.12 [3.0]	0.24 [6.0]	4 mm	0.07 [2.0]
P14	1/4-18 NPT G 1/4-19	0.56 [14.0]	0.08 [2.0]	0.26 [6.6]	6 mm	0.10 [2.9]
P38	3/8-18 NPSF G 3/8-19	0.71 [18.0]	0.12 [3.0]	0.27 [6.9]	5 mm	0.18 [5.2]
P12	1/2-14 NPSF G 1/2-14	0.95 [24.0]	0.12 [3.0]	0.43 [11.0]	10 mm	0.98 [28.0]

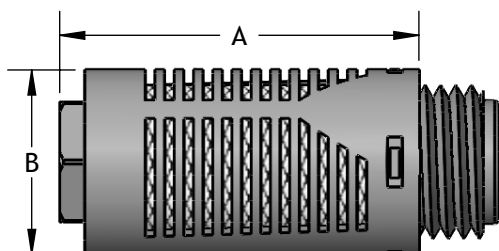
SILENCERS

STRAIGHT THRU SILENCERS



Part Number	Threads	A in [mm]	B in [mm]	Weight oz [g]
STA18M	G 1/8 NPS	2.65 [67.3]	0.74 [18.8]	0.56 [15.8]
STA14M	G 1/4 NPT	2.65 [67.3]	0.74 [18.8]	0.56 [15.8]
STB38M	G 3/8 NPT	4.14 [105.2]	1.24 [31.5]	2.11 [59.9]
STB12M	G 1/2 NPS	4.14 [105.2]	1.24 [31.5]	2.11 [59.9]
STC12M	G 1/2 NPS	4.12 [104.6]	1.48 [37.6]	1.18 [33.6]
STC34M	G 3/4 NPT	4.12 [104.6]	1.48 [37.6]	1.18 [33.6]
STC10M	G 1 NPT	4.12 [104.6]	1.48 [37.6]	1.35 [38.3]
STC12M-6	G 1/2 NPS	6.00 [152.4]	1.48 [37.6]	1.65 [46.8]
STC34M-6	G 3/4 NPT	6.00 [152.4]	1.48 [37.6]	1.65 [46.8]
STC10M-6	G 1 NPT	6.00 [152.4]	1.48 [37.6]	1.82 [51.5]

SIDE DISCHARGE SILENCERS, AA-STYLE



Part Number	Threads	A in [mm]	B in [mm]	Weight oz [g]
AA18M	1/8 NPT	1.18 [30.1]	0.60 [15.2]	0.11 [3.1]
AA14M	1/4 NPT	1.18 [30.1]	0.60 [15.2]	0.11 [3.1]
AA38M	3/8 NPT	1.87 [47.5]	0.96 [24.3]	0.39 [11.1]
AA12M	1/2 NPT	1.87 [47.5]	0.96 [24.3]	0.46 [13.0]