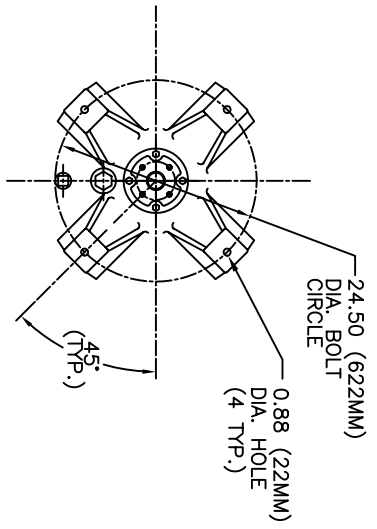


NO.	PART NAME	MATERIAL
1	BODY	DUCTILE IRON SA 395
2	COVER	DUCTILE IRON SA 395
3	ELEMENT	STAINLESS STEEL
4	BACKWASH ARM	DUCTILE IRON
5	GASKET	BUNA-N
6	VENT VALVE 1/4" BSPT	STAINLESS STEEL
7	COTTER PIN	302 STAINLESS STEEL
8	DRIVE PIN	304 STAINLESS STEEL
9	ELASTIC STOP NUT	316 STAINLESS STEEL
10	GEAR REDUCER	CAST IRON
11	MOTOR - 1/4 HP	UNIT SUPPLIED W/O MOTOR
12	QUAD SEAL	BUNA
13	BACKWASH SHAFT	316 STAINLESS STEEL
14	O-RING	BUNA-N
15	STUD	STEEL SA 193 GR B7
16	HEX NUT	STEEL SA 194 GR 2H
17	PILOT BUSHING HOUSING	DUCTILE IRON SA 395
18	O-RING	BUNA-N
19	PILOT BUSHING	DELRI-N
20	BACKWASH ARM GUIDE	DUCTILE IRON
21	WASHER	STEEL

**NOTES:**

1. ALL FLANGE CONNECTIONS CONFORM TO BS4504 PN16.
2. FOR REPLACEMENT PARTS, MODEL NO., SIZE, AND SERIAL NO., FROM THE STRAINER NAMEPLATE MUST BE FURNISHED.
3. MAX. WORKING PRESSURE: 150 PSI @ 150° F (10.3 BAR @ 65.5° C)
4. WEIGHT: DRY-1840 LBS. (836 KGS.)  
WET-2615 LBS. (1188 KGS.)  
COVER WEIGHT: 705 (320 KGS.)
5. PART NO.: 25961000709
6. EXTERNAL COATING: ENG'G SPEC. ES-301

**SECTION "A-A"**



**VIEW "B-B"**  
MOUNTING ARRANGEMENT

CERTIFIED FOR:  
P.O. NO.:  
S.O. NO.:  
NO. OF UNITS:  
TAG NOS.:

STRAINING ELEMENT:

ELECTRONIC FILE NAME: SD259630.DWG  
REF. ECR D507  
DATE 11/1/05

UNAUTHORIZED USE, MANUFACTURE OR REPRODUCTION IN WHOLE OR IN PART IS PROHIBITED. DRAWING, DESIGN AND OTHER DISCLOSURES PROPERTY OF EATON FILTRATION, LLC

		<b>EATON FILTRATION, LLC</b> 900 FAIRMOUNT AVENUE, ELIZABETH, NEW JERSEY 07207	
		NAME <b>SIZE 250 MM (10") MODEL 2596          SELF-CLEANING STRAINER - DUCTILE IRON          BS4504 PN16 FF FLANGES</b>	DATE 5/23/97
DRAWN VAA	DATE 5/23/97	DATE 5/23/97	REV C
SIZE A	DWG NO	SD259630	