

POLYLINE™ Single Bag Filter Housing



Choice of PPL or PVDF construction for ultra-pure or corrosive applications

Eaton's POLYLINE single bag filter housing is an all-plastic, rugged polypropylene or PVDF construction for superior corrosion resistance.

The glass fiber reinforced polypropylene withstands high-pressure and temperature combinations.

This single bag filter housing has no metal components to rust, corrode or contaminate the process media and is ideal for contamination sensitive or severely corrosive applications. Units come standard with filter bag size 01 or 02 polypropylene or size 02 PVDF restrainer baskets.

Features

- All plastic construction with smooth interior surfaces makes it easy to clean
- Compression hold down creates 360 degree sealing between the filter bag and the bag filter housing

- Removable, "no tools required" spin-off cover for quick filter bag change-outs. Just a few turns of the cover using the built-in handle and the housing opens and closes with little effort
- Standard design available with threaded or flanged connections
- Vent/bleed valve installed on the housing cover and an integral mounting flange for rock-solid installation without the need for support legs
- Dual outlets allow either in-line or loop piping connections with other outlet used as a drain

Options

- Available in glass fiber reinforced polypropylene or PVDF
- Viton® seals and gaskets for the cover and restrainer basket are standard. EPDM seals and gaskets are available
- Multiple I/O connections to suit application
- Round bottom restrainer basket size 01 or 02 available in polypropylene

Viton® is a registered trademark of E. I. du Pont de Nemours and company.

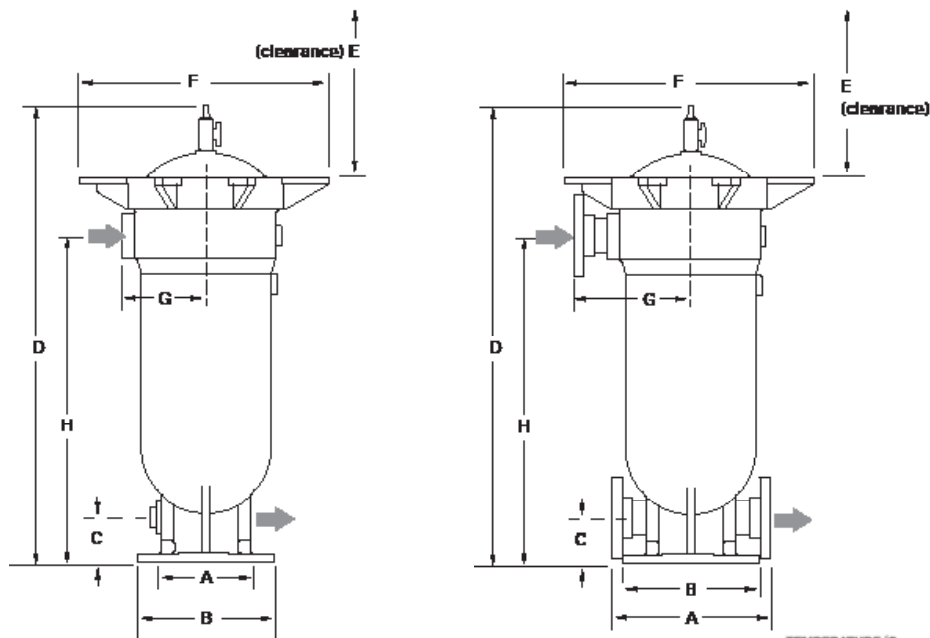
POLYLINE Single Bag Filter Housing

Applications

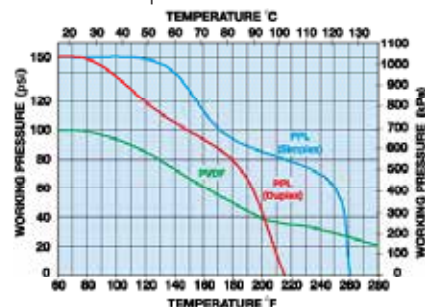
- Coarse filtration > 500 µm ✓
- Medium filtration > 10 µm ✓
- Fine filtration < 10 µm

- Pre-filtration ✓
- Safety filtration
- High volume
- Batch filtration ✓
- Circuit filtration ✓
- Continuous filtration

- Solvents, paints
- Fats and oils
- Catalyst, activated carbon
- Acids, bases ✓
- Petrochemicals
- Water, waste water ✓
- Chemical industry ✓
- Pharmaceuticals
- Metal cleaning
- Automotive
- Electronics ✓
- Food and beverage
- Paint and lacquer
- Water treatment ✓
- Galvanic industry ✓



Operating temperature/
pressure for POLYLINE
single bag filter housings



Dimensions - inch (mm)

Models	A	B	C	D	E	F	G	H
PBF-0101 (thread)	6.50 (165)	10.00 (254)	3.25 (83)	34.12 (867)	20.00 (508)	18.38 (467)	6.13 (156)	23.88 (607)
PBF-0102 (thread)	6.50 (165)	10.00 (254)	3.25 (83)	50.12 (1273)	36.00 (914)	18.38 (467)	6.13 (156)	39.88 (1013)
PBF-0101 (flange)	5.69 (145)	10.00 (254)	3.25 (83)	34.12 (867)	20.00 (508)	18.38 (467)	8.63 (219)	23.88 (607)
PBF-0102 (flange)	5.69 (145)	10.00 (254)	3.25 (83)	50.12 (1273)	36.00 (914)	18.38 (467)	8.63 (219)	39.88 (1013)

Dimensions for reference only and approximate. Exact dimensions for installation purposes available on request.

Technical data

Models	No. of filter bags	Size	Flow rate ¹ GPM (m ³ /h)	Max. pressure psi (bar)	Max. temp. °F (°C)	Housing volume gal (l)	Housing weight lb (kg)	I/O connections
PBF-0101 (thread)	1	1	53 (12)	150 @ 70 °F (10 @ 21 °C)	240 @ 70 psi (115 @ 4.8 bar)	9.5 (36)	49 (22.3)	2" thread
PBF-0102 (thread)	1	2	106 (24)	150 @ 70 °F (10 @ 21 °C)	240 @ 70 psi (115 @ 4.8 bar)	9.5 (36)	63 (28.6)	2" thread
PBF-0101 (flange)	1	1	53 (12)	150 @ 70 °F (10 @ 21 °C)	240 @ 70 psi (115 @ 4.8 bar)	6.6 (25)	53 (24.0)	2" flange
PBF-0102 (flange)	1	2	106 (24)	150 @ 70 °F (10 @ 21 °C)	240 @ 70 psi (115 @ 4.8 bar)	9.5 (36)	66 (30.0)	2" flange

¹ Maximum theoretical flow based on water viscosity, filter bag specific.

North America
44 Apple Street
Tinton Falls, NJ 07724
Toll Free: 800 656-3344
(North America only)
Tel: +1 732 212-4700

China
No. 3, Lane 280,
Linhong Road
Changning District, 200335
Shanghai, P.R. China
Tel: +86 21 5200-0099

Europe/Africa/Middle East
Auf der Heide 2
53947 Nettersheim, Germany
Tel: +49 2486 809-0

Singapore
4 Loyang Lane #04-01/02
Singapore 508914
Tel: +65 6825-1668

Friedensstraße 41
68804 Altludersheim, Germany
Tel: +49 6205 2094-0
An den Nahewiesen 24
55450 Langenlonsheim, Germany
Tel: +49 6704 204-0

Brazil
Rua Clark, 2061 - Macuco
13279-400 - Valinhos, Brazil
Tel: +55 11 3616-8400

For more information, please
email us at filtration@eaton.com
or visit www.eaton.com/filtration

© 2017 Eaton. All rights reserved. All trademarks and registered trademarks are the property of their respective owners. All information and recommendations appearing in this brochure concerning the use of products described herein are based on tests believed to be reliable. However, it is the user's responsibility to determine the suitability for his own use of such products. Since the actual use by others is beyond our control, no guarantee, expressed or implied, is made by Eaton as to the effects of such use or the results to be obtained. Eaton assumes no liability arising out of the use by others of such products. Nor is the information herein to be construed as absolutely complete, since additional information may be necessary or desirable when particular or exceptional conditions or circumstances exist or because of applicable laws or government regulations.

US
EF-FBH-15
03-2017