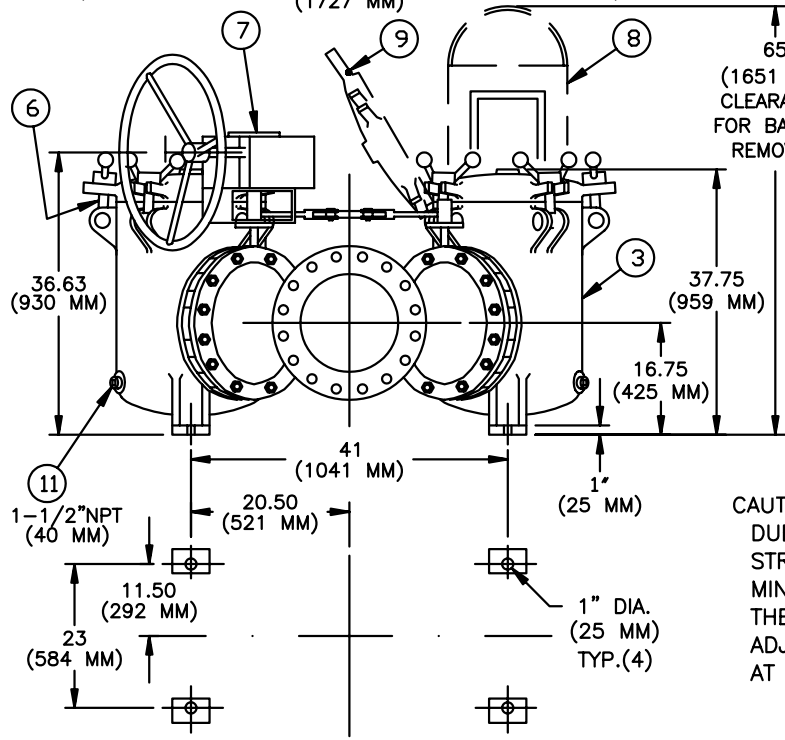


NO.	DESCRIPTION	MATERIAL
1	FLANGED Y	DUCTILE IRON A395
2	BUTTERFLY VALVE	IRON / BUNA-N SEAL
3	BODY	DUCTILE IRON A395
4	LINKAGE	STEEL
5	COVER	DUCTILE IRON A395
6	SWING BOLTS	CARBON STEEL
7	GEAR OPERATOR	IRON
8	BASKET	
	PERF. DIA.	
	MESH SIZE	
9	O-RING	BUNA-N
10	BOLT/NUT	CARBON STEEL
11	PIPE PLUG (DRAIN)	IRON
12	PIPE PLUG (VENT)	IRON
13	PIPE PLUG (GAGE)	IRON

NOTES:

1. INLET/OUTLET FLANGE PER ANSI B16.42 CLASS 150 FF FLANGE.
2. MAX. WORKING PRESS.: 200 PSI @100° F. (13.8 BAR @ 37.8° C)
3. DIMENSIONS ARE IN INCHES / (MM).
4. WEIGHT: 2650 LBS. (1202 KG.)



CUSTOMER:  
P.O. NO.:  
REG. NO.:  
QUOTE NO.:  
TAG NO.:

CAUTION:

DUE TO THE TYPE OF CONSTRUCTION OF THIS STRAINER, ALL DIMENSIONS MAY VARY PLUS OR MINUS 1.50% OF THE CHARTED FIGURES. THE CUSTOMER IS ADVISED NOT TO FABRICATE ADJOINING PIPING UNTIL RECEIPT OF THE UNIT AT THE JOB SITE.

PLAN VIEW (MOUNTING)

PART NO.: ST052120BF60C

		<b>EATON FILTRATION, LLC</b> 70 WOOD AVENUE SOUTH, ISELIN, NEW JERSEY 08830					
		NAME MODEL 52 DUPLEX STRAINER 150# FLAT FACE FLANGE SIZE 12" DUCTILE IRON					
DRAWN	FM	DATE	5/2/08	CERT.	LH	DATE	5/2/08
SIZE	DWG NO	SD052118				REV	B
A							

ELECTRONIC FILE NAME: SD052118.DWG  
REF. ECR 0058909 DATE 07/14/11

UNAUTHORIZED USE, MANUFACTURE OR REPRODUCTION IN WHOLE OR IN PART IS PROHIBITED. DRAWING, DESIGN AND OTHER DISCLOSURES PROPERTY OF EATON FILTRATION, LLC