



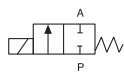
2/2-way Solenoid Valve for low and high temperatures

- Medium separation
- Metal bellow system in stainless steel
- High quality PTFE seat seal
- Medium temperature -200 °C ... +180 °C
- Energy saving "Kick and Drop" electronic

The direct-acting valve Type 2610 is delivered with circuit function normally closed. The thermal isolation of the coil and housing by means of stainless steel bellows allows the extreme medium temperature. In this way condensation or an unacceptable heating up of the coil is avoided. The supplied cable head contains a "kick and drop" electronic that supports the opening phase and afterwards reduction of the opening holding power.

Circuit function A

Servo-assisted 2/2-way valve, direct acting, normally closed.



Technical data	
Body material	Brass with stainless steel seat 1.4581 Stainless steel body and stainless steel seat 1.4581
Metal bellows	Stainless steel 1.4541
Seal material	PTFE
Medium	Neutral gases and liquids
Medium temperature	-200 to +180 °C
Ambient temperature	Max. +50 °C
Viscosity	Approx 21 mm ² /s
Operating voltages	24/110 VUC 220-230 VUC
Voltage tolerance	Max. ±10%
Cycling rate	10/min
Power consumption	Kick and Drop electronic 72/4 W
Duty cycle	Continuous operation 100% ED
Electrical connection	Cable plug for Ø 7 mm cable (included in delivery)
Protection class	IP65 with cable plug
Installation position	As required, preferably with actuator upright
Weight	1.1 kg

Other technical data

Orifice [mm]	Kv value water [m ³ /h]	Port connection	Pressure range [bar]	Power consumption		Response times	
				Inrush [W]	Operation [W]	Opening [ms]	Closing [ms]
6.0	0.8	G 1/4, NPT 1/4	0-10	72	4	100 to 200	300 to 500
8.0	0.9	G 1/2, NPT 1/2	0-10				
12.0	1.8	G 1/2, NPT 1/2	0-3.5				

Flowrate: Kv value water [m³/h]

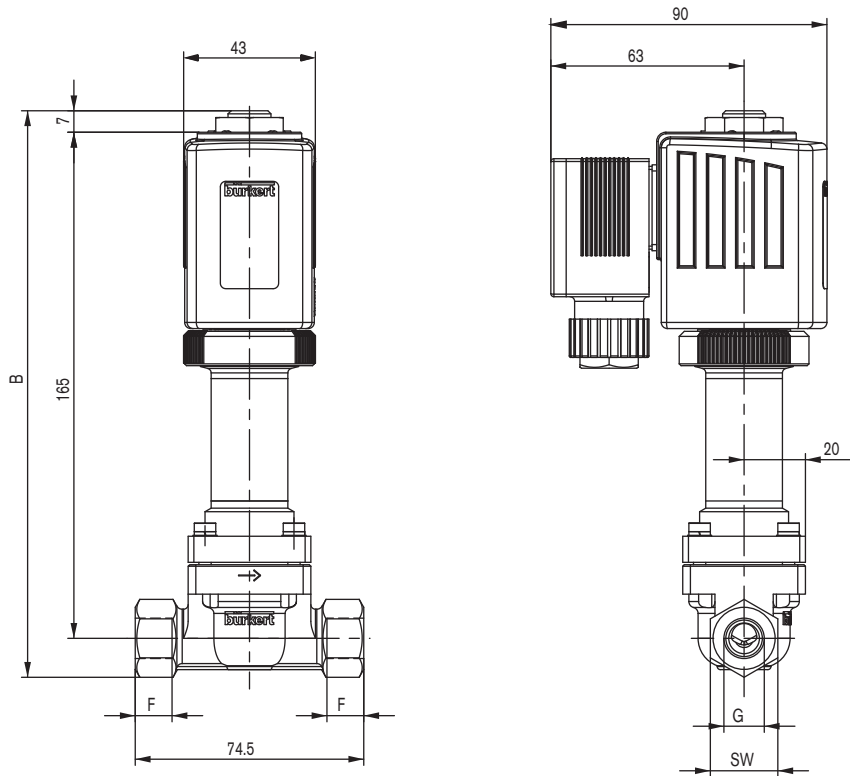
Measured at +20°C, 1 bar pressure at valve inlet and free outlet

Pressure values [bar]

Overpressure with respect to atmospheric pressure

Response times [ms] Measured at valve outlet at 6 bar and +20 °C**Opening** Pressure rise 0 to 90%,
Closing Pressure drop 100 to 10%

Dimensions [mm]



Body with threaded port, G 1/2

Body with threaded port, G 1/4

¹⁾ For G-Thread the dimensions F1 and G1 apply for NPT-Thread the dimensions F2 and G2 apply

DN	B	F1 ¹⁾	G1 ¹⁾	F2 ¹⁾	G2 ¹⁾	SW
6	184	12	G 1/4	10.0	NPT 1/4	24
8	187	14	G 1/2	13.5	NPT 1/2	27
12	187	14	G 1/2	13.5	NPT 1/2	27

Ordering chart (other versions on request)

All valves with PTFE seal and stainless steel body

Circuit function	Orifice [mm]	Port connection	Kvs value [m ³ /h]	Pressure range [bar]	Voltage / frequency	Item no.
A	6.0	G 1/4	0.8	0-10	024 UC	167 737
A	6.0	NPT 1/4	0.8	0-10	024 UC	167 758
A	6.0	G 1/4	0.8	0-10	110 UC	167 738
A	6.0	NPT 1/4	0.8	0-10	110 UC	▪
A	6.0	G 1/4	0.8	0-10	230 UC	167 739
A	6.0	NPT 1/4	0.8	0-10	230 UC	▪
A	8.0	G 1/2	0.9	0-10	024 UC	167 740
A	8.0	NPT 1/2	0.9	0-10	024 UC	167 761
A	8.0	G 1/2	0.9	0-10	110 UC	167 741
A	8.0	NPT 1/2	0.9	0-10	110 UC	▪
A	8.0	G 1/2	0.9	0-10	230 UC	167 742
A	8.0	NPT 1/2	0.9	0-10	230 UC	▪
A	12.0	G 1/2	1.8	0-3.5	024 UC	167 743
A	12.0	NPT 1/2	1.8	0-3.5	024 UC	167 764
A	12.0	G 1/2	1.8	0-3.5	110 UC	167 744
A	12.0	NPT 1/2	1.8	0-3.5	110 UC	▪
A	12.0	G 1/2	1.8	0-3.5	230 UC	167 745
A	12.0	NPT 1/2	1.8	0-3.5	230 UC	▪

▪ on request

Accessories

Description	Item no.
Mounting bracket with 2 stainless steel screws	260 250

To find your nearest Bürkert facility, click on the orange box

www.burkert.comIn case of special application conditions,
please consult for advice.Subject to alteration.
© Christian Bürkert GmbH & Co. KG

1401/1_EU-en_00895253