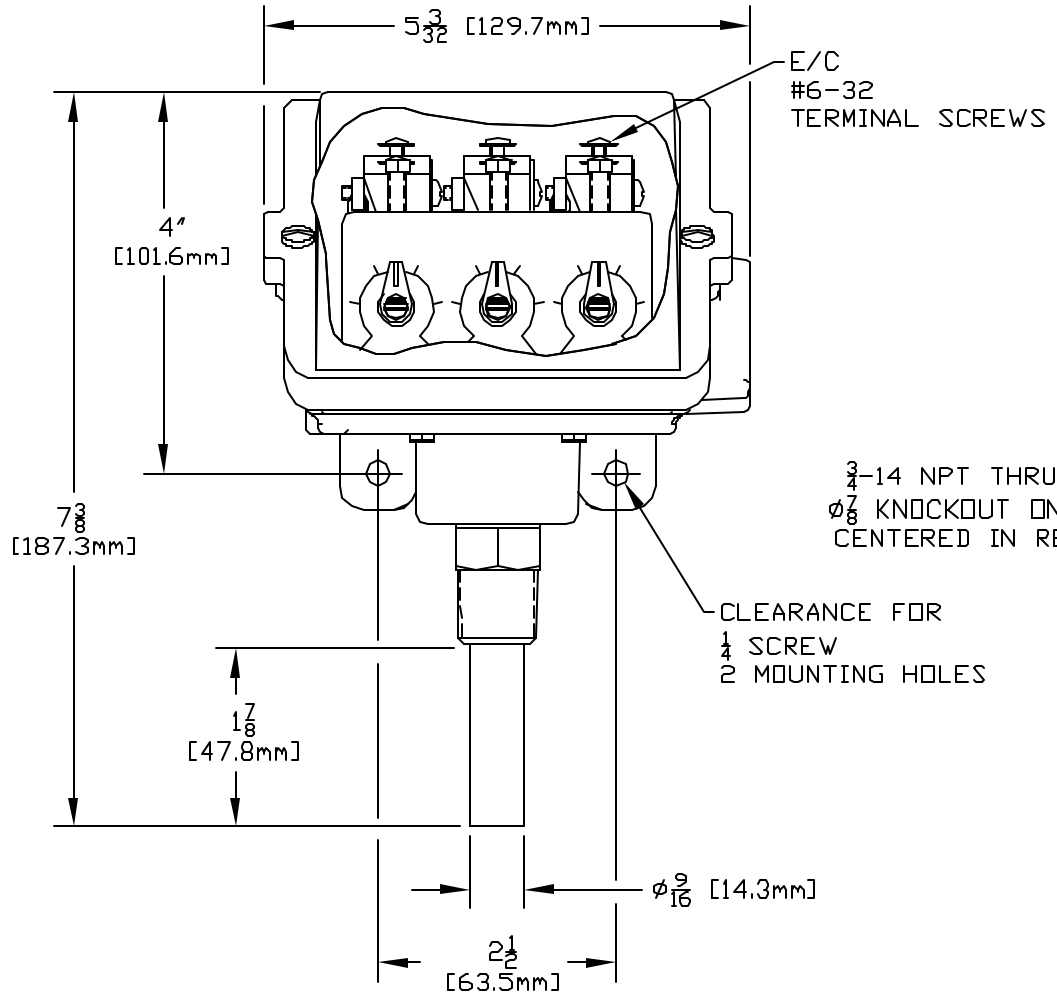
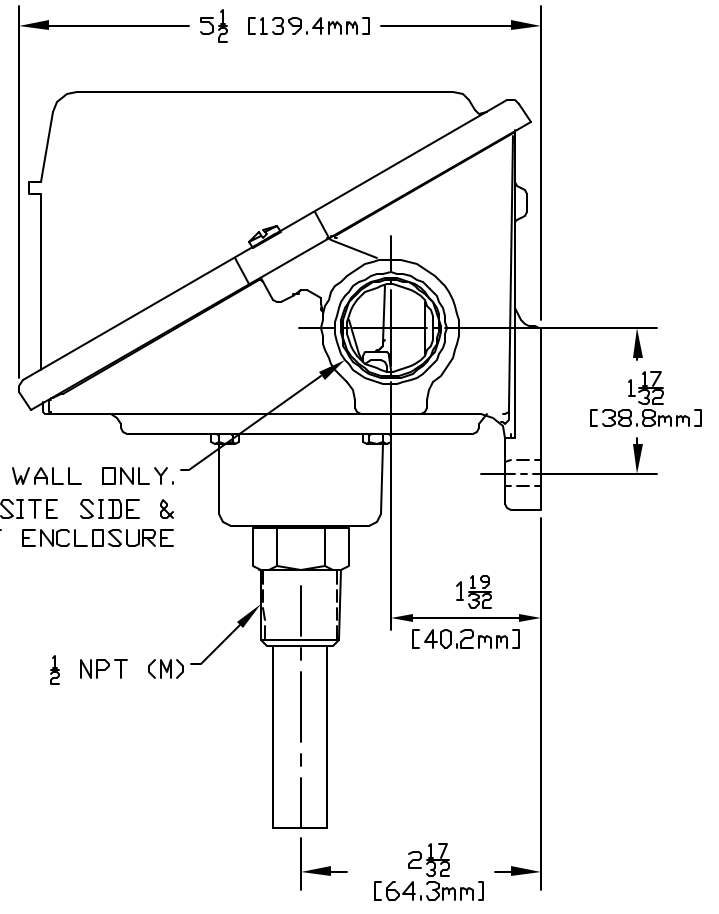


UL RECOGNIZED COMPONENT,  
 CSA CERTIFIED, NEMA 4.  
 I & M SHEET IMT400.  
 FM APPROVED.



3/4"-14 NPT THRU NEAR WALL ONLY.  
 φ 7/8" KNOCKOUT ON OPPOSITE SIDE &  
 CENTERED IN REAR OF ENCLOSURE



121	200 TO 425	95 TO 215
120	0 TO 225	-15 TO 105
MODEL NO.	°F	°C
	ADJUSTABLE RANGE	

V	REDRAWN, UPDATED ENCLOSURE. ECN#E0821	6-28-04	S.R.	HN
SYM	DESCRIPTION	DATE	DWN	APPD
REVISIONS				

ORIGINAL DATE	11-7-86
DRWN	A. EBALO
CHKD	N MacKAY Jr.
APPD	A. MINASSIAN
UNLESS OTHERWISE SPECIFIED DIMENSIONS ARE IN INCHES	
DO NOT SCALE THIS DRAWING	

TITLE	B403 120 & 121
SCALE	1:2

DF001D

UNITED ELECTRIC  
 CONTROLS COMPANY  
 WATERTOWN \* MASSACHUSETTS

DWG NO  
 A-12366