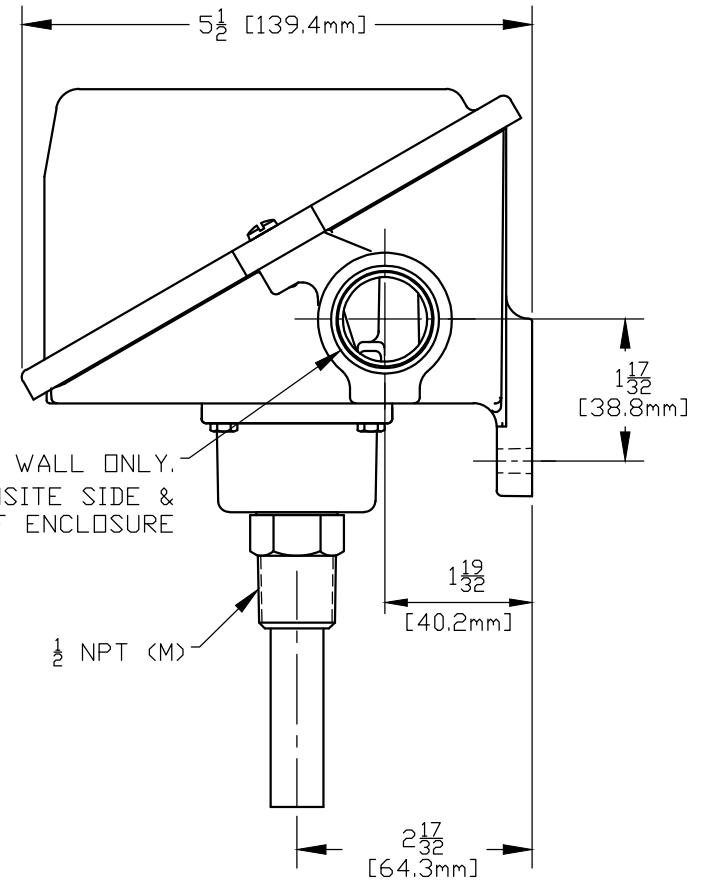
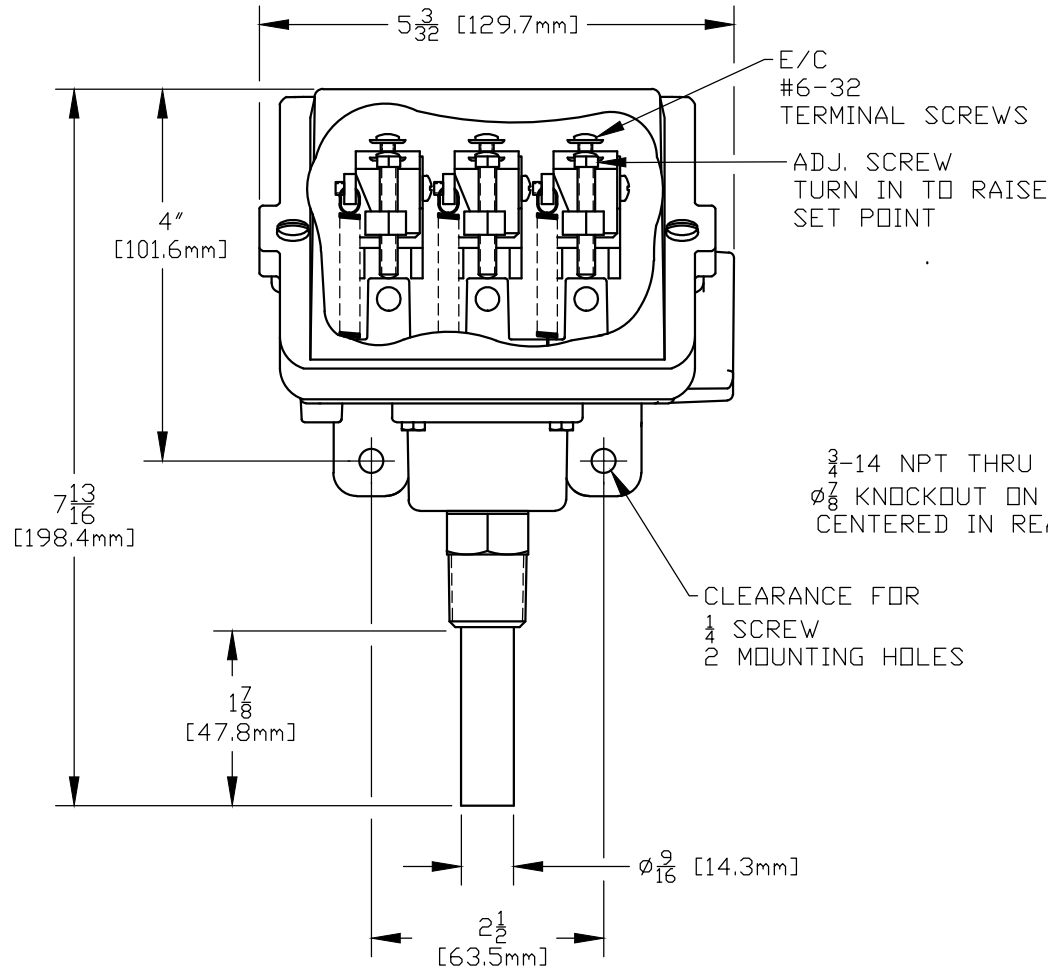


UL RECOGNIZED COMPONENT,
 CSA CERTIFIED, NEMA 4.
 I & M SHEET IMT400.
 FM APPROVED.




121	200 TO 425	95 TO 215
120	0 TO 225	-15 TO 105
MODEL NO.	°F	°C
	ADJUSTABLE RANGE	

SYM	DESCRIPTION	DATE	DWN	APPD
W	REVISED DIM: 7-13/16 [198.4mm] WAS 7-3/8 [187.3mm]	1-5-17	SR	RAM
V	UPDATED ENCLOSURE AND COVER. ECN#E3920.	3-18-11	RCI	RAM
U	REDRAWN. UPDATED ENCLOSURE. ECN#E0821	6-28-04	S.R.	HN
REVISIONS				

ORIGINAL DATE	11-7-86
DRWN	A. EBALD
CHKD	N MacKAY Jr.
APPD	A. MINASSIAN
UNLESS OTHERWISE SPECIFIED DIMENSIONS ARE IN INCHES	
DO NOT SCALE THIS DRAWING	

TITLE	C403 120 & 121
SCALE	1:2

DF001D



UNITED ELECTRIC
 CONTROLS COMPANY
 WATERTOWN * MASSACHUSETTS

DWG NO
 A-12330