

Hinged Steel Poles

NEC/CEC:
Rated for Ordinary (Unclassified) Locations

Applications

- To mount single or multiple luminaires to heights from 6.1 to 9.1 m (20 to 35 ft). Hinged design allows easy servicing of luminaires at shoulder height.

Features

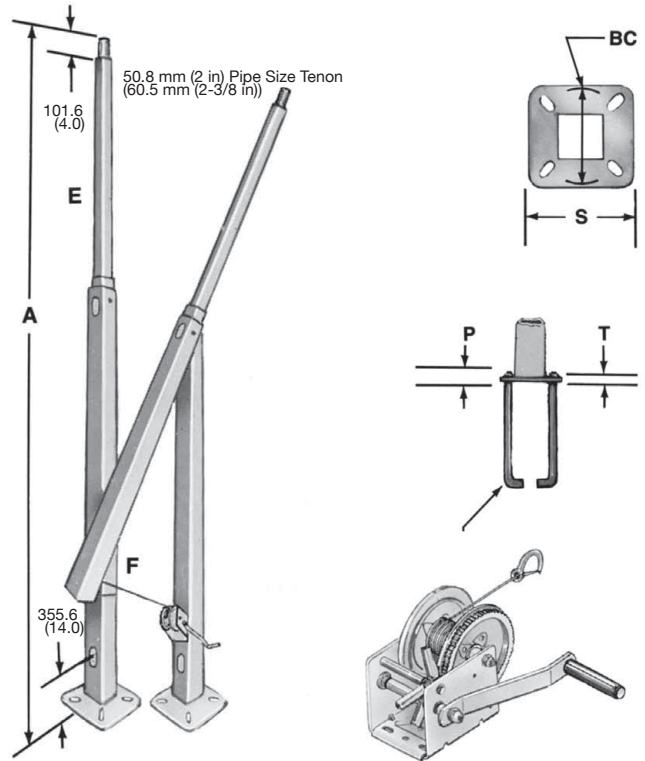
- Shafts are structural steel with a minimum yield strength of 46,000 psi.
- Heavy duty hinge assembly secures upper section to lower section with high strength 19.05 mm (3/4 in) Dia. bolt. A flexible protective channel is provided to protect wires when pole is lowered.
- Pole counter-balance is designed to offset weight of luminaires and is made from steel with minimum yield strength of 36,000 psi.
- Base plates are of structural quality hot-rolled steel with minimum yield strength of 36,000 psi.
- A 76.2 x 127 mm (3 in x 5 in) reinforced handhole with cover and grounding lug 355.6 mm (14 in) above the pole base is standard.
- Anchor bolts are furnished complete with nuts and washers, and are of 50,000 psi steel.

Standard Materials/Finishes

- Lighting poles are steel with bronze powder coat finish (to match Appleton fixtures) or galvanized finish

Options

- An optional lowering winch is available and recommended for easy one-man operation of hinged poles. (Only one lowering winch per installation is required because winch assembly mounts from pole to pole and dismounts for easy storage.) Lowering winch is furnished with mounting hardware, 7.62 m (25 ft) of 4.8 mm (3/16 in) galvanized wire rope and safety snap hook.



Accessory: GLW – Lowering Device (Winch)

GLW must be ordered separately at an additional cost.

Mounting Height m (ft) A	Average Pole Weight kg (lb)	Pole Shaft Size mm (in)		Base Plate mm (in)			Anchorage: Anchor Bolt Dia. X Length mm (in)	Catalog Number		Winch Catalog Number
		Bottom	Top	Base Size (Square)	Bolt Circle	Base Thickness		Bronze	Galvanized	
6.1 (20)	136 (300)	127.0 (5)	127.0 (5)	279.4 (11)	279.4 (11.0)	25.4 (1.0)	25x1016 (1x40)	G-PHSH-20	G-PHSH-20-GAL	GLW20
7.32 (24)	204 (450)	152.4 (6)	152.4 (6)	304.8 (12)	292.1 (11.5)	25.4 (1.0)	25x1016 (1x40)	G-PHSH-24	G-PHSH-24-GAL	GLW24
9.14 (30)	281 (620)	152.4 (6)	152.4 (6)	304.8 (12)	292.1 (11.5)	25.4 (1.0)	25x1016 (1x40)	G-PHSH-30	G-PHSH-30-GAL	GLW30
10.67 (35)	356 (785)	152.4 (6)	152.4 (6)	304.8 (12)	292.1 (11.5)	25.4 (1.0)	25x1016 (1x40)	G-PHSH-35	G-PHSH-35-GAL	GLW35

① Dimensions may vary—Consult your local sales representative for specifications.
② Anchor bolts and templates are preshipped ahead of lighting poles.