

CIT 200

Process Display



Functional range

- ▶ free scalable display
- ▶ 4 characteristic curve functions selectable (linear, root, square function or max. 20 free selectable points)
- ▶ display brightness and filter adjustable
- ▶ programming via infrared remote control IR 1 (optional)

Product characteristics

- ▶ input signal:
0/4 ... 20 mA, 0/1 ... 5 V, 0/2 ... 10 V
- ▶ 4-digit LED display
- ▶ communication interface
RS-485 (Modbus RTU)
- ▶ front panel housing 72 x 36 mm

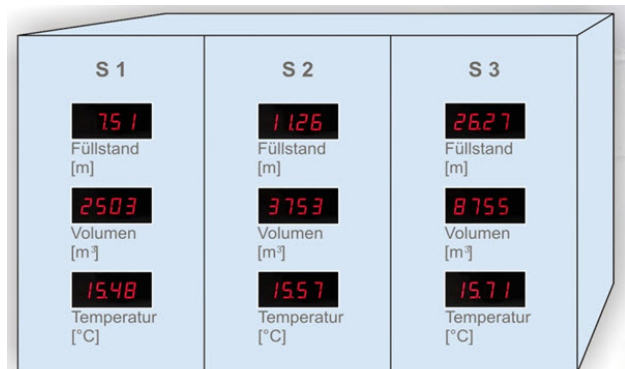
Optional versions

- ▶ input signal
Pt100 / Pt500 / Pt1000

Typical application

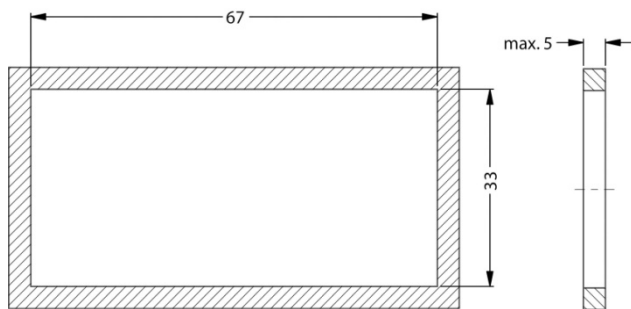


display panel for silo battery

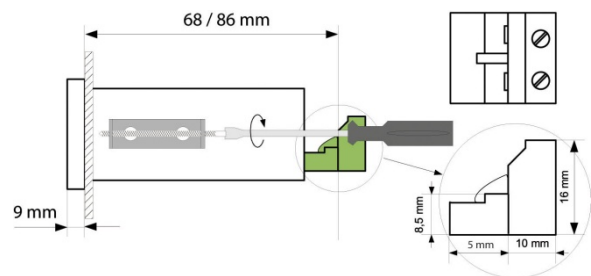


Supply		
Supply voltage	standard: 10 ... 30 V _{DC}	option: 110V _{AC} / 230 V _{AC} ± 10 %
Power consumption	24 V _{DC} version: max. 1 W	110 V _{AC} / 230 V _{AC} version: max. 1.5 VA
Signal input		
Input signal	standard: 0/4 ... 20 mA, 0/1 ... 5 V, 0/2 ... 10 V option: PT100 / PT500 / PT1000	
Communication / Performance		
Communication interface	RS-485 (Modbus RTU)	
Transmission speed	1200 - 115200 bit/sec.	
Type of protection		
Display	IP 40 (front side)	
Permissible temperatures		
Operating temperature	0 ... 50 °C	
Storage temperature	-10 ... 70 °C	
Electrical Protection		
Electrical safety	EN 61010-1	
EMC	EN 61326	
Miscellaneous		
Display	4-digit LED display, red, 4 x 13 mm	
Range of indication	- 999 ... 9999 + decimal point / temperature range: -100 ... 600 °C	
Accuracy (25 °C)	± 0.1 % FSO	tolerance band (0 ... 50 °C): max. 0.25 % FSO
Housing dimensions	24 V _{DC} version: 72 x 36 x 77 mm 110V _{AC} / 230 V _{AC} version: 72 x 36 x 95 mm	
Housing	panel	
Housing material	NORYL UL94V-0	
CE-conformity	EMC Directive: 2014/30/EU	

Dimensions (in mm)



mounting hole dimensions



dimensions of brackets and connectors

Accessories

Infrared Remote Control IR 1		material number IR1-1
------------------------------	-------------------------------------------------------------------------------------	-----------------------

© 2016 BD|SENSORS GmbH – The specifications given in this document represent the state of engineering at the time of publishing. We reserve the right to make modifications to the specifications and materials.

Ordering code CIT 200

CIT 200 - - - -

Input type				
0/4 ... 20 mA, 0/1 ... 5 V, 0/2 ... 10 V	1			
Pt100, Pt500, Pt1000	2			
Supply				
10 ... 30 V _{DC}	1			
230 V _{AC}	2			
110 V _{AC}	3			
Display caption				
neutral		1	0	0
customer		9	9	9
				consult
Special version				
standard			0	0
customer			9	9
				consult
Accessories				
infrared remote control IR 1				IR 1-1

0F.ē .201H

This price list contains product specification; properties are not guaranteed. Detailed information about options are defined in the datasheet. Subject to change without notice.

