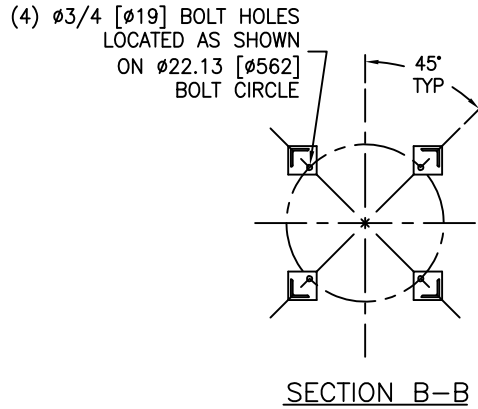
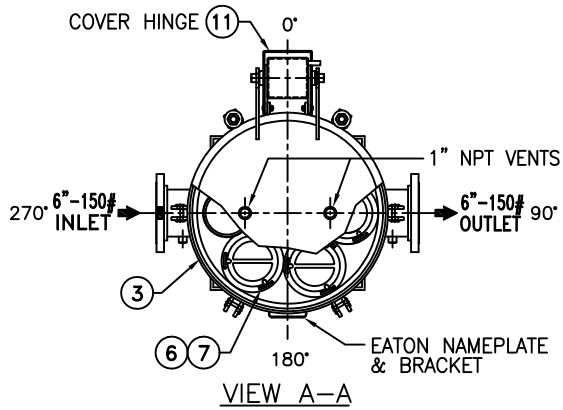
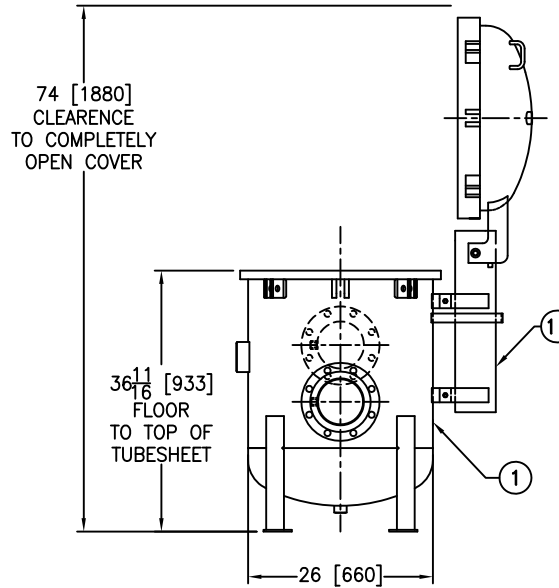
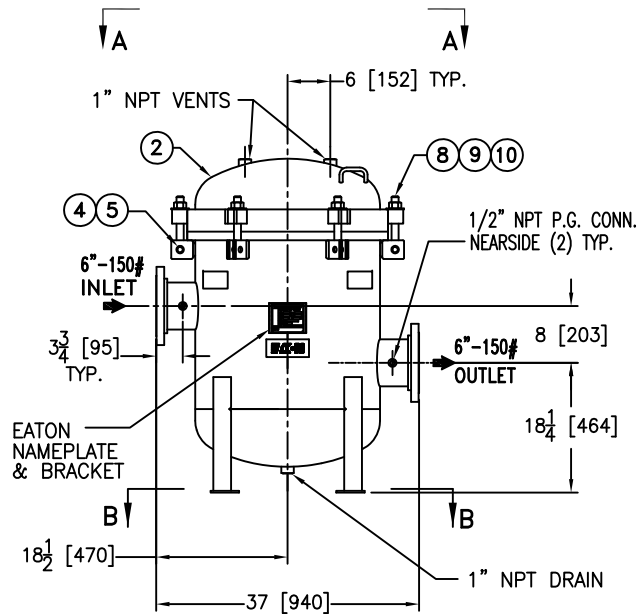


REVISIONS				
REV	DESCRIPTION	BY	ECO	DATE
B	UPDATE DRAWING	FJM	0099932	07/14/14



ITEM	PART NAME	MATERIAL
1	BODY	SA516 GR. 70
2	COVER	SA516 GR. 70
3	O-RING P/N 2375036593	BUNA-N
4	PIN	SA193 B7 ZINC PL
5	SNAP RING	STEEL ZINC PL
6	RESTRAINER BASKET P/N L0001753	316 SS
7	FILTER BAG RETAINER	316 SS
8	EYE BOLT	SA354 BD ZINC PL
9	HEX NUT	SA194 2H ZINC PL
10	WASHER	STEEL ZINC PL
11	SPRING ASSISTED MECHANISM	STAINLESS STEEL



**NOTES:**

- UNITS ARE TO BE DESIGNED, FABRICATED & "U" STAMPED IN ACCORDANCE WITH ASME SECTION VIII, DIV. I, BOILER & PRESSURE VESSEL CODE, IN COMPLIANCE TO LATEST ADDENDA.
- INLET / OUTLET FLANGE CONNECTIONS PER ANSI B16.5.
- DESIGN PRESSURE: 150 PSI (MAWP)  
 DESIGN TEMPERATURE: 250° F  
 MDMT: -20° F @ 150 PSI
- DIMENSIONS SHOWN IN [ ] ARE IN MILLIMETERS AND FOR REFERENCE ONLY. ACCEPTANCE OF THIS PART WILL BE BASED ON "INCH" UNITS & TOLERANCES ONLY.
- ALL BOLT HOLES ARE TO STRADDLE NATURAL CENTERLINES.
- APPROX. WEIGHT (DRY) 810 LB. (367 kgs.)
- APPROX. SHIPPING WEIGHT 935 LB. (424 kgs.)
- PAINT PER EATON STANDARD ES-301.

TOLERANCES (UNLESS OTHERWISE SPECIFIED)	
DECIMAL:	.X ± .030 .XX ± .010 .XXX ± .005
FRACTIONAL:	± 1/16
NOZZLE $\phi$ TO FLOOR:	3/8" < 4" > 1/2"
FACE TO FACE:	1/8" < 4" > 1/4"
ANGULAR:	± 1°
FLANGES (H/V):	± 1/2°
VESSEL OVERALL HT:	1"

BOLT HOLES MUST STRADDLE  $\phi$  MACHINED PARTS TO BE FREE OF BURRS FOR ADDITIONAL TOLERANCE DETAILS REF. ES-211, ES-222 AND ES-223

REVIEWED FOR CLASSIFICATION PER PR-4  
 CRITICAL SIGNIFICANT

CUSTOMER INFO	
NAME	
P.O. NO.	
S.O. NO.	
QUANTITY	
PART NO.	F3AV0600006

DRAWN BY	FJM
SCALE	AS DRAWN
RESTRICTION	RESTRICTED
SHEET	1 OF 1
PROJECTION	THIRD ANGLE

VESSEL CODE: MBF-0602-CS10-060A-US-13HE			
		EATON FILTRATION DESIGN CENTER TINTON FALLS, NEW JERSEY, USA • PORTAGE, MICHIGAN, USA	
TITLE MAXILINE (MBF-0602 HE) FILTER VESSEL 6" 150# RF INLET / OUTLET CARBON STEEL W/BUNA O-RING			
DATE	05/05/11	SIZE	A
DWG FILENAME	SHE0606TC		
REV	B	REV	B

EATON CORPORATION - CONFIDENTIAL AND PROPRIETARY NOTICE TO PERSONS RECEIVING THIS DRAWING AND/OR TECHNICAL INFORMATION THIS DOCUMENT, INCLUDING THE DRAWING AND INFORMATION CONTAINED THEREON IS CONFIDENTIAL AND IS THE EXCLUSIVE PROPERTY OF EATON AT ANY TIME. BY TAKING THE POSSESSION OF THIS DOCUMENT THE RECIPIENT ACKNOWLEDGES AND AGREES THAT THIS DOCUMENT CANNOT BE USED IN ANY MANNER ADVERSE TO THE INTEREST OF EATON AND THAT NO PORTION OF THIS DRAWING MAY BE COPIED OR OTHERWISE REPRODUCED WITHOUT THE PRIOR WRITTEN CONSENT OF EATON, IN THE CASE OF CONFLICTING CONTRACTUAL PROVISIONS, THIS NOTICE SHALL GOVERN THE STATUS OF THIS DOCUMENT. ©2011 EATON CORPORATION - ALL RIGHTS RESERVED.