

DUOLINE™ Multi-Bag Filter Housing System



Duplex units for continuous filtration processes

DUOLINE units with FLOWLINE housings

Eaton's DUOLINE multi-bag filter housing systems are duplex units for continuous filtration processes where the system flow cannot be shut down for filter bag change-outs.

This multi-bag filter housing system consists of two single bag filter housings fitted together at the inlet and outlet by a butterfly valve or ball valve assembly. The dual housing system allows the filtration process to run continuously even during filter bag change-outs. Units come standard with filter bag size 02 stainless steel restrainer baskets.

Features

- Can be equipped with the most advanced TOPLINE™ single bag filter housing, the SIDELINE™ single bag filter housing for a greater range of applications or the economical FLOWLINE™ single bag filter housing for coarse particle filtration
- System arrangement assures continuous flow rates. One unit can be taken off-line in sequence for filter bag change-outs without having to take the other filter unit off-line

- Swing bolt cover for quick, easy filter bag change-outs. The TOPLINE single bag filter housing features a domed cover. FLOWLINE and SIDELINE single bag filter housings covers' feature an integrated ergonomic handle
- TOPLINE and SIDELINE models feature extended five year warranties and are designed in accordance with Section VIII, Division 1 of the ASME Code
- Smooth, bead-blasted finish makes it easy to completely clean the interior

Options

- Housings and fittings available in stainless steel or carbon steel for high corrosion resistance
- Available without valves, with butterfly valves or with ball valve assemblies
- Buna-N® O-rings for the cover are standard. EPDM, Viton®, PTFE encapsulated Viton or silicone rubber seals and gaskets are available
- Linkage assembly available. A quick turn of the linkage handle diverts the flow from one single bag filter housing to the other, guaranteeing a synchronized changeover

Viton® is a registered trademark of E. I. du Pont de Nemours and company.

EATON

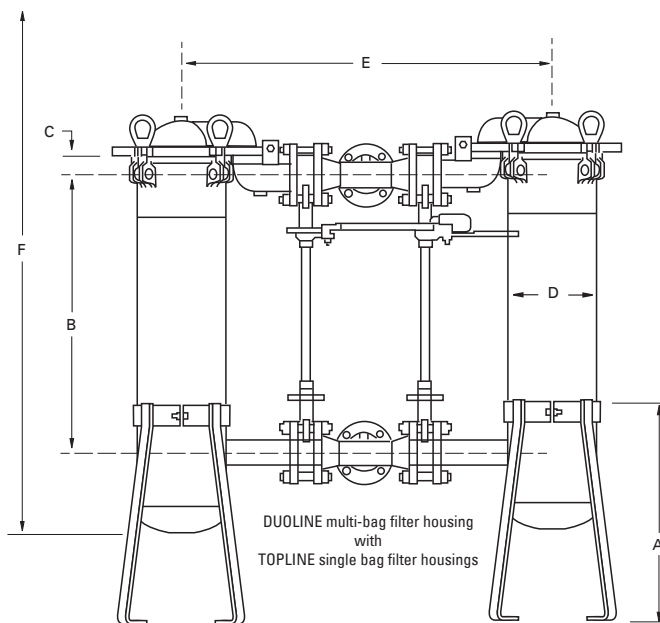
Powering Business Worldwide

DUOLINE Multi-Bag Filter Housing System

Applications

- Coarse filtration > 500 µm ✓
- Medium filtration > 10 µm ✓
- Fine filtration < 10 µm ✓

- Pre-filtration ✓
- Safety filtration ✓
- High volume
- Batch filtration
- Circuit filtration ✓
- Continuous filtration ✓
- Solvents, paints
- Fats and oils ✓
- Catalyst, activated carbon
- Acids, bases ✓
- Petrochemicals ✓
- Water, waste water ✓
- Chemical industry ✓
- Pharmaceuticals
- Metal cleaning
- Automotive
- Electronics
- Food and beverage
- Paint and lacquer ✓
- Water treatment ✓
- Galvanic industry



Dimensions - inch (mm)

Models	A	B	C	D	E	F
F3AVTB0222 (TOPLINE)	19.25 (489)	24.50 (622)	1.93 (49)	8.62 (219)	37.50 (952)	64.00 (1625)
F3AVTB0322 (TOPLINE)	19.25 (489)	24.50 (622)	1.93 (49)	8.62 (219)	37.50 (952)	64.00 (1625)
F3AVSB00222 (SIDELINE)	19.25 (489)	27.50 (698)	3.15 (80)	8.62 (219)	30.62 (777)	70.00 (1778)
F3AVSB00322 (SIDELINE)	19.25 (489)	27.50 (698)	3.15 (80)	8.62 (219)	33.12 (841)	70.00 (1778)
F3AVFB00422 (FLOWLINE)	19.25 (489)	28.44 (722)	3.34 (85)	7.68 (195)	26.75 (679)	69.00 (1752)
F3AVFB00442 (FLOWLINE)	19.25 (489)	28.44 (722)	3.34 (85)	7.68 (195)	26.75 (679)	69.00 (1752)
F3AVFB00443 (FLOWLINE)	19.25 (489)	28.44 (722)	3.44 (87)	7.68 (195)	31.75 (806)	69.00 (1752)
F3AVFB01073 (FLOWLINE)	19.25 (489)	28.44 (722)	3.44 (87)	7.68 (195)	31.75 (806)	69.00 (1752)

Dimensions for reference only and approximate. Exact dimensions for installation purposes available on request.

Technical data

Models	No. of filter bags	Size	Flow rate ¹ GPM (m ³ /h)	Max. pressure psi (bar)	Max. temp. °F (°C)	Housing volume gal (l)	Housing weight lb (kg)	I/O connections
F3AVTB0222 (TOPLINE)	2	2	176 (40)	150 (10)	250 (160)	16 (60.5)	240 (109)	2"
F3AVTB0322 (TOPLINE)	2	2	176 (40)	150 (10)	250 (160)	16 (60.5)	240 (109)	2"
F3AVSB00222 (SIDELINE)	2	2	176 (40)	150 (10)	250 (160)	16 (60.5)	300 (134)	2"
F3AVSB00322 (SIDELINE)	2	2	176 (40)	150 (10)	250 (160)	17 (64.35)	330 (149.7)	3"
F3AVFB00422 (FLOWLINE)	2	2	176 (40)	150 (10)	250 (160)	15 (56.78)	200 (90.7)	2"
F3AVFB00442 (FLOWLINE)	2	2	176 (40)	150 (10)	250 (160)	15 (56.78)	200 (90.7)	2"
F3AVFB00443 (FLOWLINE)	2	2	176 (40)	150 (10)	250 (160)	15 (56.78)	200 (90.7)	3"
F3AVFB01073 (FLOWLINE)	2	2	176 (40)	150 (10)	250 (160)	15 (56.78)	200 (90.7)	3"

¹ Maximum theoretical flow based on water viscosity, filter bag specific.

North America
44 Apple Street
Tinton Falls, NJ 07724
Toll Free: 800 656-3344
(North America only)
Tel: +1 732 212-4700

China
No. 3, Lane 280,
Linhong Road
Changning District, 200335
Shanghai, P.R. China
Tel: +86 21 5200-0099

Europe/Africa/Middle East
Auf der Heide 2
53947 Nettersheim, Germany
Tel: +49 2486 809-0

Singapore
100G Pasir Panjang Road #07-08
Singapore 118523
Tel: +65 6825-1668

Friedensstraße 41
68804 Altlußheim, Germany
Tel: +49 6205 2094-0
An den Nahewiesen 24
55450 Langenlonsheim, Germany
Tel: +49 6704 204-0

Brazil
Av. Ermano Marchetti, 1435 -
Água Branca, São Paulo - SP,
05038-001, Brasil
Tel: +55 11 3616-8461

For more information, please
email us at filtration@eaton.com
or visit www.eaton.com/filtration

© 2020 Eaton. All rights reserved. All trademarks and registered trademarks are the property of their respective owners. All information and recommendations appearing in this brochure concerning the use of products described herein are based on tests believed to be reliable. However, it is the user's responsibility to determine the suitability for his own use of such products. Since the actual use by others is beyond our control, no guarantee, expressed or implied, is made by Eaton as to the effects of such use or the results to be obtained. Eaton assumes no liability arising out of the use by others of such products. Nor is the information herein to be construed as absolutely complete, since additional information may be necessary or desirable when particular or exceptional conditions or circumstances exist or because of applicable laws or government regulations.

US
EF-FBH-19
08-2020