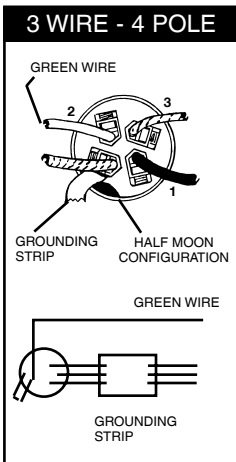
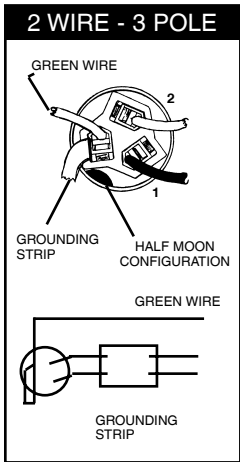


EBR Receptacles with Interlocked Circuit Breaker: Explosion-Proof, Dust-Ignition-Proof.

**Class I, Div. 1 and 2
Groups C, D
Class II, Div. 1 and 2
Groups F, G
Class III
Type 3R
NEMA 7CD, 9F*G**

Weatherproof Spring Cover—30, 60 and 100 Amps at 600V A.C. Max.
Interlocked Circuit Breaker Safety Construction. Grounding thru Extra Pole and Shell

**CAUTION: To prevent ignition of hazardous atmospheres, do not use in Class II, Group F locations that contain electrically conductive dusts. Most coal dusts are not electrically conductive.*



WIRING

1. Conductors from Receptacle are connected to the circuit breaker as shown.

CIRCUIT BREAKER REPLACEMENT

1. Loosen the two screws #1 located on the mounting plate on the load side of the breaker.

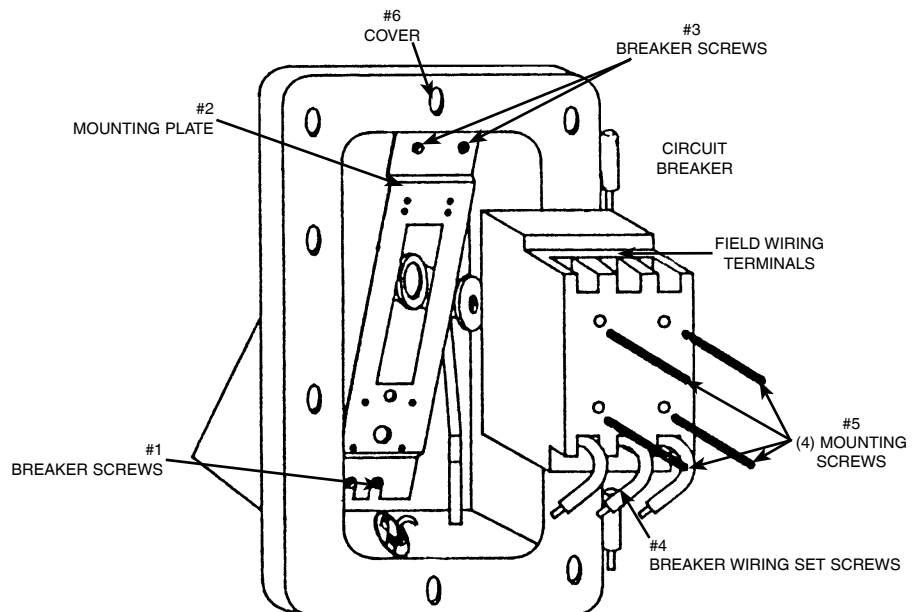
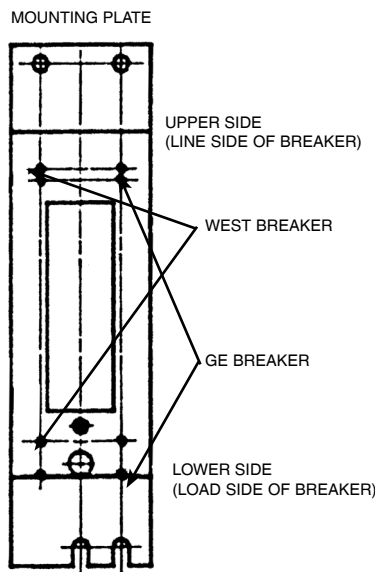
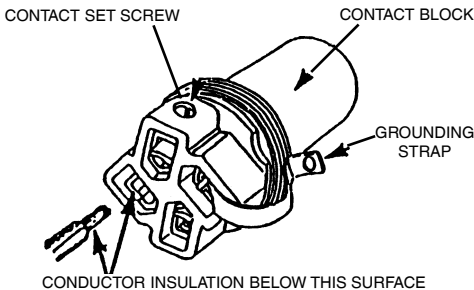
Note - only loosen enough for the mounting plate #2 to slide from under the screw heads.

2. Remove the remaining two screw #3 that secure the mounting plate #2 in place.

3. Loosen the breaker screws #4 that connect the breaker phase locations to the conductors which are attached to the contact block pins. Loosening of these screws will allow removal of the breaker and mounting plate assembly.

4. Loosen and remove the four breaker mounting screws #5 which secure the breaker to the mounting plate.

5. Discard the old breaker & four mounting screws #5. Insert the four new mounting screws #5 through the back of the new breaker. Fasten to the mounting plate #2 as shown. Cut off surplus length of screw protruding through the plate and fasten the mounting plate #2 to the inside of the cover #6 by reversing steps 1 to 3 above, making sure to tighten all screws securely.



INTERMATEABILITY CHART

APPLETON RECEPTACLE CAT.NO.	AMPS	VOLTS - AC	APPLETON PLUG	CROUSE-HINDS PLUG
EBR3023EH15, EHD15	15	480	ACP3023BC	APJ3385
EBR3023EH20, EHD20	20	480	ACP3023BC	APJ3385
EBR3023EH25, EHD25	25	480	ACP3023BC	APJ3385
EBR3023EH30, EHD30	30	480	ACP3023BC	APJ3385
EBR3023EH35, EHD35	30	480	ACP3023BC	APJ3385
EBR3023EH40, EHD40	30	480	ACP3023BC	APJ3385
EBR3023FB15, FBD15	15	600	ACP3023BC	APJ3385
EBR3023FB20, FBD20	20	600	ACP3023BC	APJ3385
EBR3023FB25, FBD25	25	600	ACP3023BC	APJ3385
EBR3023FB30, FBD30	30	600	ACP3023BC	APJ3385
EBR3023FB35, FBD35	30	600	ACP3023BC	APJ3385
EBR3023FB40, FBD40	30	600	ACP3023BC	APJ3385
EBR3023HFB15, FD15	15	600	ACP3023BC	APJ3385
EBR3023HFB20, FD20	20	600	ACP3023BC	APJ3385
EBR3023HFB25, FD25	25	600	ACP3023BC	APJ3385
EBR3023HFB30, FD30	30	600	ACP3023BC	APJ3385
EBR3023HFB35, FD35	30	600	ACP3023BC	APJ3385
EBR3023HFB40, FD40	30	600	ACP3023BC	APJ3385
EBR3034EH15, EHD15	15	480	ACP3034BC	APJ3485
EBR3034EH20, EHD20	20	480	ACP3034BC	APJ3485
EBR3034EH25, EHD25	25	480	ACP3034BC	APJ3485
EBR3034EH30, EHD30	30	480	ACP3034BC	APJ3485
EBR3034EH35, EHD35	30	480	ACP3034BC	APJ3485
EBR3034EH40, EHD40	30	480	ACP3034BC	APJ3485
EBR3034FB15, FBD15	15	600	ACP3034BC	APJ3485
EBR3034FB20, FBD20	20	600	ACP3034BC	APJ3485
EBR3034FB25, FBD25	25	600	ACP3034BC	APJ3485
EBR3034FB30, FBD30	30	600	ACP3034BC	APJ3485
EBR3034FB35, FBD35	30	600	ACP3034BC	APJ3485
EBR3034FB40, FBD40	30	600	ACP3034BC	APJ3485
EBR3034HFB15, FD15	15	600	ACP3034BC	APJ3485
EBR3034HFB20, FD20	20	600	ACP3034BC	APJ3485
EBR3034HFB25, FD25	25	600	ACP3034BC	APJ3485
EBR3034HFB30, FD30	30	600	ACP3034BC	APJ3485
EBR3034HFB35, FD35	30	600	ACP3034BC	APJ3485
EBR3034HFB40, FD40	30	600	ACP3034BC	APJ3485
EBR6023EH35, EHD35	35	480	ACP6023BC	APJ6385
EBR6023EH40, EH040	40	480	ACP6023BC	APJ6385
EBR6023EH45, EHD45	45	480	ACP6023BC	APJ6385
EBR6023EH50, EHD50	50	480	ACP6023BC	APJ6385
EBR6023EH60, EHD60	60	480	ACP6023BC	APJ6385
EBR6023EH70, EHD70	60	480	ACP6023BC	APJ6385
EBR6023FB35, FDB35	35	600	ACP6023BC	APJ6385
EBR6023FB40, FDB40	40	600	ACP6023BC	APJ6385
EBR6023FB45, FDB45	45	600	ACP6023BC	APJ6385
EBR6023FB50, FDB50	50	600	ACP6023BC	APJ6385
EBR6023FB60, FDB60	60	600	ACP6023BC	APJ6385
EBR6023FB70, FDB70	60	600	ACP6023BC	APJ6385
EBR6023HFB35, FD35	35	600	ACP6023BC	APJ6385
EBR6023HFB40, FD40	40	600	ACP6023BC	APJ6385
EBR6023HFB45, FD45	45	600	ACP6023BC	APJ6385
EBR6023HFB50, FD50	50	600	ACP6023BC	APJ6385
EBR6023HFB60, FD60	60	600	ACP6023BC	APJ6385
EBR6023HFB70, FD70	60	600	ACP6023BC	APJ6385
EBR6034EH35, EHD35	35	480	ACP6034BC	APJ6485
EBR6034EH40, EHD40	40	480	ACP6034BC	APJ6485
EBR6034EH45, EHD45	45	480	ACP6034BC	APJ6485
EBR6034EH50, EHD50	50	480	ACP6034BC	APJ6485
EBR6034EH60, EHD60	60	480	ACP6034BC	APJ6485
EBR6034EH70, EHD70	60	480	ACP6034BC	APJ6485
EBR6034FB35, FDB35	35	600	ACP6034BC	APJ6485
EBR6034FB40, FDB40	40	600	ACP6034BC	APJ6485
EBR6034FB45, FDB45	45	600	ACP6034BC	APJ6485
EBR6034FB50, FDB50	50	600	ACP6034BC	APJ6485
EBR6034FB60, FDB60	60	600	ACP6034BC	APJ6485
EBR6034FB70, FDB70	60	600	ACP6034BC	APJ6485
EBR6034HFB35, FD35	35	600	ACP6034BC	APJ6485
EBR6034HFB40, FD40	40	600	ACP6034BC	APJ6485
EBR6034HFB45, FD45	45	600	ACP6034BC	APJ6485
EBR6034HFB50, FD50	50	600	ACP6034BC	APJ6485
EBR6034HFB60, FD60	60	600	ACP6034BC	APJ6485
EBR6034HFB70, FD70	60	600	ACP6034BC	APJ6485

Note:

The Appletton "EBR" Receptacles and "ACP" Plugs are UL Listed Combinations. The Appletton "ERB" Receptacles with Crouse-Hinds UL Listed "APJ" Series Plugs are UL Classified Combinations. Classifications are for Class I, Div. 1, Groups C and D. Receptacles with the P4 suffix have the interior rotated 22 1/2° for special polarization applications. They are compatible only with Appletton plugs with the P4 option, or Crouse-Hinds plugs with the S4 option.