

Contender™ CPS Factory Sealed 20 Amp Pin and Sleeve Receptacles

Explosionproof, Delayed Action

NEC:
Class I, Division 1 and 2, Groups C, D

**Does not intermate with
CPS 20 Amp Factory Sealed Pin
and Sleeve Receptacles**

Applications

- Locations where receptacles are used with stationary or portable electrically operated devices such as:
 - Lighting systems
 - Conveyors
 - Heaters
 - Motor-generator sets
 - Air conditioners
 - Compressors
 - Pumps
- Locations where damp or corrosive conditions exist.
- Meets all UL requirements for ground fault protection in hazardous locations when GFCI cover is used.

Features

- Covers are UL Listed when used with Contender™ Series mounting bodies.
- Plug mechanical cable clamps prevent strain on cables – they meet or exceed UL strain relief pull-out requirements.
- Insulators provide superior dielectric and mechanical strength and lowest arc tracking.
- Delayed action construction: insert plug partially rotate slide on front of receptacle and insert plug fully.
- Factory sealed: external seals not required.
- Plug and receptacles are supplied with pressure terminal connectors.

Standard Materials

- Cover: copperfree (4/10 of 1% max.) aluminum
- Mounting bodies: malleable iron
- Screws: captive hex head slotted, stainless steel
- Insulating blocks: fiberglass reinforced thermoset polyester
- Plug grommet: neoprene

Standard Finishes

- Malleable iron mounting bodies: triple-coat– (1) zinc electroplate, (2) chromate and (3) epoxy powder coat
- Covers and aluminum mounting bodies: epoxy powder coat

Options

- Copperfree (4/10 of 1% max.) aluminum receptacle cover and box. Add suffix **-SA**.
- U-Line™ Corrosion Resistance kit. Order **ULINEREC4XKIT**.

NEC/CEC Certifications and Compliances

- UL Standard: UL 1010 (UL 1203), UL 894
- UL Listed: E10784



APPLETON™

PLUGS AND RECEPTACLES: NEC/CEC HAZARDOUS LOCATION




Note: Covers are UL Classified to mount on Crouse-Hinds EDS mounting bodies. Crouse-Hinds and ENP are registered trademarks of Cooper Crouse-Hinds.

Contender™ CPS Factory Sealed 20 Amp Pin and Sleeve Receptacles

Explosionproof, Delayed Action

NEC:
Class I, Division 1 and 2, Groups C, D

**Does not intermate with
CPS 20 Amp Factory Sealed Pin
and Sleeve Receptacles**

				Catalog Numbers ① 20 Amp 125–250 Vac 1HP, 20 Amp @ 18 Vdc
		Type	Wire/Pole	Hub Size (Inches)
Single Gang				
 <p>Dead-End Feed-Thru</p>	Dead-End	2W, 3P	1/2	CPS152-101
			3/4	CPS152-201
			1	CPS152-301
	Feed-Thru	2W, 3P	1/2	CPS152-111
			3/4	CPS152-211
			1	CPS152-311
Two Gang				
	Dead-End	2W, 3P	1/2	CPS152-102
			3/4	CPS152-202
			1	CPS152-302
	Feed-Thru	2W, 3P	1/2	CPS152-112
			3/4	CPS152-212
			1	CPS152-312
Receptacle with GFI ②				
	Dead-End	2W, 3P	1/2	CPS152-102GFI
			3/4	CPS152-202GFI
			1	CPS152-302GFI
	Feed-Thru	2W, 3P	1/2	CPS152-112GFI
			3/4	CPS152-212GFI
			1	CPS152-312GFI

APPLETON™

PLUGS AND RECEPTACLES: NEC/CEC HAZARDOUS LOCATION

① Aluminum receptacle cover and malleable iron EDS box. For aluminum box and receptacle cover, add suffix **-SA**.

② GFI units rated 20 Amp, 125 Vac.





Note: Appleton Contender CPS Receptacles UL Classified for use with Crouse-Hinds CPS plugs. Appleton covers are UL Classified to mount on Crouse-Hinds EDS mounting bodies. Crouse-Hinds and ENP are registered trademarks of Cooper Crouse-Hinds.

Contender™ CPS Factory Sealed 20 Amp Pin and Sleeve Receptacles

Explosionproof, Delayed Action

NEC:
Class I, Division 1 and 2, Groups C, D

Does not intermate with
CPS 20 Amp Factory Sealed Pin
and Sleeve Receptacles

		Type	Wire/Pole	Plug Cable Diameter (Inches)	Catalog Numbers ① 20 Amp 125–250 Vac 1HP, 20 Amp @ 18 Vdc
Cover Assemblies					
		Receptacle with Spring Cover Only			CPS152R
		GFCI Cover, 5 mA Trip Setting ②			GFS1
CPS152R	GFS1				
		Spring Cover Replacement Kit (Aluminum)			CPSCA
CPSCA					
Plug		Pressure Terminals Plug amperes match receptacle ratings	2W, 3P	0.538 to 0.639	CPP516

APPLETON™

PLUGS AND RECEPTACLES: NEC/CEC HAZARDOUS LOCATION

① Aluminum receptacle cover and malleable iron EDS box. For aluminum box and receptacle cover, add suffix **-SA**.

② GFI units rated 20 Amp, 125 Vac.

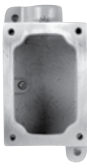
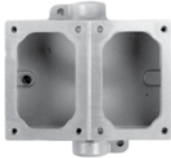

Note: Appleton CPP516 plug is UL Classified for use on Crouse-Hinds CPS receptacles. Appleton covers are UL Classified to mount on Crouse-Hinds EDS mounting bodies. Crouse-Hinds and ENP are registered trademarks of Cooper Crouse-Hinds.

Contender™ CPS Factory Sealed 20 Amp Pin and Sleeve Receptacles

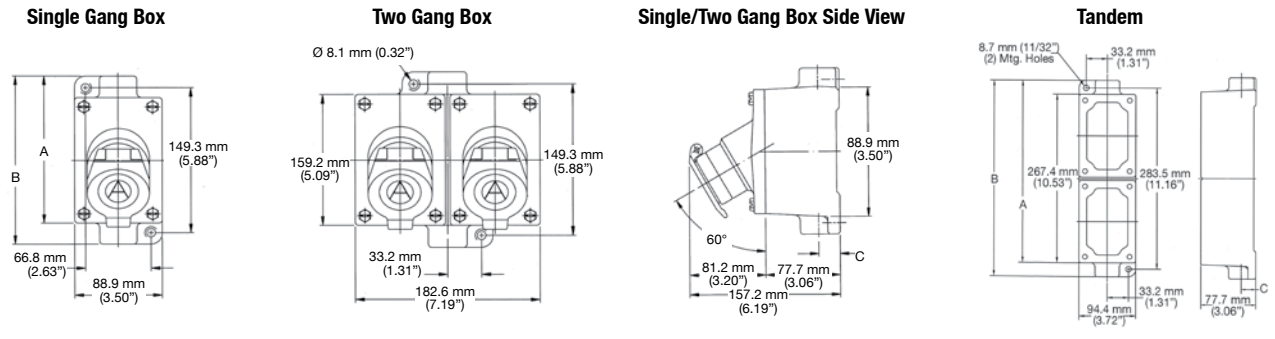
For Contender™ CPS 20 Amp Factory Sealed Receptacles and CPP Plugs. Mounting Boxes

NEC:
 Class I, Division 1 and 2, Groups C, D
 Class II, Division 1 and 2, Groups E, F, G
 Class III
 NEMA 3, 7CD, 9EFG

EDS Cast Device Mounting Boxes

Type	Hub Size (Inches)	Dimensions in Millimeters (Inches)			Catalog Number		
		A	B	C	Malleable Iron	Aluminum	
Single Gang							
	Dead-End	1/2	153.9 (6.06)	172.9 (6.81)	19.0 (0.75)	EDS171	EDS171-SA
		3/4	153.9 (6.06)	172.9 (6.81)	22.3 (0.88)	EDS271	EDS271-SA
		1	156.7 (6.17)	178.5 (7.03)	25.4 (1.00)	EDS371	EDS371-SA
	Feed-Thru	1/2	153.9 (6.06)	172.9 (6.81)	19.0 (0.75)	EDSC171	EDSC171-SA
		3/4	153.9 (6.06)	172.9 (6.81)	22.3 (0.88)	EDSC271	EDSC271-SA
		1	156.7 (6.17)	178.5 (7.03)	25.4 (1.00)	EDSC371	EDSC371-SA
Two Gang							
	Dead-End	1/2	153.9 (6.06)	172.9 (6.81)	22.3 (0.88)	EDS172	EDS172-SA
		3/4	153.9 (6.06)	172.9 (6.81)	22.3 (0.88)	EDS272	EDS272-SA
		1	156.7 (6.17)	178.5 (7.03)	25.4 (1.00)	EDS372	EDS372-SA
	Feed-Thru	1/2	153.9 (6.06)	172.9 (6.81)	22.3 (0.88)	EDSC172	EDSC172-SA
		3/4	153.9 (6.06)	172.9 (6.81)	22.3 (0.88)	EDSC272	EDSC272-SA
		1	156.7 (6.17)	178.5 (7.03)	25.4 (1.00)	EDSC372	EDSC372-SA
Tandem ①							
	Dead-End	1/2	287.2 (11.31)	307.0 (12.09)	22.3 (0.88)	EDS147	EDS147-SA
		3/4	287.2 (11.31)	307.0 (12.09)	22.3 (0.88)	EDS247	EDS247-SA
		1	290.5 (11.44)	312.6 (12.31)	25.4 (1.00)	EDS347	EDS347-SA
	Feed-Thru	1/2	287.2 (11.31)	307.0 (12.09)	22.3 (0.88)	EDSC147	EDSC147-SA
		3/4	287.2 (11.31)	307.0 (12.09)	22.3 (0.88)	EDSC247	EDSC247-SA
		1	290.5 (11.44)	312.6 (12.31)	25.4 (1.00)	EDSC347	EDSC347-SA

Dimensions in Millimeters (Inches)



① For tandem bodies, external seals must be installed within 1.52 meters (5 feet) of each conduit entrance for Class I, Groups C and D.

Contender™ CPS Factory Sealed 20 Amp Pin and Sleeve Receptacles

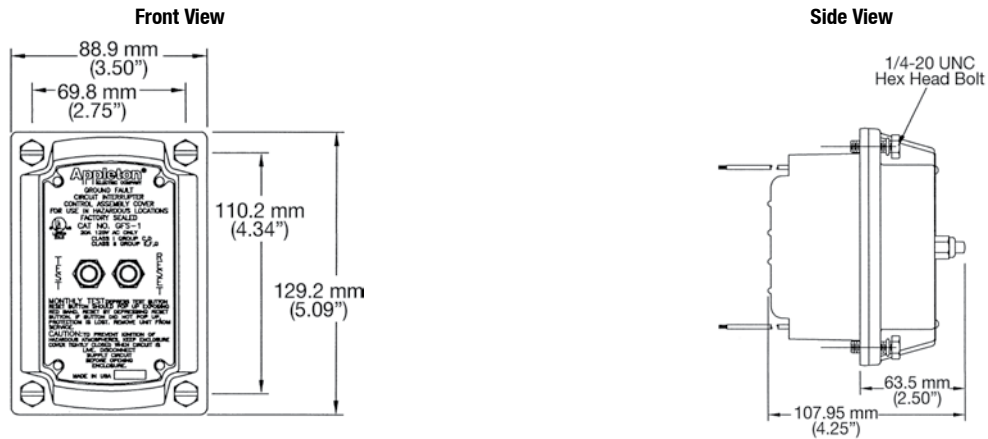
Explosionproof, Delayed Action

NEC:
Class I, Division 1 and 2, Groups C, D

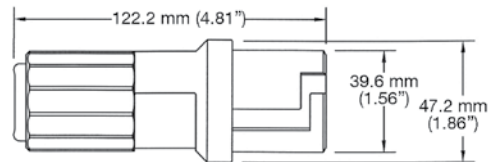
Does not intermate with
CPS 20 Amp Factory Sealed Pin
and Sleeve Receptacles

Dimensions in Millimeters (Inches)

GFS-1



CPP Plug



APPLETON™

PLUGS AND RECEPTACLES: NEC/CEC HAZARDOUS LOCATION

FSQX 30 Amp Receptacles with Interlocked Switch and Cover

Explosionproof, Dust-Ignitionproof

Raintight Screw Cap Receptacle Cover—Interlocked Switch and Cover Safety Construction.

NEC:

Class I, Division 1 and 2, Groups B, C, D

Class II, Division 1 and 2, Groups F, G

Class III

NEMA 7BCD, 9FG

Applications

- Locations where receptacles are used with stationary or portable electrically operated devices such as:
 - Lighting systems
 - Conveyors
 - Heaters
 - Motor-generator sets
 - Air conditioners
 - Compressors
 - Pumps
- Locations with damp or corrosive conditions.
- Class I: locations where ignitable vapors or gases are present such as:
 - Petrochemical plants
 - Petroleum refineries
 - Paint and chemical plants
- Class II: locations such as process industries where there are dust hazards from handling such products as flour, grain and starch or any location where ignitable amounts of dust are present or amounts which would adversely affect performance.

Features

- Energized receptacle contacts deeply recessed to reduce danger of accidental touching.
- Screw cap fastened to chain.
- Unique design brass contacts exert constant pressure along entire contact surface and provide superior electrical contact.
- Plug mechanical cable clamps prevent strain on cables — they meet or exceed UL strain relief pull-out requirements.
- Neoprene bushing compressed by cable collar prevents entrance of water.
- Insulators provide superior dielectric and mechanical strength and lowest arc tracking.
- Smooth, rounded integral bushing in each hub protects conductor insulation.
- "Interlocked Switch and Cover" offers double protection—plug cannot be inserted or removed unless switch is in "OFF" position. Interlock device in the cover breaks circuit when locking screw is backed down for cover removal. To operate, insert plug and turn switch to "ON" position.

Standard Materials

- Body: malleable iron
- Screw covers: copperfree (4/10 of 1% max.) aluminum
- Insulating blocks: phenolic

Standard Finishes

- Malleable iron receptacles: triple-coat-(1) zinc electroplate, (2) chromate and (3) epoxy powder coat
- Cord connector housings and caps: epoxy powder coat

NEC Certifications and Compliances

- UL Standard: UL 1010 (UL1203), UL 894
- UL Listed: E10784

