

WSRD Interlocked Receptacle

With Enclosed Disconnect Switch

600 Vac, 250 Vdc, 30, 60, 100 Amp, 50/60 Hz, Fused and Non-fused for use with Powertite™ ACP and CPH plugs.

NEC/CEC:

Rated for Ordinary (Unclassified) Locations

Applications

- Designed for use in raintight or watertight, non-hazardous, heavy duty applications where a service outlet is required for portable or fixed electrical equipment such as:
 - Welders
 - Generators
 - Compressors
 - Infrared ovens
 - Batch feeders
 - Conveyors
 - Truck terminals
 - Marine docks
- Ideally suited for use in industrial plant applications such as:
 - Automotive and steel processing plants
 - Pulp and paper processing plants
 - Milk processing plants and creameries
 - Fabrication yards and shipyards
 - Refrigerated truck terminals

Features

- For use where an interlocked disconnect switch is desired to control a Powertite™ receptacle and insertion or removal of plug. Interlock prohibits plug insertion or removal under load. Plug is secured in place by interlock and cannot be withdrawn unless interlock release lever is actuated.
- Spring door standard and screw cap provided at no additional cost to meet NEMA 3, 3R, 4, 4X applications.
- The Square D™ F-Series offers the latest in switch technology: An operating mechanism designed to endure at least three times the number of operations required by NEMA and UL standards; modular componentry designed for quick and easy maintenance; and visible blades for an extra measure of safety while the low mass cam allows greater blade operating speed and reduced mechanical wear.
- Insulated, dual-color polymer operating handle clearly indicates the switch being energized. Ergonomically designed handle is made of high-impact polymer material for exceptional ruggedness, durability and corrosion resistance ◀.
- Utilizes Style 2 (shell and extra pole) grounding and 3-wire, 4-pole receptacle wiring.
- Class R fusing standard on WSRD units. Product can be retrofitted with Class J, K, or S fusing.
- Short circuit withstand rated to 200,000 RMS symmetrical Amps (Class R and J Fusing).
- Unit is equipped with defeatable door interlock which allows emergency access when switch is energized.
- Cover can be padlocked closed.
- Operating handle can be locked in the "OFF" or "ON" position.
- Dead front design: receptacle is not energized until plug is fully inserted and switch is engaged.
- Wire size for 30 and 60 Amp models is #14 to #2 AWG. For 100 Amp models it is #14 to #1/0 AWG.



WSRD (Cutler Hammer)
Sheet Metal Enclosure



WSRD (Square D)
Sheet Metal Enclosure



WSRD
Stainless Steel Enclosure

Standard Materials and Finishes

- Receptacle assembly: copperfree (4/10 of 1% max.) aluminum with epoxy powder coating inside and outside
- WSRD enclosure: enamel coated sheet metal
- WSRD-N4 enclosure: stainless steel
- Operating handle ◀: high impact polymer
- WSRD-N4 hardware: stainless steel

NEC/CEC Certifications and Compliances

- UL Standard: UL 98, UL 50E, UL 1682, UL 1686
- CSA Standard: C22.2 No.4, C22.2 No. 182.1

Related Products

- Uses standard Powertite™ ACP or CPH plugs for wide acceptability.

■ Square D is a registered trademark of Schneider Electric.

◀ Cutler Hammer models have metallic handles. Cutler Hammer is a registered trademark of Eaton Corporation.

UL Classified for use with Crouse-Hinds Arkrite® plugs. Arkrite is a registered trademark of Cooper Crouse-Hinds.

WSRD Interlocked Receptacle

With Enclosed Disconnect Switch

600 Vac, 250 Vdc, 30, 60, 100 Amp, 50/60 Hz, Fused and Non-fused for use with Powertite™ ACP and CPH plugs.

NEC/CEC :

Rated for Ordinary (Unclassified) Locations

Amp	Wire Size AWG	Fusing ①	HP at 600 Vac Std/Max 3-Phase	Without Viewing Window	With Viewing Window	Aux. Contacts ② 1 or 2 NO/NC		Mating Plug
Sheet Metal Enclosure — NEMA 3R, 12 *								
30	#14 to #2	Fused	7.5/20	WSRD3352SQ	WSRD3352WSQ	WSAUX1	WSAUX2	ACP3034BC
		Non-Fused	30	WSRD33542SQ	WSRD33542WSQ	WSAUX1	WSAUX2	ACP3034BC
60	#6 to #2	Fused	15/50	WSRD6352 ♦	N/A	WSRDAUX1	WSRDAUX2	ACP6034BC
		Non-Fused	60	WSRD63542 ♦	N/A	WSRDAUX1	WSRDAUX2	ACP6034BC
		Fused	15/50	WSRD6352SQ	WSRD6352WSQ	WSAUX1	WSAUX2	ACP6034BC
		Non-Fused	60	WSRD63542SQ	WSRD63542WSQ	WSAUX1	WSAUX2	ACP6034BC
100	#4 to #1/0	Fused	30/75	WSRD10352SQ	WSRD10352WSQ	WSAUX1	WSAUX2	ACP1034CD
		Non-Fused	75	WSRD103542SQ	WSRD103542WSQ	WSAUX1	WSAUX2	ACP1034CD
Stainless Steel Enclosure — NEMA 3, 3R, 4, 4X, 12 *								
30	#14 to #2	Fused	7.5/20	WSRD3352N4SD	WSRD3352N4WSD	WSAUX1	WSAUX2	ACP3034BC
		Non-Fused	20	WSRD33542N4SD	WSRD33542N4WSD	WSAUX1	WSAUX2	ACP3034BC
60	#6 to #2	Fused	15/50	WSRD6352N4SD	WSRD6352N4WSD	WSAUX1	WSAUX2	ACP6034BC
		Non-Fused	50	WSRD63542N4SD	WSRD63542N4WSD	WSAUX1	WSAUX2	ACP6034BC
100	#4 to #1/0	Fused	30/75	WSRD10352N4SD	WSRD10352N4WSD	WSAUX1	WSAUX2	ACP1034CD
		Non-Fused	75	WSRD103542N4SD	WSRD103542N4WSD	WSAUX1	WSAUX2	ACP1034CD

Square D Auxiliary Contacts for WSRD Disconnect Switch †

Interlock Type	50 or 60 Hz Vac	Make	Break	Cont.	Vdc	Make and Break	Cont.	Catalog Number
1 NO/1 NC CONTACT	120	40A	15A	15A	115	0.50A	15A	WSAUX1
	240	20A	10A	15A	230	0.25A	15A	
	480	10A	6A	15A	—	—	—	
	600	8A	5A	15A	600	0.05A	15A	
2 NO/2 NC CONTACTS	120	30A	3.0A	10A	115	1.0A	10A	WSAUX2
	240	15A	1.5A	10A	230	0.30A	10A	
	480	7.5A	.75A	10A	—	—	—	
	600	6.0A	.60A	10A	600	0.10A	10A	

① Fuses not included in fused products. Class R fusing standard on WSRD fusible units. Product can be retrofitted with Class J, K, or S fusing.

② To order with auxiliary contacts installed, add suffix from this column to end of Catalog Number.

■ Standard Square D F-Series Disconnect Switch, except where noted.

♦ Cutler Hammer Disconnect Switch. Cutler Hammer auxiliary switch is 1 NO/1 NC or 2 NO/2 NC.

† Single pole single throw interlock kits are rated 1/2 HP @ 110 and 220 Vac. WSAUX1 utilizes a 9007A01 limit switch. WSAUX2 utilizes a 9007C03 limit switch.

WSRD Interlocked Receptacle

With Enclosed Disconnect Switch

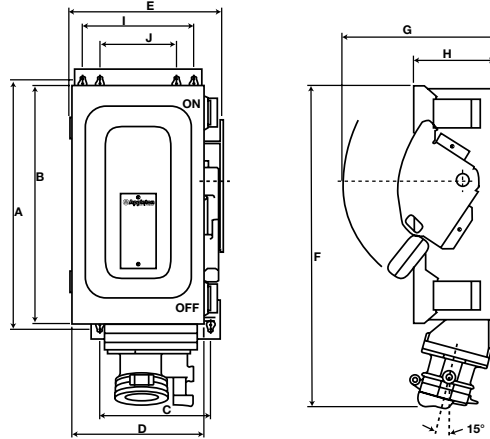
600 Vac, 250 Vdc, 30, 60, 100 Amp, 50/60 Hz, Fused and Non-fused for use with Powertite™ ACP and CPH plugs.

NEC/CEC:
Rated for Ordinary (Unclassified) Locations

PLUGS AND RECEPTACLES: NEC/CEC ORDINARY LOCATION

Dimensions in Millimeters (Inches)

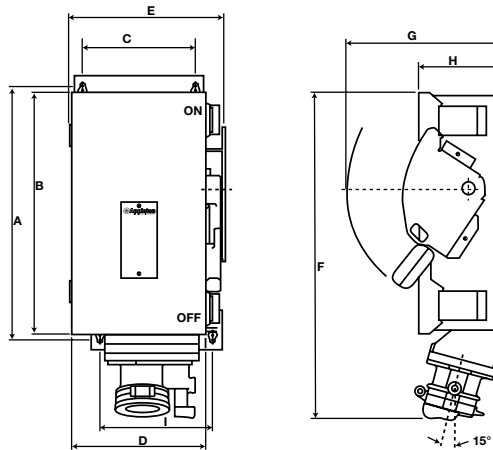
WSRD Interlocked Receptacle with Enclosed Switch – Square D – NEMA 12



Dimensions in Millimeters (Inches)

Amp	A	B	C	D	E	F	G	H	I	J
30 and 60	425.4 (16.75)	419.1 (16.50)	190.5 (7.50)	228.6 (9.0)	266.7 (10.50)	565.1 (22.25)	261.8 (10.31)	140.4 (5.53)	190.5 (7.50)	130.0 (5.12)
100	527.0 (20.75)	520.7 (20.50)	190.5 (7.50)	228.6 (9.0)	266.7 (10.50)	666.7 (26.25)	261.8 (10.31)	140.4 (5.53)	190.5 (7.50)	130.0 (5.12)

WSRD Interlocked Receptacle with Enclosed Switch – Square D – NEMA 4



Dimensions in Millimeters (Inches)

Amp	A	B	C	D	E	F	G	H	I
30 and 60	443.4 (17.46)	428.4 (16.87)	190.5 (7.50)	226.5 (8.92)	274.5 (10.81)	584.2 (23.0)	25.4 (10.00)	129.7 (5.11)	190.5 (7.50)
100	543.8 (21.41)	528.8 (20.82)	190.5 (7.50)	237.4 (9.36)	285.7 (11.25)	711.2 (28.0)	25.7 (10.13)	177.0 (6.97)	190.5 (7.50)

WSRD Interlocked Receptacle

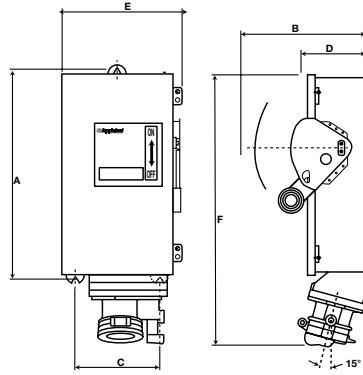
With Enclosed Disconnect Switch

600 Vac, 250 Vdc, 30, 60, 100 Amp, 50/60 Hz, Fused and Non-fused for use with Powertite™ ACP and CPH plugs.

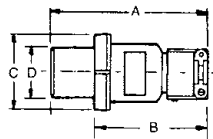
NEC/CEC:
Rated for Ordinary (Unclassified) Locations

Dimensions in Millimeters (Inches)

WSRD Interlocked Receptacle – Cutler Hammer – NEMA 12



ACP Plug



Amp	No. Poles	Dimensions in Millimeters (Inches)			
		A	B	C	D
30	2,3,4	152.4 (6.00)	120.6 (4.75)	79.5 (3.13)	47.2 (1.86)
60	4	198.3 (7.81)	125.4 (4.94)	96.7 (3.81)	64.7 (2.55)
100	4	266.7 (10.50)	168.4 (6.63)	107.9 (4.25)	69.0 (2.72)

PLUGS AND RECEPTACLES: NEC/CEC ORDINARY LOCATION

Appleton®