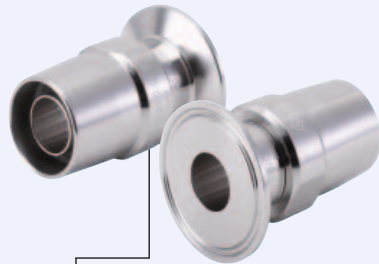
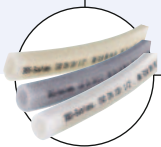


Re-usable hose connections

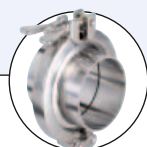


Hygienic Processing Components.....

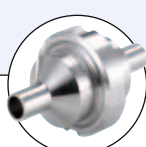
- Guaranteed crevice free
- Fully traceable wetted materials
- Excellent sealing properties maintaining sterility
- Suitable for CIP and SIP
- Virtually unlimited flexibility



Type BBS-04
Silicone tube



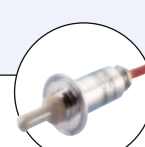
Type BBS-05
BBS Quick connect



Type BBS-10
Check valve



Type 2103
Diaphragm valve



Type 8221
Conductivity sensor



Type 8650
Process Automation

These hose unions offer optimum flexibility, while the purity of the process is maintained at the highest level.

The appropriate connection is selected depending on the required size of hose. These are available in many designs ranging from standard Clamp, weld end, threaded and flanged. In addition, we also provide for you solutions which are suitable for your specific requirements.

Please note that these unions are designed only for use with our type BBS-04 silicone hose.

Technical data

Available standard sizes	ISO DN08 to DN50 BS-OD DN1/4" to DN2" DIN DN08 to DN50 Customized solution on request
Materials	
Wetted parts material	Stainless steel 1.4435 BN2 (316L) Special materials on request
Unwetted parts material	1.4305 or equivalent
Surface quality	Fluid contacted surface < Ra 0.8 µm, electro polished, finer surface on request
Operating / Burst pressure	See data sheet BBS-04 silicone hose
Process temperature	See data sheet BBS-04 silicone hose
Ambient temperature	-20...+80°C
Fluids	Gases or liquids
Applicable Standards	Pipe connection acc. to DIN 11866 ISO-Dimensions Series B (ISO 4200) BS-OD-Dimensions Series C (ASME BPE) DIN-Dimensions Series A (DIN 11850) Clamp connection acc. to DIN 32676
Certifications	Material 3.1 for all wetted parts

Applications

- Biotechnology
- Pharmaceutical
- Chemical industry
- Dairy
- Food
- Cosmetic

Suitable hoses regarding hose unions

ISO hose unions

Orifice	Hose dimension [inner diameter x thickness]
DN08	10 x 4.75
DN10	12.7 x 4.75
DN15	19 x 5.8
DN20	25.4 x 6.35
DN25	32 x 7
DN32	38 x 7
DN40	45 x 7
DN50	55 x 7

DIN hose unions

Orifice	Hose dimension [inner diameter x thickness]
DN08	8 x 3.2
DN10	10 x 4.75
DN15	12.7 x 4.75
DN20	19 x 5.8
DN25	25.4 x 6.35
DN32	32 x 7
DN40	38 x 7
DN50	55 x 7

BS-OD hose unions

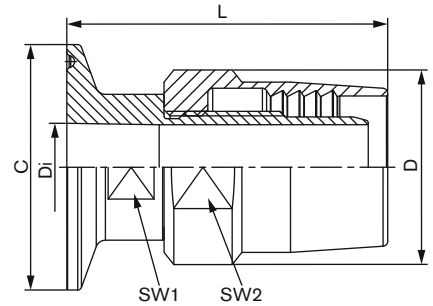
Orifice	Hose dimension [inner diameter x thickness]
DN1/4"	5 x 2.5
DN3/8"	8 x 3.2
DN1/2"	12.7 x 4.75
DN3/4"	19 x 5.8
DN1"	25.4 x 6.35
DN1 1/2"	38 x 7
DN2"	45 x 7

Dimensions [mm]

• **Clamp version**

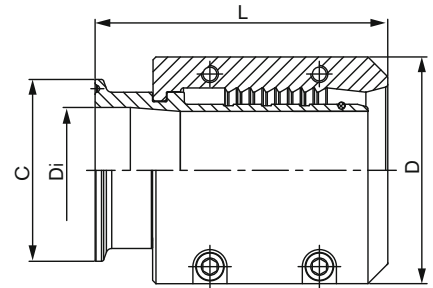
ISO standard hose union with Clamp

Orifice	C [mm]	Di [mm]	L [mm]	D [mm]	SW1 [mm]	SW2 [mm]	Item no.
DN08	25.00	10.30	49.00	21.70	17.00	24.00	742 223
DN10	25.00	14.00	50.00	29.70	19.00	27.00	742 117
DN15	50.50	18.10	66.00	40.00	27.00	36.00	742 119
DN20	50.50	23.70	78.50	49.50	32.00	46.00	742 226
DN25	50.50	29.70	96.00	57.00	41.00	55.00	742 127



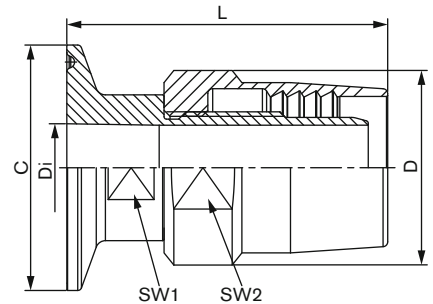
ISO standard hose connection with Clamp

Orifice	C [mm]	Di [mm]	L [mm]	D [mm]	Item no.
DN32	64.00	38.40	89.70	74.00	742 135
DN40	64.00	44.30	101.80	78.80	742 139
DN50	77.50	56.30	124.00	92.00	742 140



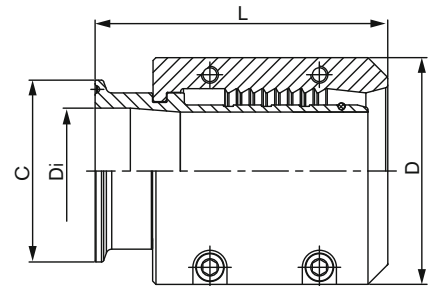
BS-OD standard hose union with Clamp

Orifice	C [mm]	Di [mm]	L [mm]	D [mm]	SW1 [mm]	SW2 [mm]	Item no.
DN1/4"	25.00	4.57	38.50	19.80	14.00	17.00	743 031
DN3/8"	25.00	7.75	49.00	21.70	17.00	24.00	741 989
DN1/2"	25.00	9.40	50.00	29.70	19.00	27.00	741 993
DN3/4"	25.00	15.75	66.00	40.00	27.00	36.00	741 995
DN1"	50.50	22.10	78.50	49.50	32.00	46.00	742 001



BS-OD standard hose connection with Clamp

Orifice	C [mm]	Di [mm]	L [mm]	D [mm]	Item no.
DN1 1/2"	50.50	34.80	92.90	74.00	742 007
DN2"	64.00	47.50	102.00	79.80	742 017
DN2 1/2"	77.50	60.20	123.00	92.00	743 239



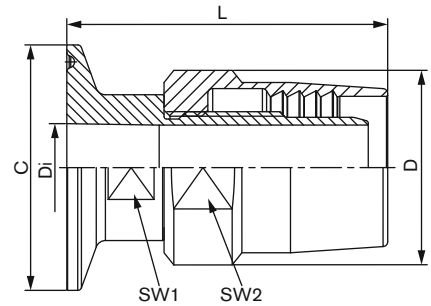
Note: A completely gap-free connection feature can only be given in combination with original BBS silicone hose.

Dimensions [mm], continued

• **Clamp version**

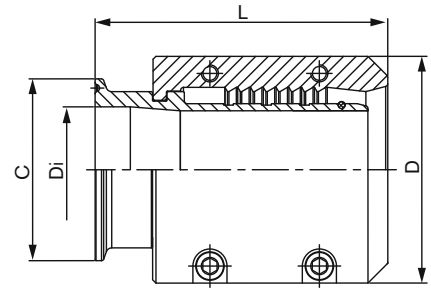
DIN standard hose union with Clamp

Orifice	C [mm]	Di [mm]	L [mm]	D [mm]	SW1 [mm]	SW2 [mm]	Item no.
DN08	25.00	8.00	39.50	22.00	17.00	20.00	742 106
DN10	25.00	10.00	49.00	21.70	17.00	24.00	742 107
DN15	34.00	16.00	50.00	29.70	19.00	27.00	742 108
DN20	34.00	20.00	64.00	38.60	22.00	36.00	742 109
DN25	50.50	26.00	78.50	49.50	32.00	46.00	742 111
DN32	50.50	32.00	90.00	56.00	41.00	54.00	744 803



DIN standard hose connection with Clamp

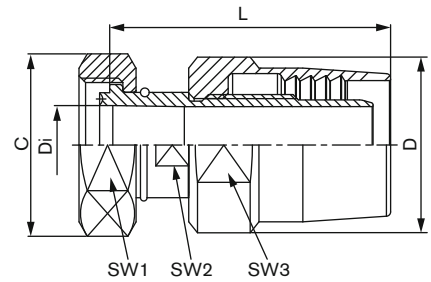
Orifice	C [mm]	Di [mm]	L [mm]	D [mm]	Item no.
DN40	50.50	38.00	89.70	74.00	742 112
DN50	64.00	50.00	122.50	92.00	742 114



• **Sterile version**

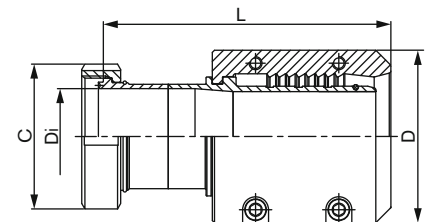
ISO standard sterile hose union

Orifice	C [mm]	Di [mm]	L [mm]	D [mm]	SW1 [mm]	SW2 [mm]	SW3 [mm]	Item no.
DN08	31.20	10.30	49.00	27.70	27.00	14.00	24.00	742 056
DN10	36.50	14.00	52.00	29.70	32.00	19.00	27.00	742 066
DN15	41.60	18.10	64.00	38.60	36.00	22.00	36.00	742 072
DN20	48.00	23.70	79.30	49.50	42.00	28.00	46.00	742 083
DN25	52.00	29.70	121.00	57.00	46.00	32.00	55.00	742 086



ISO standard sterile hose connection

Orifice	C [mm]	Di [mm]	L [mm]	D [mm]	Item no.
DN32	62.00	38.40	111.00	74.00	742 088
DN40	67.00	44.30	132.80	79.80	742 090
DN50	80.00	56.30	144.00	92.00	742 091



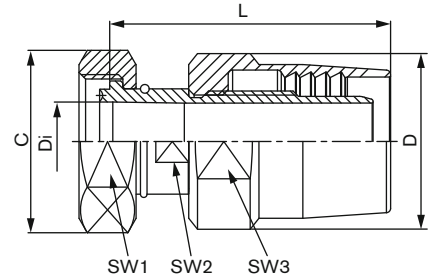
Note: A completely gap-free connection feature can only be given in combination with original BBS silicone hose.

Dimensions [mm], continued

• Sterile version

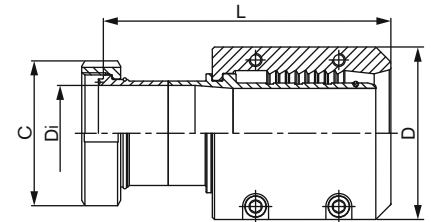
BS-OD standard sterile hose union

Orifice	C [mm]	Di [mm]	L [mm]	D [mm]	SW1 [mm]	SW2 [mm]	SW3 [mm]	Item no.
DN1/4"	21.90	4.57	42.30	22.00	22.00	11.00	17.00	742 092
DN3/8"	21.90	7.70	49.00	27.70	27.00	14.00	24.00	742 093
DN1/2"	24.50	9.40	52.00	29.70	32.00	19.00	27.00	742 094
DN3/4"	31.20	15.75	65.00	38.60	42.00	22.00	36.00	742 095
DN1"	36.50	22.10	79.30	49.50	42.00	28.00	46.00	742 096



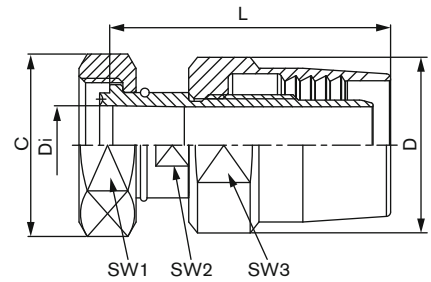
BS-OD standard sterile hose connection

Orifice	C [mm]	Di [mm]	L [mm]	D [mm]	Item no.
DN1 1/2"	62.00	34.80	133.40	74.00	742 097
DN2"	80.00	47.50	144.60	79.80	744 798



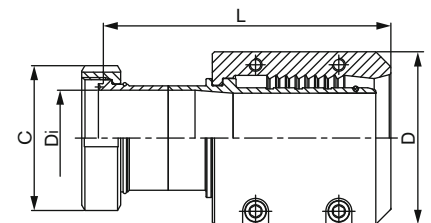
DIN standard sterile hose union

Orifice	C [mm]	Di [mm]	L [mm]	D [mm]	SW1 [mm]	SW2 [mm]	SW3 [mm]	Item no.
DN04	21.90	4.00	40.00	17.80	19.00	8.00	14.00	742 027
DN06	21.90	6.00	40.00	19.80	19.00	10.00	17.00	742 030
DN08	24.50	8.00	42.30	22.00	22.00	11.00	20.00	742 034
DN10	31.20	10.00	49.00	27.70	27.00	14.00	24.00	742 056
DN15	36.50	16.00	52.00	29.70	36.00	21.00	27.00	742 040
DN20	48.30	20.00	65.00	38.60	42.00	22.00	36.00	742 042
DN25	52.00	26.00	77.00	49.50	-	32.00	46.00	742 043
DN32	62.00	32.00	87.70	56.00	-	41.00	54.00	742 046



DIN standard hose connection

Orifice	C [mm]	Di [mm]	L [mm]	D [mm]	Item no.
DN40	67.00	38.00	152.50	79.80	742 048
DN50	80.00	50.00	169.40	92.00	742 050



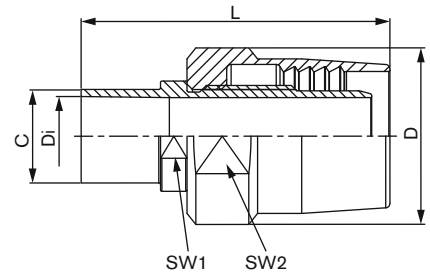
Note: A completely gap-free connection feature can only be given in combination with original BBS silicone hose.

Dimensions [mm], continued

• **Weld end version**

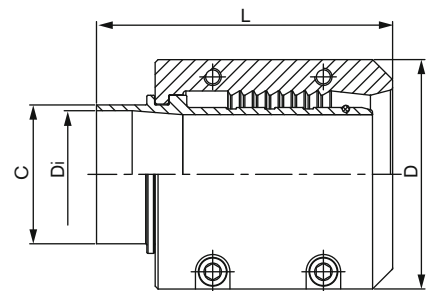
ISO standard hose union with weld end

Orifice	C [mm]	Di [mm]	L [mm]	D [mm]	SW1 [mm]	SW2 [mm]	Item no.
DN08	13.50	10.30	54.00	27.70	14.00	24.00	742 302
DN10	17.20	14.00	61.50	29.70	19.00	27.00	742 304
DN15	21.30	18.10	70.00	38.60	22.00	36.00	742 306
DN20	26.90	23.70	84.00	49.50	32.00	46.00	742 308
DN25	33.70	29.70	96.00	57.00	41.00	55.00	742 309



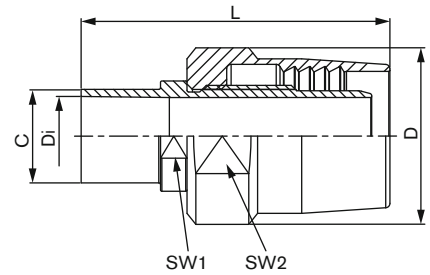
ISO standard hose connection with weld end

Orifice	C [mm]	Di [mm]	L [mm]	D [mm]	Item no.
DN32	42.40	38.40	85.60	74.00	742 310
DN40	48.30	44.30	102.80	79.80	742 311
DN50	60.30	56.30	114.00	92.00	742 312



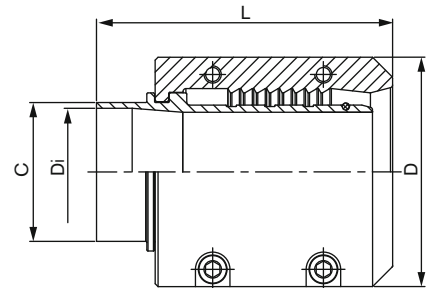
BS-OD standard hose union with weld end

Orifice	C [mm]	Di [mm]	L [mm]	D [mm]	SW1 [mm]	SW2 [mm]	Item no.
DN1/4"	6.35	4,57	42.30	22.00	22.00	17.00	742 313
DN3/8"	9,53	7,75	54.00	27.70	14.00	24.00	742 314
DN1/2"	12.70	9.40	64.00	29.70	32.00	27.00	742 315
DN3/4"	19,05	15,75	78.90	38.60	22.00	36.00	742 316
DN1"	25.40	22.10	95.00	49.50	32.00	46.00	742 317



BS-OD standard hose connection with weld end

Orifice	C [mm]	Di [mm]	L [mm]	D [mm]	Item no.
DN1 1/2"	38.10	34.80	100.80	74.00	742318
DN2"	50.80	47.50	101.80	79.80	742319



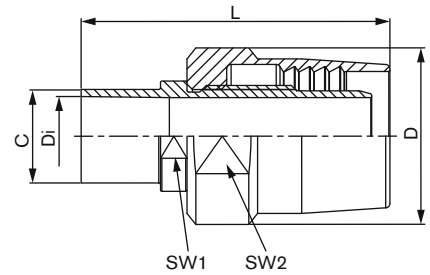
Note: A completely gap-free connection feature can only be given in combination with original BBS silicone hose.

Dimensions [mm], continued

• **Weld end version**

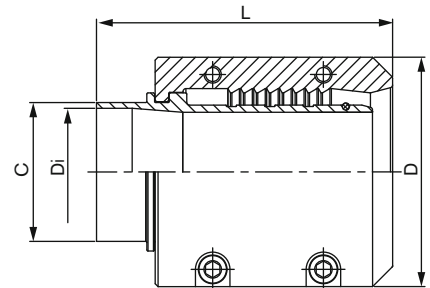
DIN standard hose union with weld end

Orifice	C [mm]	Di [mm]	L [mm]	D [mm]	SW1 [mm]	SW2 [mm]	Item no.
DN08	10.00	8.00	50.00	22.00	13.00	20.00	742 290
DN10	12.00	10.00	54.00	27.70	15.00	24.00	742 292
DN10	13.00	10.00	54.00	27.70	15.00	24.00	742 293
DN15	19.00	16.00	61.50	29.70	21.00	27.00	742 295
DN20	23.00	20.00	73.00	38.60	24.00	36.00	742 296
DN25	29.00	26.00	84.00	49.50	32.00	46.00	743 772
DN32	35.00	32.00	96.00	57.00	41.00	55.00	742 298



DIN standard hose connection with weld end

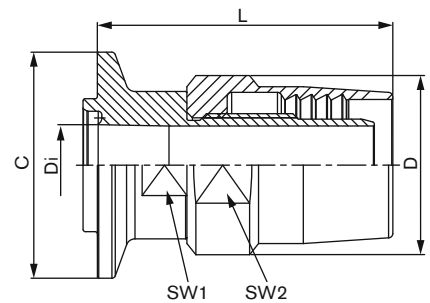
Orifice	C [mm]	Di [mm]	L [mm]	D [mm]	Item no.
DN40	41.00	38.00	98.70	74.00	742 299
DN50	53.00	50.00	114.00	92.00	742 300



• **Quick-connect male version**

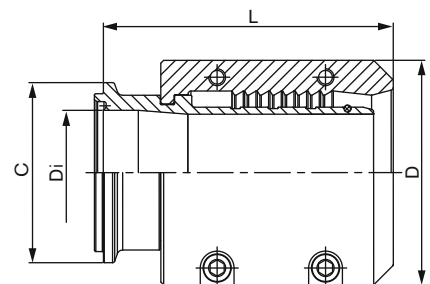
ISO standard hose union with quick-connect male

Orifice	C [mm]	Di [mm]	L [mm]	D [mm]	SW1 [mm]	SW2 [mm]	Item no.
DN08	25.00	10.30	52.00	27.70	17.00	24.00	731 471
DN10	50.50	14.00	52.00	29.70	19.00	27.00	742 534
DN15	50.50	18.10	66.00	38.60	27.00	36.00	742 536
DN20	50.50	23.70	80.50	50.00	27.00	46.00	744 894
DN25	50.50	29.70	97.00	56.00	41.00	54.00	731 485



ISO standard hose connection with quick-connect male

Orifice	C [mm]	Di [mm]	L [mm]	D [mm]	Item no.
DN32	64.00	38.40	110.00	90.00	731 489
DN40	64.00	44.30	130.00	79.80	731 495
DN50	77.50	56.30	146.60	92.00	747 797



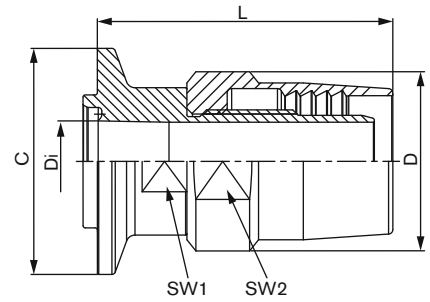
Note: A completely gap-free connection feature can only be given in combination with original BBS silicone hose.

Dimensions [mm], continued

▪ Quick-connect male version

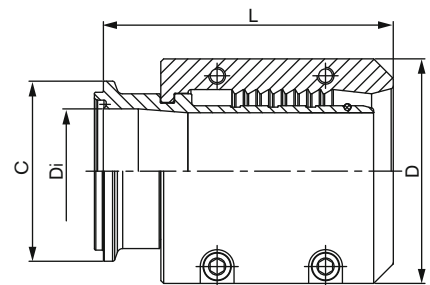
BS-OD standard hose union with quick-connect male

Orifice	C [mm]	Di [mm]	L [mm]	D [mm]	SW1 [mm]	SW2 [mm]	Item no.
DN1/4"	25.00	4,57	38.40	19.80	14.00	17.00	731 501
DN3/8"	25.00	7,75	39.50	22.00	14.00	20.00	747 826
DN1/2"	25.00	9.40	50.50	29.70	19.00	27.00	731 503
DN3/4"	50.50	15,75	66.00	40.00	27.00	36.00	731 505
DN1"	50.50	22.10	80.50	49.50	32.00	46.00	731 510



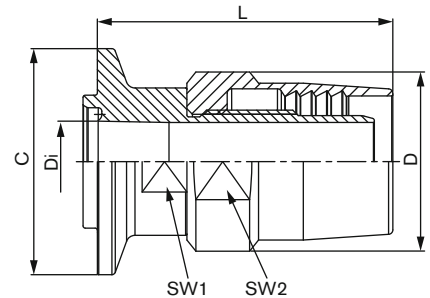
BS-OD standard hose connection with quick-connect male

Orifice	C [mm]	Di [mm]	L [mm]	D [mm]	Item no.
DN1 1/2"	50.50	34.80	94.10	74.00	731 512
DN2"	64.00	47.50	102.8	79.80	731 514



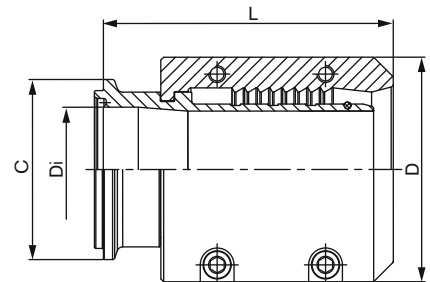
DIN standard hose union with quick-connect male

Orifice	C [mm]	Di [mm]	L [mm]	D [mm]	SW1 [mm]	SW2 [mm]	Item no.
DN04	25.00	4.00	36,25	17.80	10.00	14.00	731 524
DN06	25.00	6.00	38.50	19.80	14.00	17.00	731 526
DN08	25.00	8.00	39.50	22.00	11.00	20.00	731 528
DN10	25.00	10.00	48.80	27.70	17.00	24.00	731 534
DN15	50.50	16.00	52.00	29.70	21.00	27.00	744 899
DN20	50.50	20.00	63.80	38.60	22.00	36.00	731 535
DN25	50.50	26.00	78.50	49.50	32.00	46.00	731 537
DN32	64.00	32.00	90.00	56.00	41.00	54.00	744 900



DIN standard hose connection with quick-connect male

Orifice	C [mm]	Di [mm]	L [mm]	D [mm]	Item no.
DN40	50.50	38.00	89.70	74.00	731 539
DN50	64.00	50.00	112.50	92.00	731 541



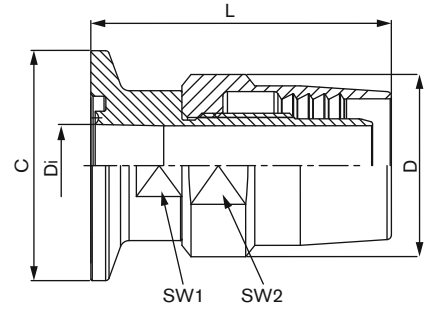
Note: A completely gap-free connection feature can only be given in combination with original BBS silicone hose.

Dimensions [mm], continued

▪ Quick-connect female version

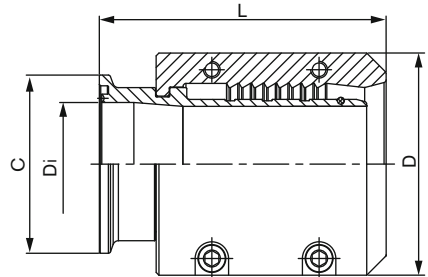
ISO standard hose union with quick-connect female

Orifice	C [mm]	Di [mm]	L [mm]	D [mm]	SW1 [mm]	SW2 [mm]	Item no.
DN08	25.00	10.30	48.90	27.70	17.00	24.00	742 543
DN10	50.50	14.00	52.00	29.70	19.00	27.00	742 549
DN15	50.50	18.10	66.00	38.60	27.00	36.00	742 551
DN20	50.50	23.70	80.50	49.50	32.00	46.00	744 902
DN25	50.50	29.70	97.00	57.00	41.00	55.00	742 554



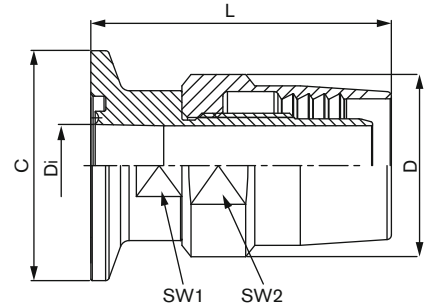
ISO standard hose connection with quick-connect female

Orifice	C [mm]	Di [mm]	L [mm]	D [mm]	Item no.
DN32	64.00	38.40	85.70	75.00	742 558
DN40	64.00	44.30	103.40	79.80	742 561
DN50	77.50	56.30	122.50	92.00	742 563



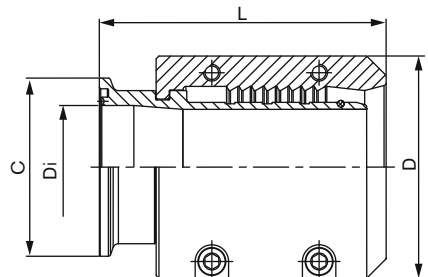
BS-OD standard hose union with quick-connect female

Orifice	C [mm]	Di [mm]	L [mm]	D [mm]	SW1 [mm]	SW2 [mm]	Item no.
DN1/4"	25.00	4.57	38.40	19.80	14.00	17.00	742 564
DN3/8"	25.00	7,75	39.50	22.00	11.00	20.00	744 903
DN1/2"	25.00	9.40	52.00	29.70	17.00	27.00	742 566
DN3/4"	25.00	15.75	65.80	38.60	22.00	36.00	742 567
DN1"	50.50	22.10	77.50	49.50	32.00	46.00	742 569



BS-OD standard hose connection with quick-connect female

Orifice	C [mm]	Di [mm]	L [mm]	D [mm]	Item no.
DN1 1/2"	50.50	34.80	94.30	74.00	742 570
DN2"	64.00	47.50	102.80	79.80	742 571



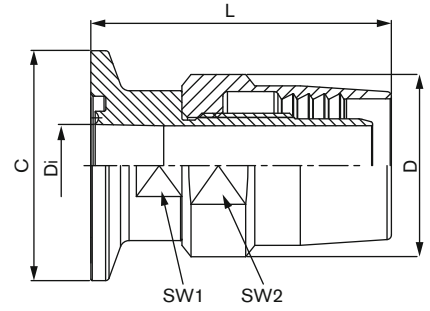
Note: A completely gap-free connection feature can only be given in combination with original BBS silicone hose.

Dimensions [mm], continued

▪ Quick-connect female version

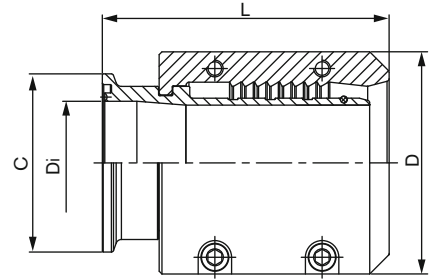
DIN standard hose union with quick-connect male

Orifice	C [mm]	Di [mm]	L [mm]	D [mm]	SW1 [mm]	SW2 [mm]	Item no.
DN08	25.00	8.00	39.50	22.00	17.00	20.00	742 576
DN10	25.00	10.00	48.80	27.70	17.00	24.00	742 578
DN15	50.50	16.00	52.00	29.70	21.00	27.00	744 908
DN20	50.50	20.00	63.80	38.60	22.00	36.00	742 580
DN25	50.5	26.00	78.50	49.50	32.00	46.00	742 581
DN32	64.00	32.00	90.00	56.00	41.00	54.00	744 909



DIN standard hose connection with quick-connect male

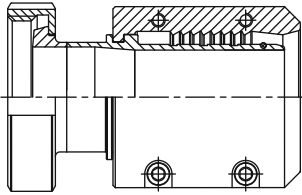
Orifice	C [mm]	Di [mm]	L [mm]	D [mm]	Item no.
DN40	50.50	38.00	89.70	74.00	742 582
DN50	64.00	50.00	122.70	92.00	742 583



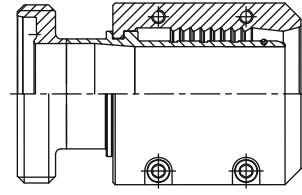
Note: A completely gap-free connection feature can only be given in combination with original BBS silicone hose.

Following versions available on request

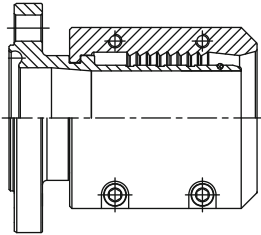
**Hose connection acc. to
DIN 11864-1 (Male ferrule)**



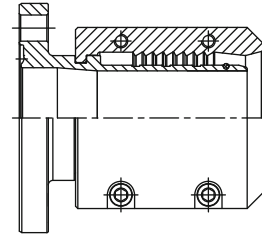
**Hose connection acc. to
DIN 11864-1 (Female ferrule threaded)**



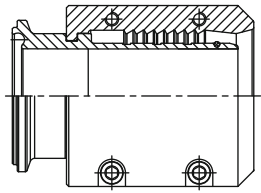
**Hose connection acc. to
DIN 11864-2 Flange (Female)**



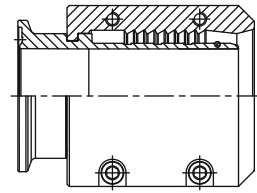
**Hose connection acc. to
DIN 11864-2 Flange (Male)**



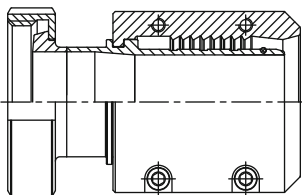
**Hose connection acc. to
DIN 11864-3 Flange (Female)**



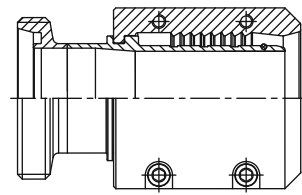
**Hose connection acc. to
DIN 11864-3 (Male ferrule)**



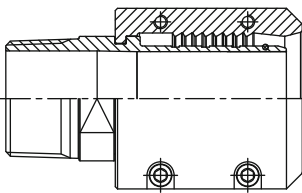
**Hose connection acc. to
DIN 11851 (Male ferrule)**



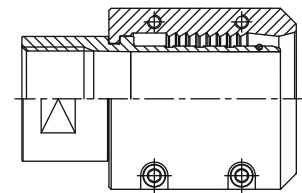
**Hose connection acc. to
DIN 11851 (Female ferrule threaded)**



**Hose connection with external thread
(Gas pipe thread conical acc. to ISO 7-1)**



**Hose connection with internal thread
(Gas pipe thread cyl. acc. to ISO 228-1)**



Reductions and increments available on request.

Hose set Type 04 – request for quotation

Note
You can fill out the fields directly in the PDF file before printing out the form.

▶ Please fill out and send to your nearest Bürkert office* with your inquiry or order

Company:	Contact person:
Customer no.:	Department:
Address:	Tel./Fax.:
Postcode/town:	E-Mail:

Quantity Required delivery date

Specification key for silicone hose

Example

TCS
BS
1½"
BN2
HI
08
1875
J
TCS
BS
1½"
2

Code no.

01	02	03	04	05	06	07	08	09	10	11	12
<input style="width: 100%;" type="text"/>	<input style="width: 100%;" type="text"/>	<input style="width: 100%;" type="text"/>	<input style="width: 100%;" type="text"/>	<input style="width: 100%;" type="text"/>	<input style="width: 100%;" type="text"/>	<input style="width: 100%;" type="text"/>	<input style="width: 100%;" type="text"/>	<input style="width: 100%;" type="text"/>	<input style="width: 100%;" type="text"/>	<input style="width: 100%;" type="text"/>	<input style="width: 100%;" type="text"/>

Specification key

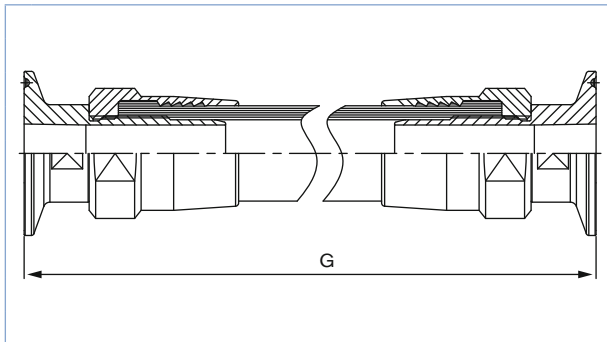
(Please make a choice)

01 /	Connection Type 1 /
09	Connection Type 2
TCS	Clamp standard
SVS	Sterile connection standard
QCM	Quick-connect Male
QCF	Quick-connect Female
ACM	Aseptic Clamp 11864 Male
ACF	Aseptic Clamp 11864 Female
SWO	Weld end Orbital
02 /	Connection Size 1 /
10	Connection Size 2
ISO	ISO dimension
DIN	DIN dimension
BS	BS-OD
03 /	Orifice 1
11	Orifice 2
See *	Nominal diameter

04	Wetted parts material
BN2	1.4435
DIN no.	Other
05	Hose Type
HH	Without reinforcement
HI	Glass silk reinforced
HJ	Aramid reinforced
HK	Double aramid reinforced
HL	Stainless steel reinforced
06	Wetted parts surface
08	Ra < 0.8 µm
00	Other

07	Hose size [mm]
See **	Size G
08	Label
(Please insert required text into comment box)	
J	with hose tag
N	without hose tag
12	Certificate
0	None
2	FDA/USP/BfR
3	Inspection certificate 3.1
4	Pressure test
5	FDA/USP/BfR and 3.1
6	FDA/USP/BfR and 3.1 and Pressure test
7	FDA/USP/BfR and Pressure test

Please : * fill in the desired nominal diameter
** fill in the desired size (see drawing below)



Comments/sketch

NOTE: For other requests please contact your nearest Bürkert office

To find your nearest Bürkert office, click on the orange box →

www.burkert.com

In case of special application conditions, please consult for advice.

Subject to alterations
© Christian Bürkert GmbH & Co. KG

1609/6_EU-en_00895166