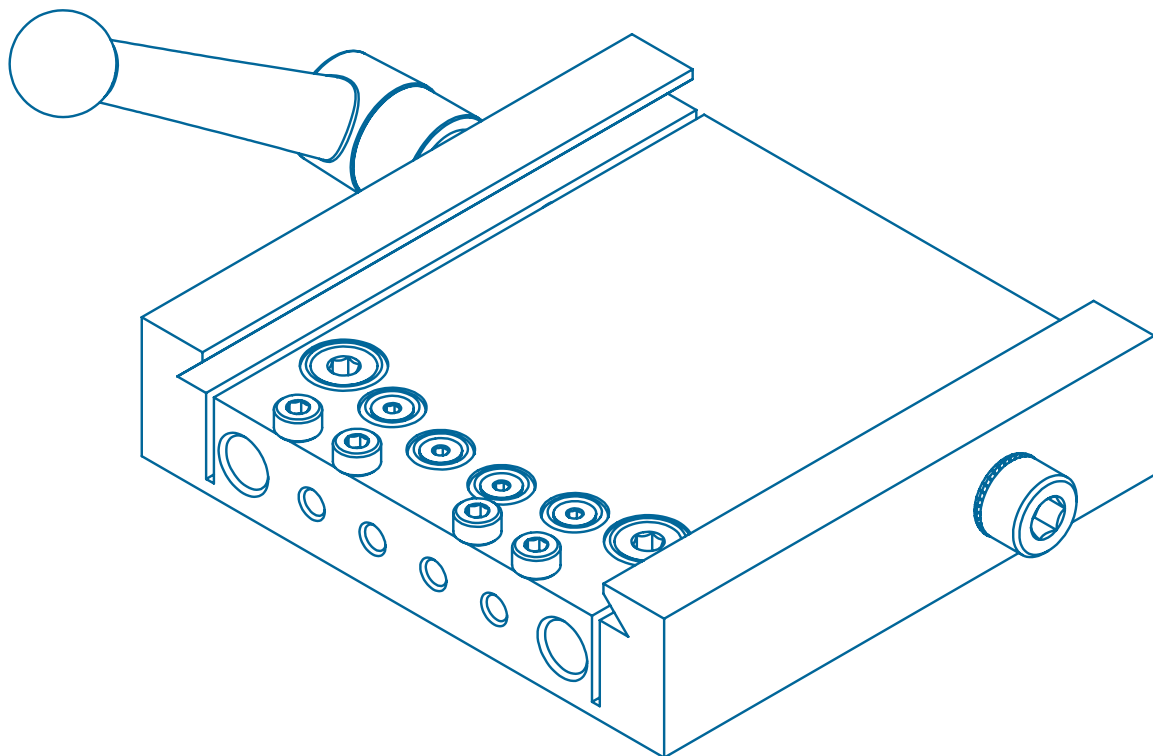
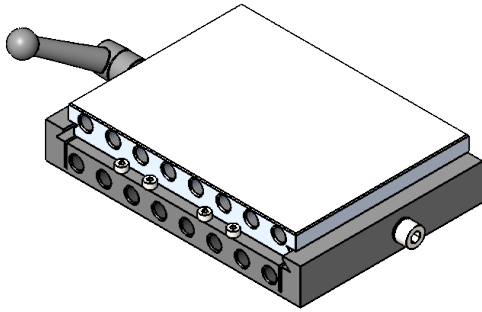


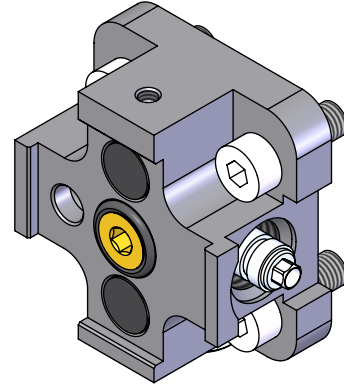
Tooling

Section 17

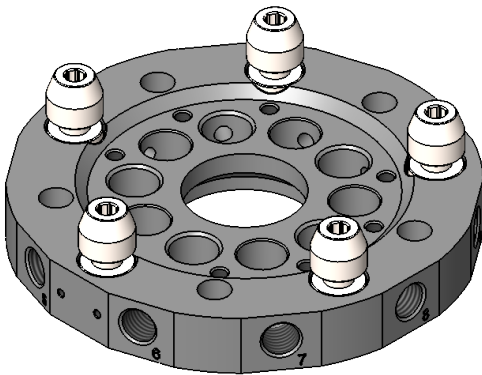




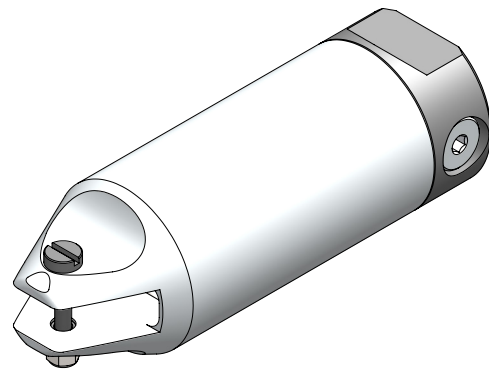
Quick Change Slides



Robot Quick Change Pump



Quick Changers



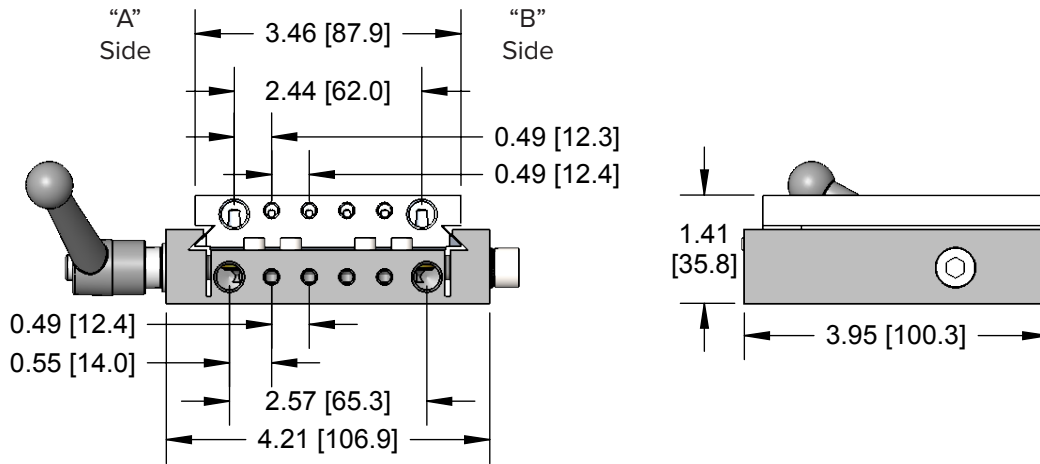
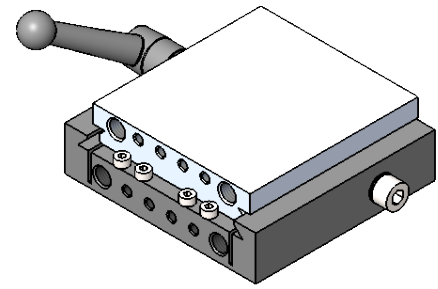
End of Arm Tooling

QCS: Quick Change Slides	3-5
RQCP: Robot Quick Change Pump	6-7
Quick Changers	8-9
End of Arm Tooling	10-32

Quick Change Slides

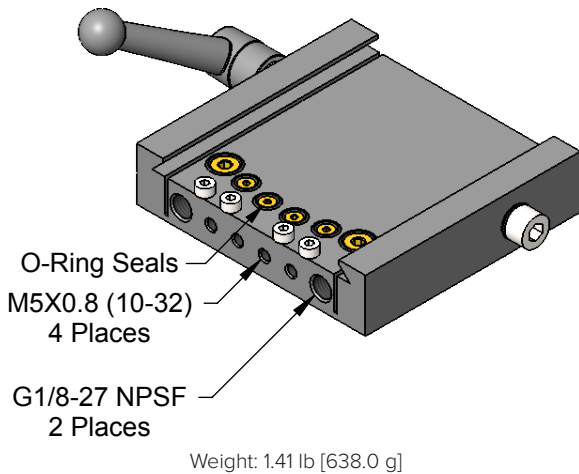
QCS provides a cost-effective method to increase productivity by virtually eliminating end-of-arm tool change-over time. With QCS, a robot can be re-tooled for a different part and back in service within a few minutes. Compressed air and vacuum lines are automatically connected as the tool plate mates with the clamp base on the robot arm. The clamp handle can be indexed to a convenient position in 30° increments.

Please contact us for details about custom layouts.

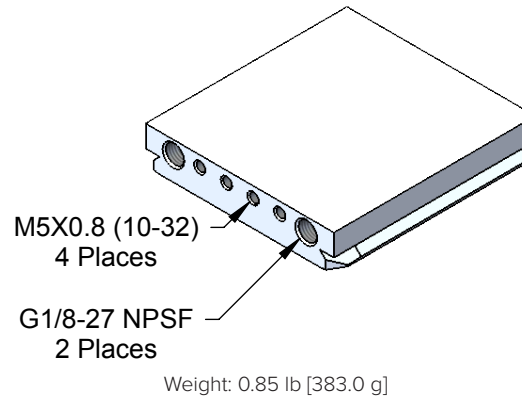


Robot Clamp Base

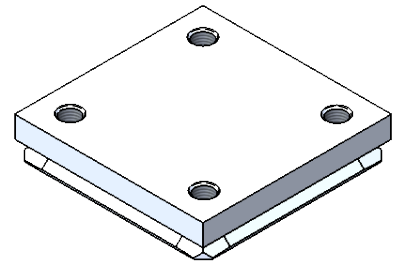
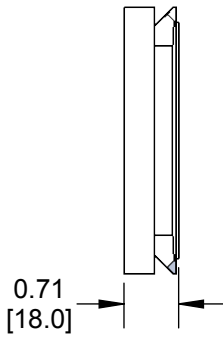
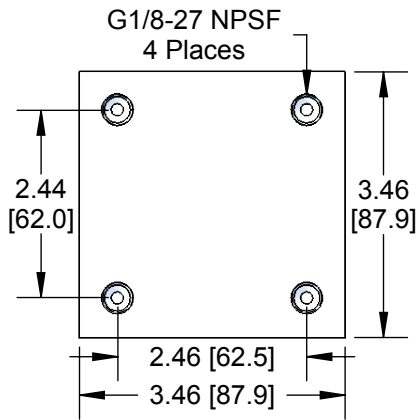
Handle Location	
QCS-100B-	A
A	Handle on "A" Side
B	Handle on "B" Side



Tool Plate: QCS-100T



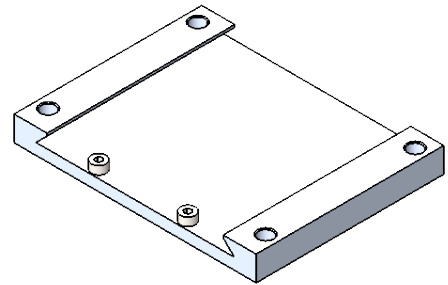
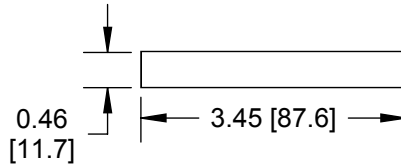
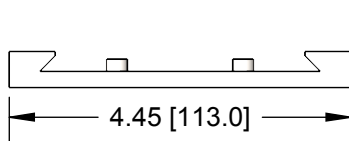
Tool Plate: QCS-100TD



Weight: 0.77 lb [347.0 g]

Tool Park: QCS-100P

An optional Tool Park provides convenient storage and protection for end-of-arm tools when not in service. One Tool Park per Tool Plate is required for efficient operation.

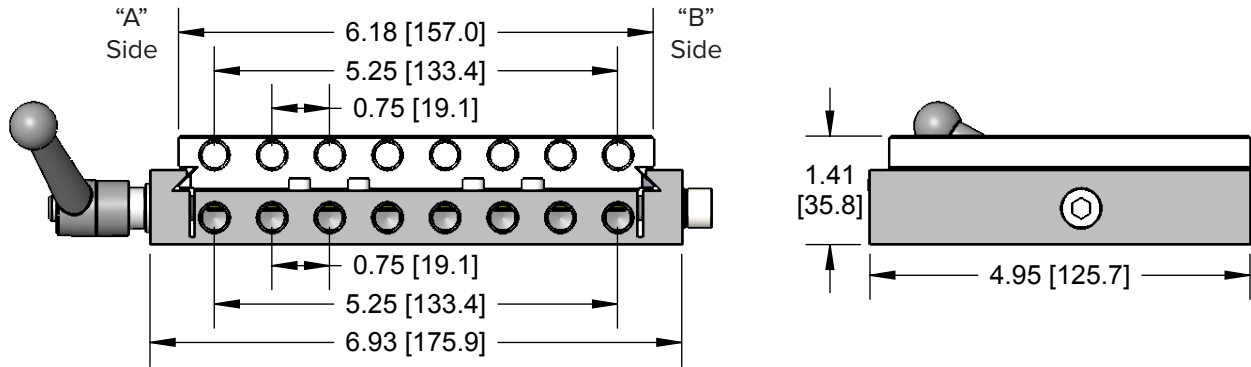
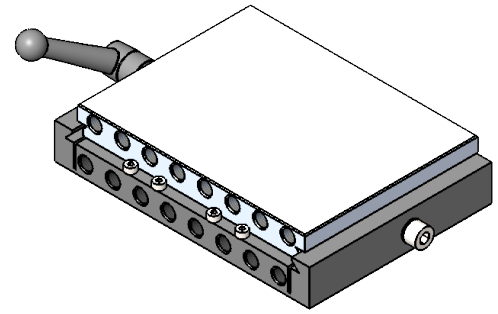


Weight: 0.39 lb [178.0 g]

Quick Change Slides

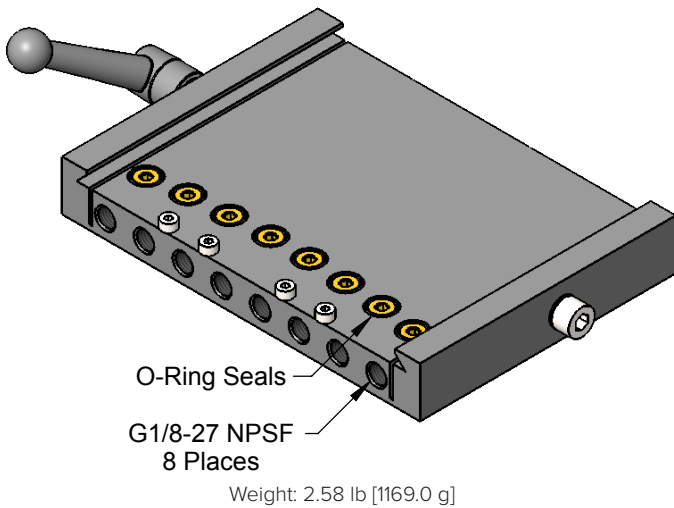
QCS provides a cost-effective method to increase productivity by virtually eliminating end-of-arm tool change-over time. With QCS, a robot can be re-tooled for a different part and back in service within a few minutes. Compressed air and vacuum lines are automatically connected as the tool plate mates with the clamp base on the robot arm. The clamp handle can be indexed to a convenient position in 30° increments.

Please contact us for details about custom layouts.

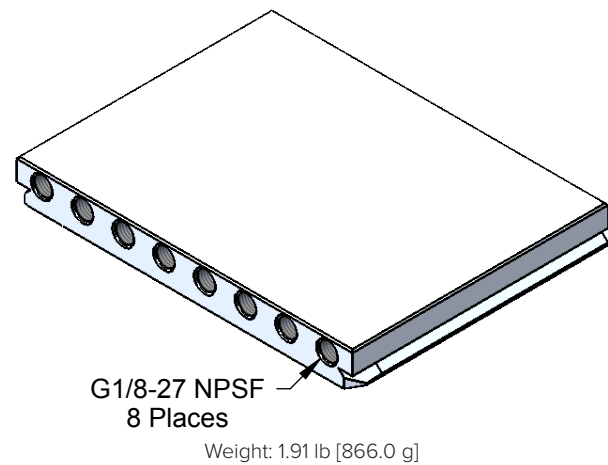


Robot Clamp Base

Handle Location	
QCS-140B-	A
A	Handle on "A" Side
B	Handle on "B" Side

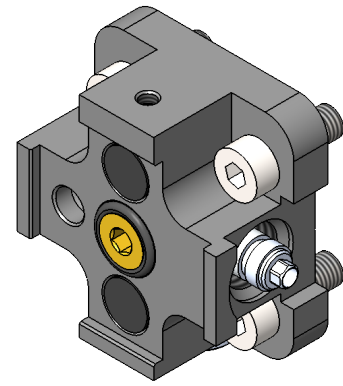


Tool Plate: QCS-140T



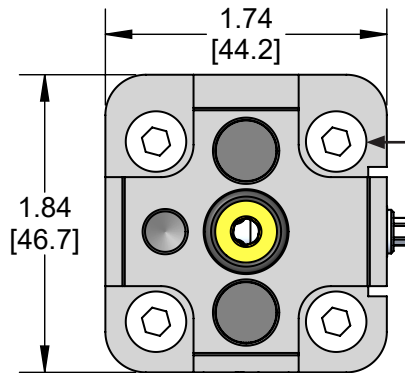
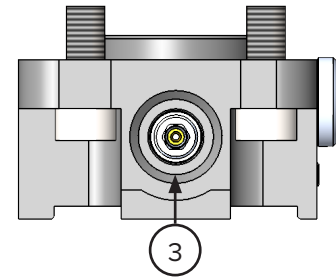
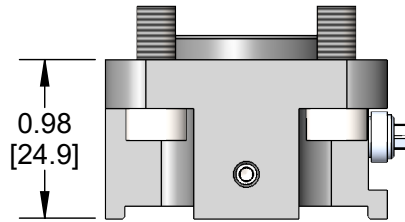
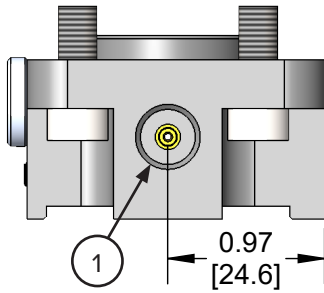
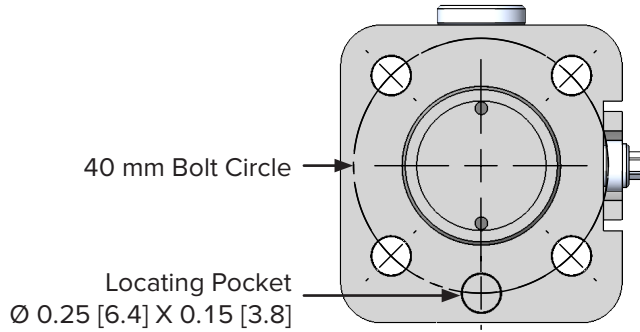
RQCP: Robot Quick Change Pump

Vacuum pump fits Flexpicker and other robots with four 6mm tapped interface on 40 mm bolt circle. Tool is magnetically coupled to pump for fast replacement for either maintenance or for changeover to manipulate a different part. Handles up to 4.4 lbs (2kg) load. High vacuum flow venturis allow fast evacuation and the purge options quickly dissipate vacuum to optimize cycle times.

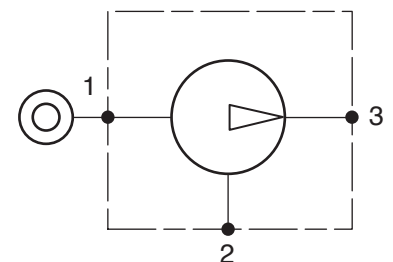
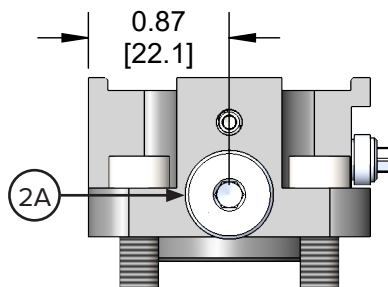


Weight: 3.70 oz [104.9 g]

Venturi Series		Purge Option	
RQCP-	10L	A	
08L	ER08L	(Blank)	None
10L	ER10L	-LP	Limited Pressure Purge
		-PP	Positive Pressure Purge



M6 Screws Included (Qty 4)

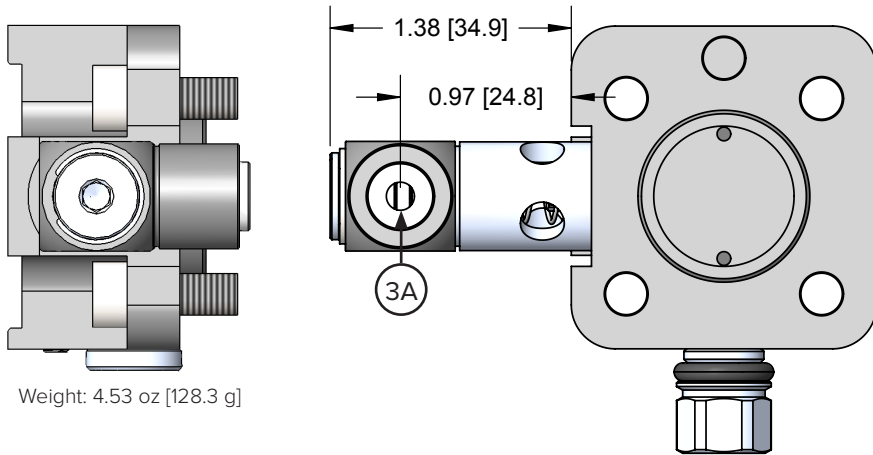


Code	Function	Threads
1	Air Supply	G 1/8 NPSF
2A	Vacuum - Auxiliary	G 1/8 NPSF
3	Exhaust	G 1/4

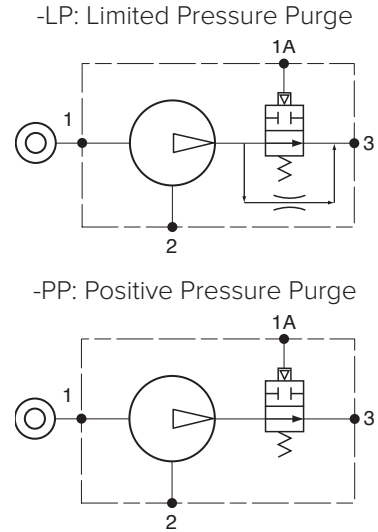
RQCP: Purge Options

Purge option provides faster part placement by quickly dissipating residual vacuum which is especially useful when using bellows-style vacuum cups. When placing a part, the air supply to the vacuum pump is left on and a compressed air signal to the Purge unit blocks off the pump exhaust to redirect venturi air into the vacuum tool to quickly dissipate any residual vacuum.

The purge should remain on until the suction cups have separated from the part that was placed then for a brief additional time to blow out any ingested debris. VSP-18 Switch protector is highly recommended when using both a Purge option and a monitoring vacuum sensor to prevent overpressure damage.

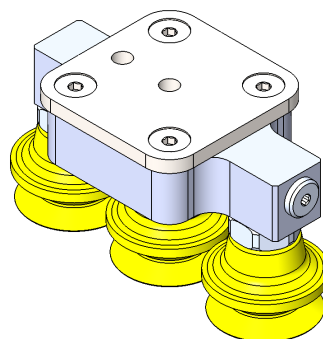
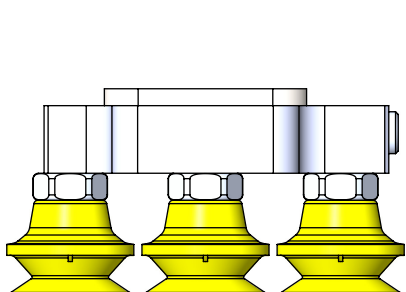
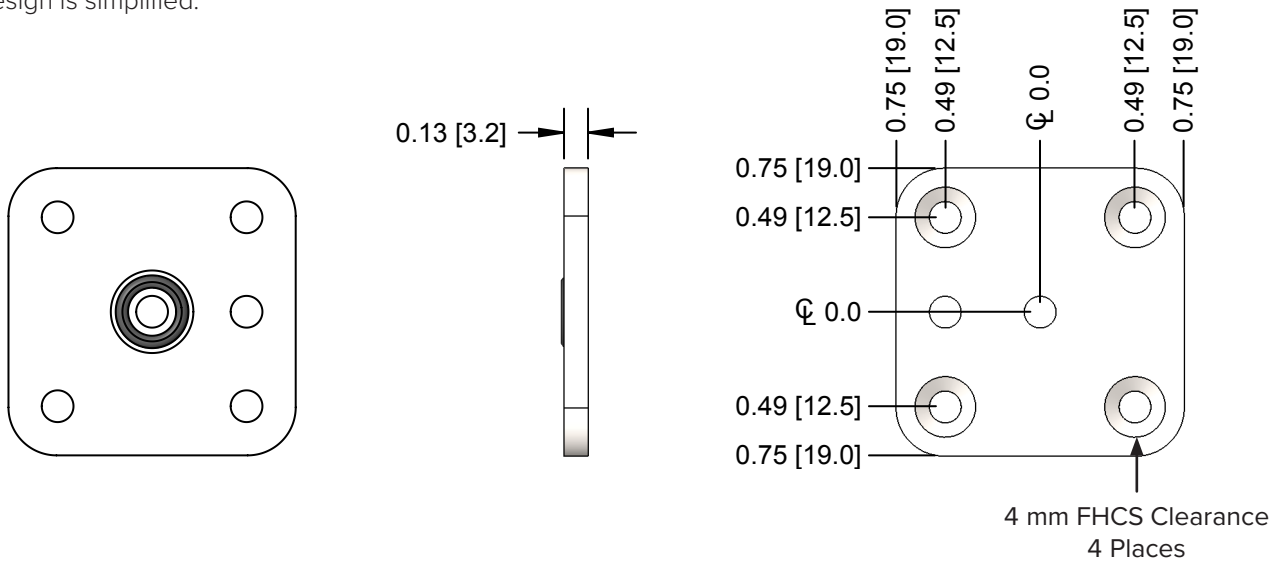


Weight: 4.53 oz [128.3 g]

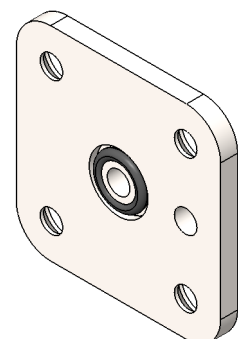


RQCP-P: Tool Plate

Precision steel tool plate is used to mount and register tooling to the RQCP pump. A port seal passes pump vacuum into the tool so that tool design is simplified.



Example (Not For Sale)

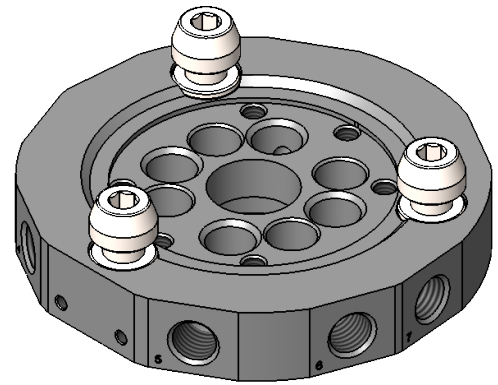


Weight: 1.08 oz [30.5 g]

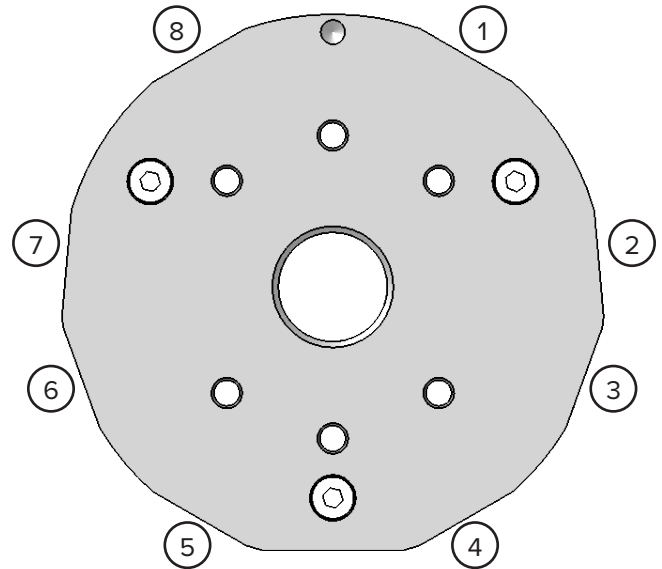
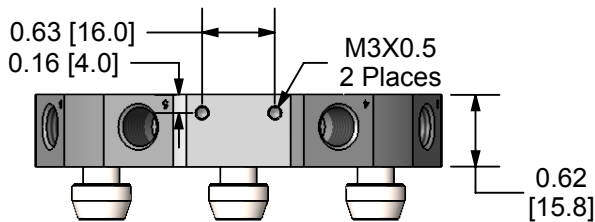
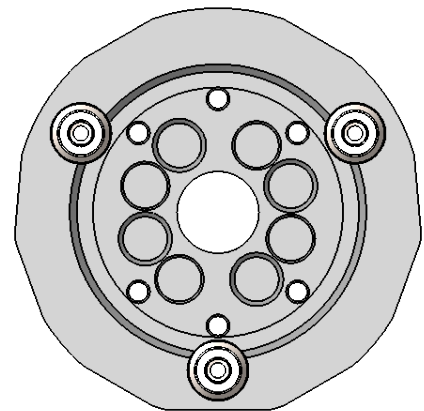
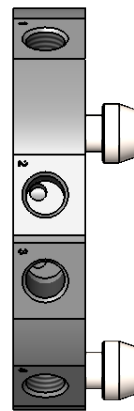
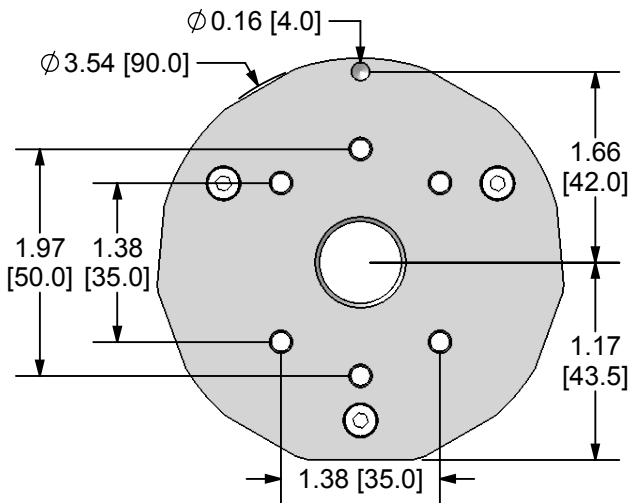
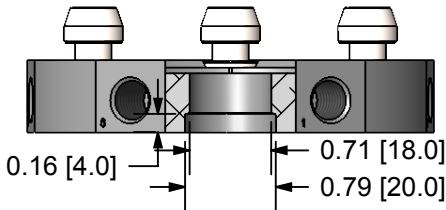
QC90-B: Quick Changer Base

Tool-side EOAT Changer is typically used on injection molding machines to handle tools weighing up to 25 lbs. Mates with 90mm robot-side changer made by others.

G 1/8 NPSF Connections (Qty 8)



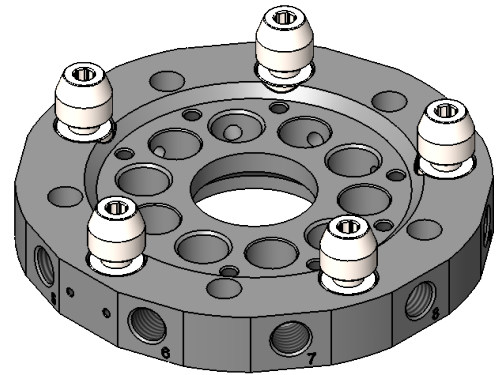
Weight: 7.90 oz [224.0 g]



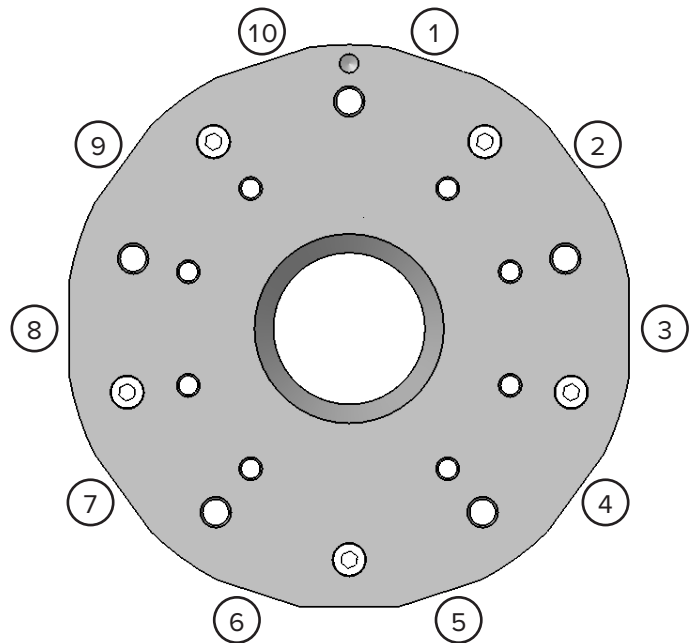
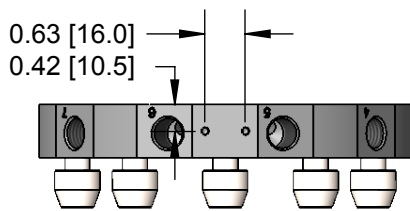
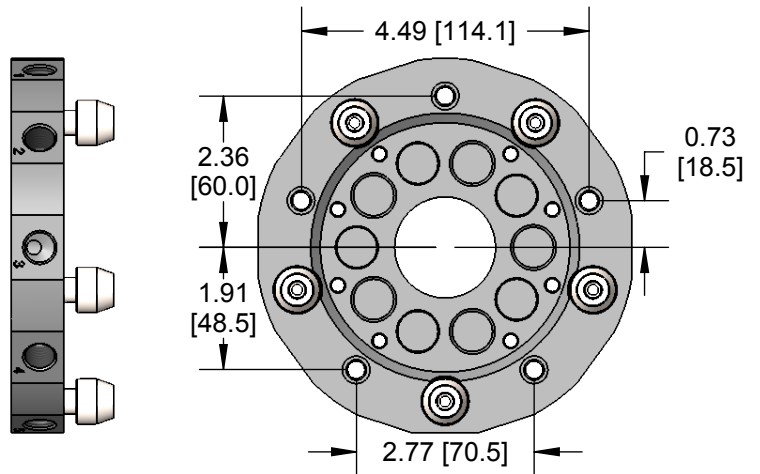
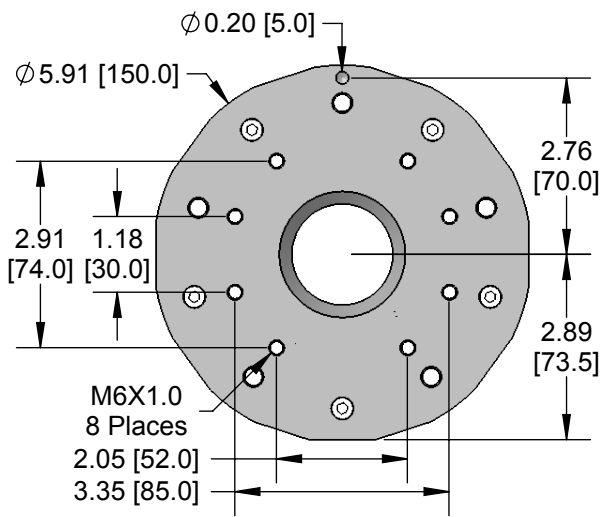
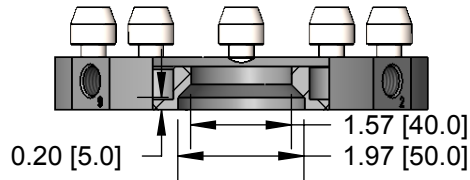
QC150-B: Quick Changer Base

Tool-side EOAT Changer is typically used on injection molding machines to handle tools weighing up to 65 lbs. Mates with 150mm robot-side changer made by others.

G 1/4 Connections (Qty 10)

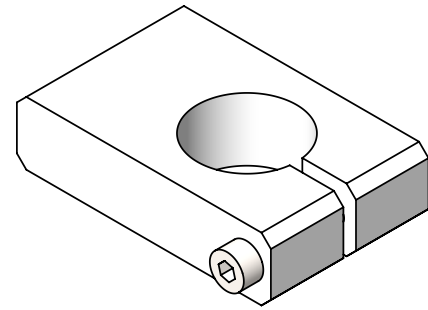


Weight: 29.69 oz [841.6 g]

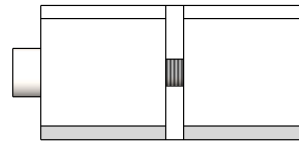
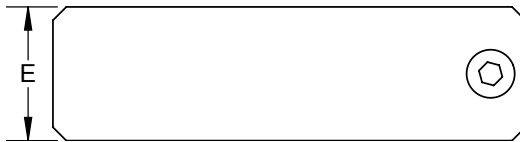
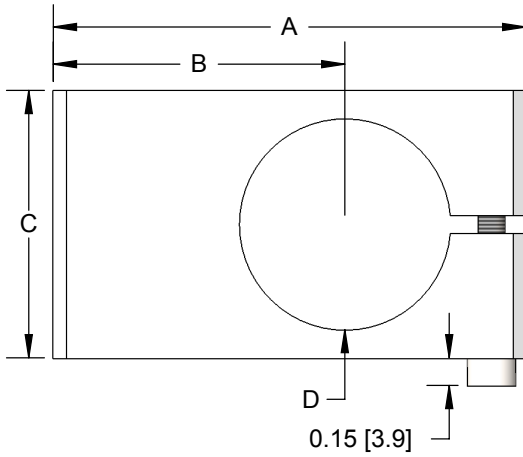


Edge Mounts

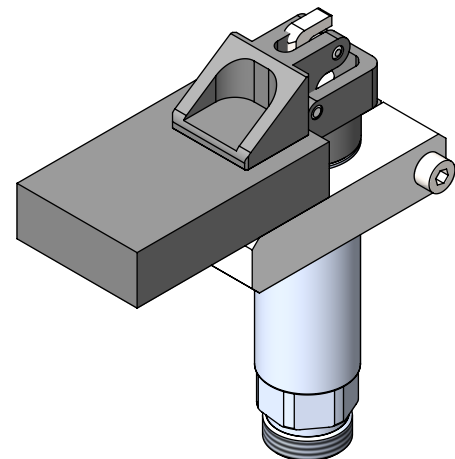
EDCO Edge Clamps are made out of Delrin and are designed for use with the EDCO Finger Grippers, acting as a stop for the part being gripped.



Tube Size		D
ANF	20	
20	20 mm Tube	
30	30 mm Tube	



	A in [mm]	B in [mm]	C in [mm]	D in [mm]	E in [mm]	Weight oz [g]
ANF20D	2.02 [51.2]	1.20 [30.5]	1.25 [31.8]	0.79 [20.0]	0.50 [12.7]	0.91 [25.8]
ANF30D	2.65 [67.3]	1.64 [41.5]	1.50 [38.1]	1.18 [30.0]	0.75 [19.1]	1.83 [51.8]



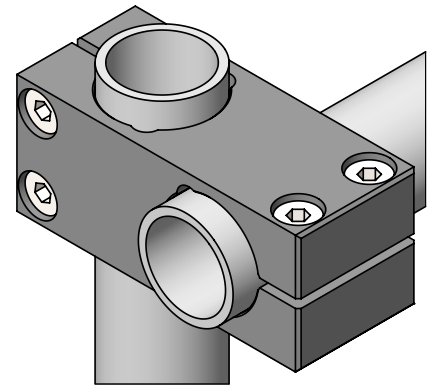
Example: ANF20D w/ GRF20-95

Cross Clamp Blocks

EDCO USA Cross Clamp Blocks are provided in a number of sizes to easily help you to construct the needed structure for your system. The multiple sizes allow for many different configurations of tubing of varying sizes.

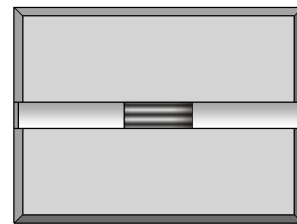
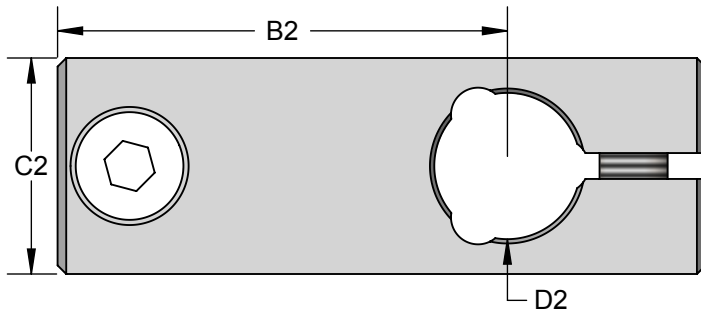
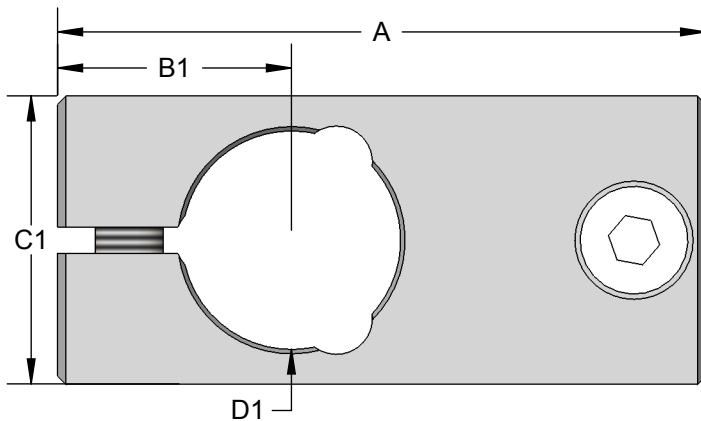
When building part numbers, Tube Ø 1 will always be the larger diameter.

Example: CLM7550, CLM1050, CLM1075



Example: Tubing not for sale.

	Tube Ø 1	Tube Ø 2
CLM	75	50
50	1/2" Tube	50 1/2" Tube
75	3/4" Tube	75 3/4" Tube
10	1" Tube	10 1" Tube



	A in [mm]	B1 in [mm]	C1 in [mm]	D1 in [mm]	B2 in [mm]	C2 in [mm]	D2 in [mm]	Weight oz [g]
CLM5050*	2.00 [50.8]	0.69 [17.5]	0.75 [19.1]	0.51 [12.9]	1.31 [33.4]	0.75 [19.1]	0.51 [12.9]	1.39 [39.5]
CLM7550	2.25 [57.2]	0.69 [17.5]	0.75 [19.1]	0.51 [12.9]	1.44 [36.5]	1.00 [25.4]	0.76 [19.3]	1.87 [53.1]
CLM7575	2.50 [63.5]	0.81 [20.7]	1.00 [25.4]	0.76 [19.3]	1.69 [42.9]	1.00 [25.4]	0.76 [19.3]	2.57 [72.9]
CLM1050	2.50 [63.5]	0.69 [17.5]	0.75 [19.1]	0.51 [12.9]	1.56 [39.7]	1.25 [31.8]	1.01 [25.6]	2.37 [67.2]
CLM1075	2.88 [73.0]	0.88 [22.2]	1.00 [25.4]	0.76 [19.3]	1.88 [47.6]	1.25 [31.8]	1.01 [25.6]	3.55 [100.6]
CLM1010	3.00 [76.2]	0.94 [23.8]	1.25 [31.8]	1.01 [25.6]	2.06 [52.4]	1.25 [31.8]	1.01 [25.6]	4.65 [131.7]

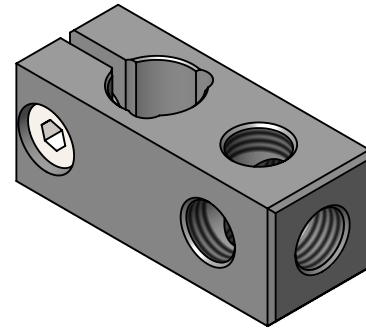
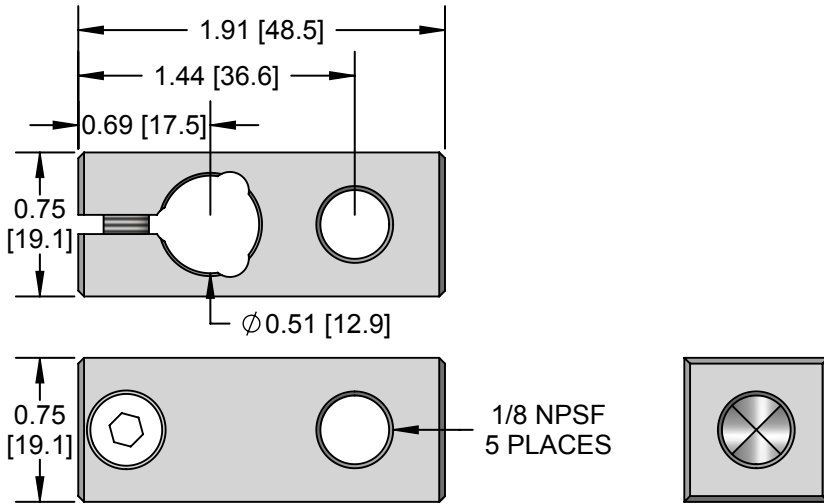
*Screw heads protrude by approximately 0.07 in [1.8 mm].

Clamp Mount Blocks

EDCO USA Clamp Mount Blocks come with a tubing clamp on one end and several 1/8" NPSF connections on the other.

CM505

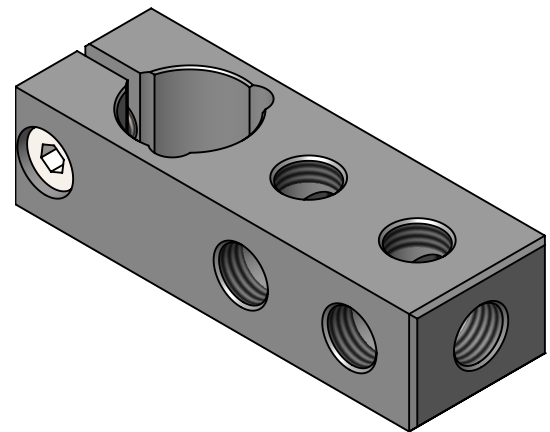
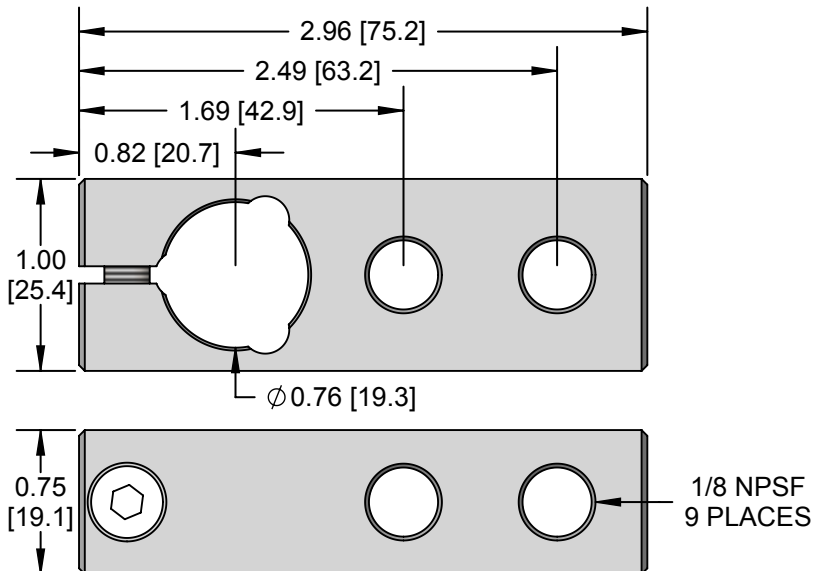
1/2" Tube Clamp with 1/8 NPSF Connections (Qty 5)



Weight: 1.23 oz [35.0 g]

CM759

3/4" Tube Clamp with 1/8 NPSF Connections (Qty 9)

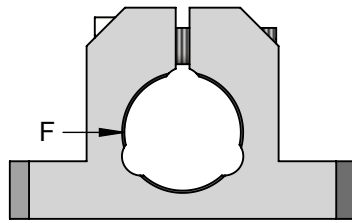
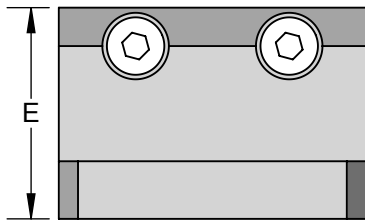
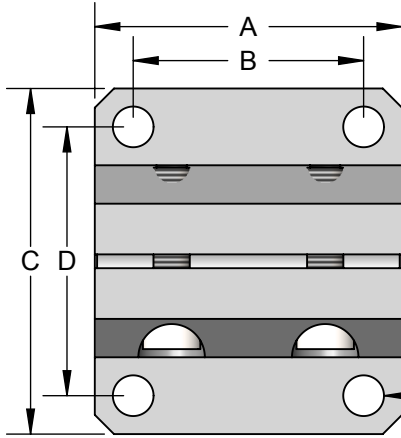
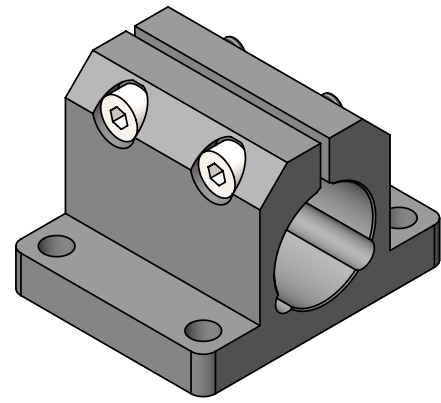


Weight: 2.48 oz [70.2 g]

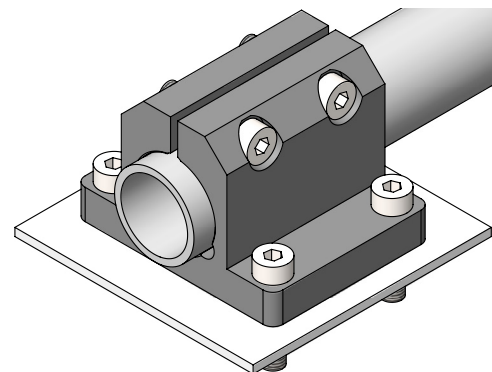
Flanged Clamps (Horizontal)

Horizontal Flanged Clamps give the base needed to build your end of arm tooling.

Tube Ø	
FCH	100
75	3/4" Tube
75L	3/4" Tube
100	1" Tube



	A in [mm]	B in [mm]	C in [mm]	D in [mm]	E in [mm]	F in [mm]	Weight oz [g]
FCH75	2.00 [50.8]	1.50 [38.1]	2.25 [57.2]	1.75 [44.5]	1.38 [34.9]	0.76 [19.3]	4.95 [140.3]
FCH75L	2.25 [57.2]	1.75 [44.5]	2.25 [57.2]	1.75 [44.5]	1.38 [34.9]	0.76 [19.3]	5.50 [156.0]
FCH100	2.00 [50.8]	1.50 [38.1]	2.49 [63.2]	2.00 [50.8]	1.68 [42.7]	0.76 [19.3]	5.56 [157.6]

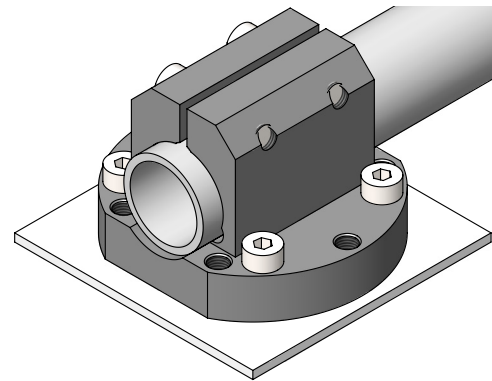


Example (Not For Sale)

Flanged Clamps (Horizontal, Round)

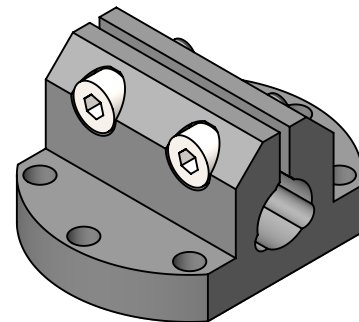
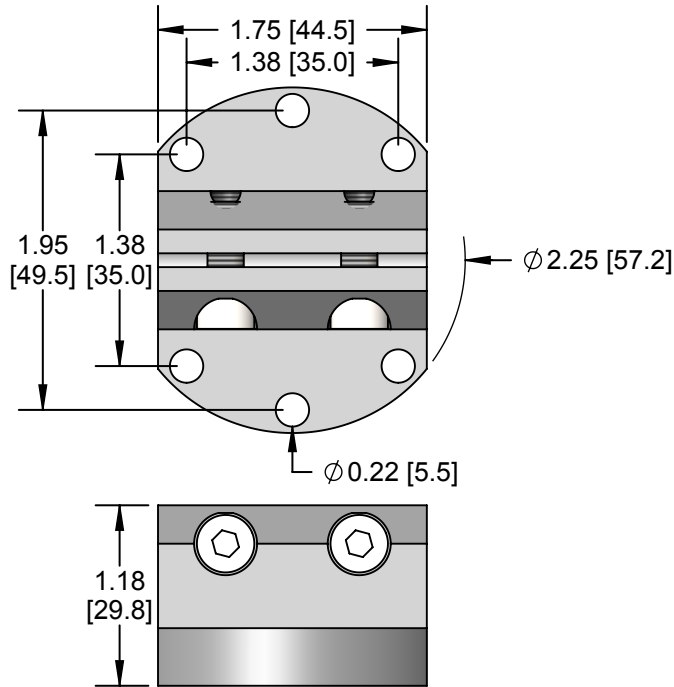
Horizontal Flanged Clamps give the base needed to build your end of arm tooling. The round clamps provide the same function with a rounded base.

Tube Ø		
FCH	50	R
50	1/2" Tube	
75	3/4" Tube	
100	1" Tube	

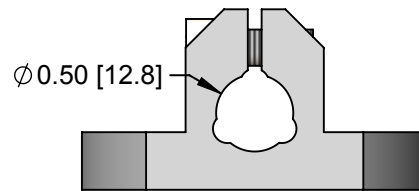


Example (Not For Sale)

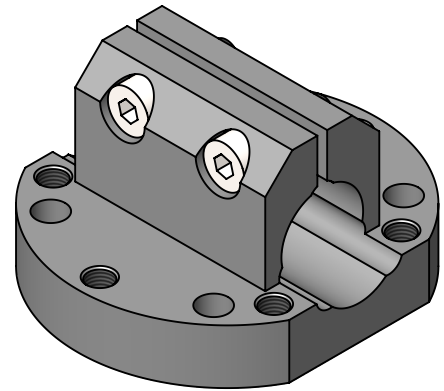
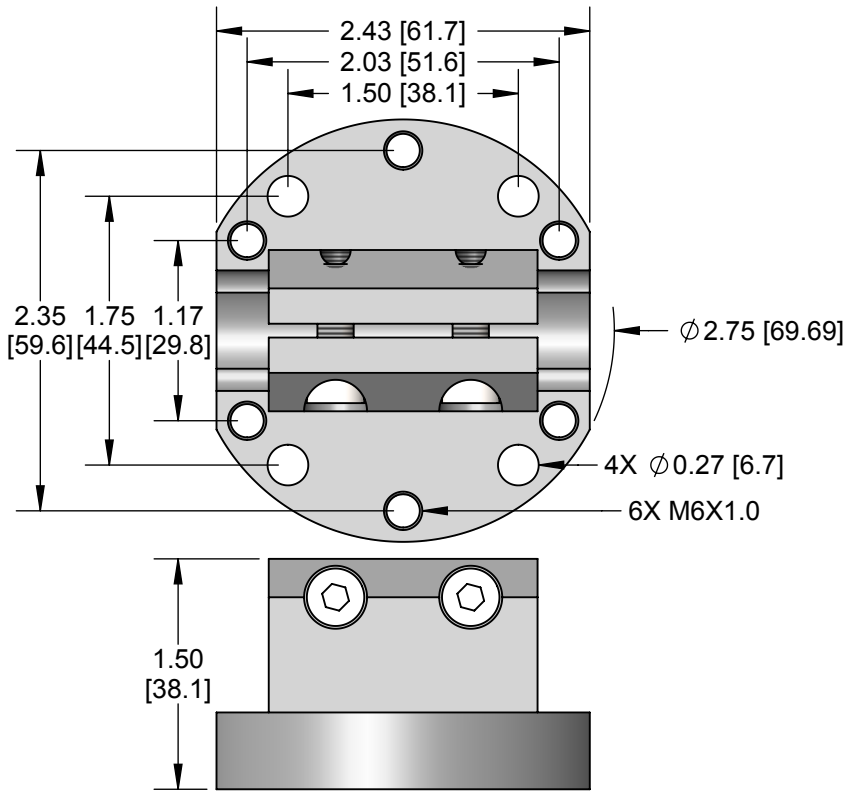
FCH50R: Flanged Clamp (Horizontal, Round)



Weight: 3.31 oz [93.8 g]

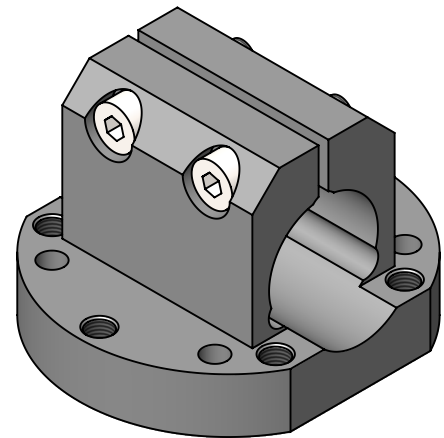
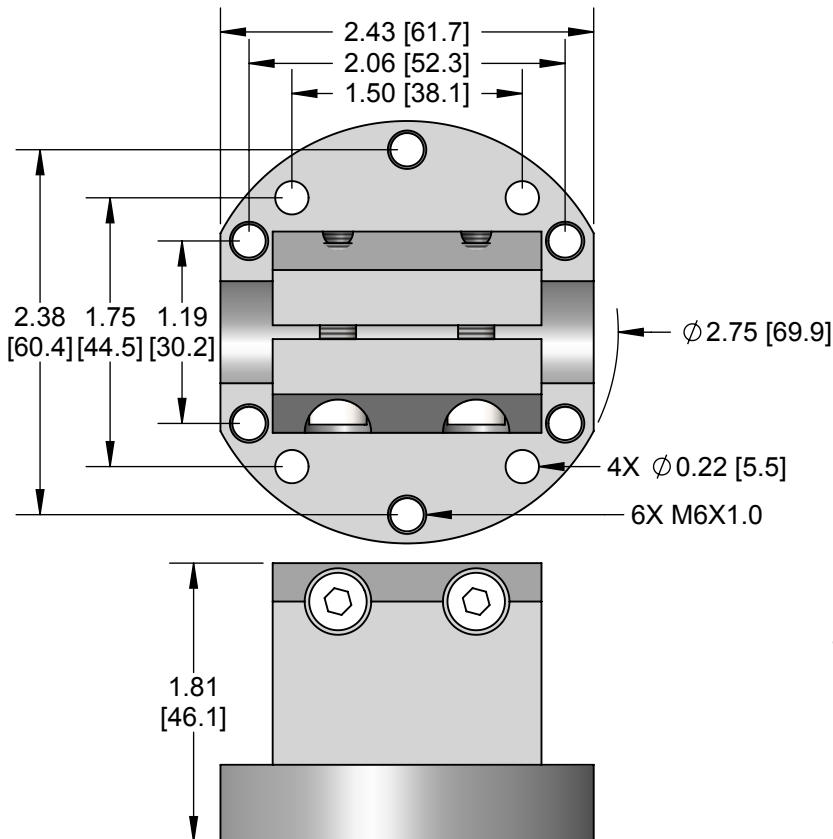


FCH75R : Flanged Clamp (Horizontal, Round)



Weight: 5.56 oz [157.6 g]

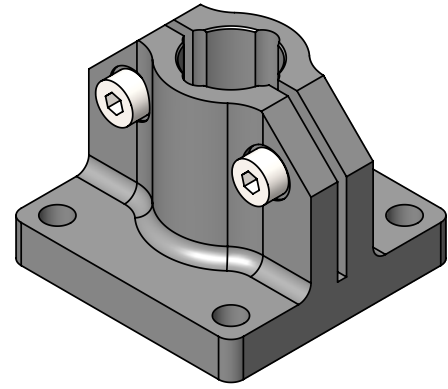
FCH100R : Flanged Clamp (Horizontal, Round)



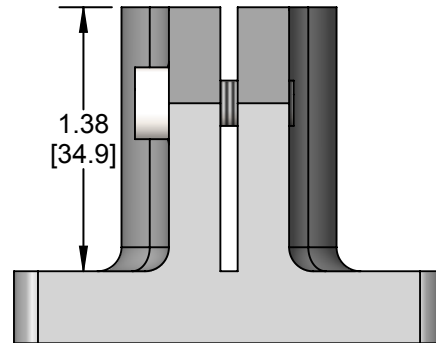
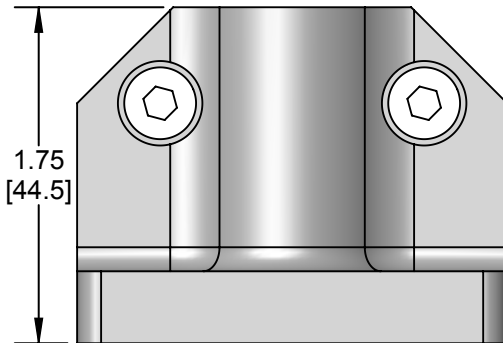
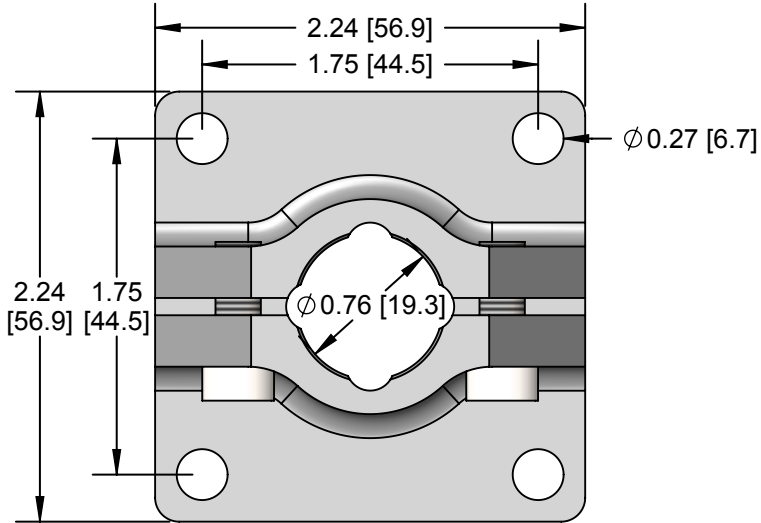
Weight: 6.56 oz [187.7 g]

FCV75: Flanged Clamps (Vertical)

EDCO USA Flanged Clamps give the base needed to build your end of arm tooling structure. Vertical Flanged Clamps offer the same quality and function as the Horizontal Flanged Clamps.



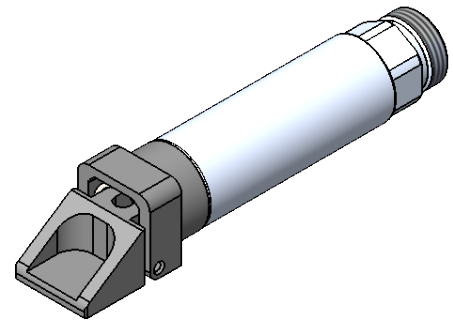
Weight: 5.08 oz [144.0 g]



Gripper Finger Mounts

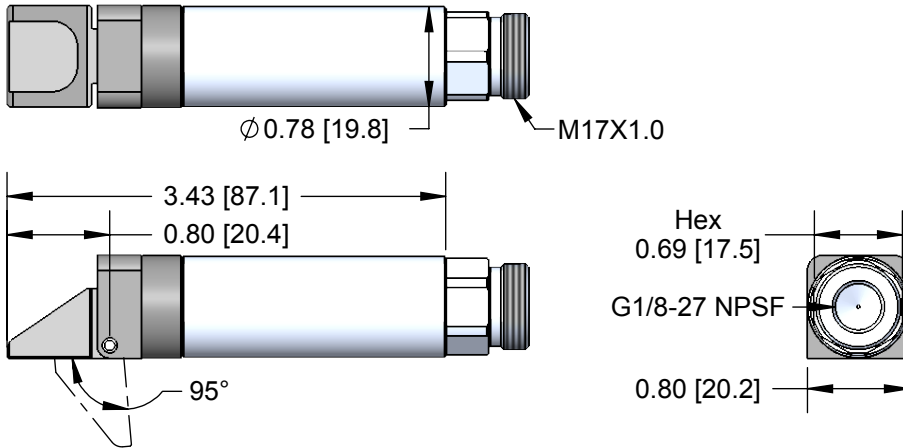
Pneumatic Finger Grippers with spring returns are used to secure parts at the edge.

The GRF20-95 and GRF30-95 provide a full 95° reach and are typically used with an edge clamp



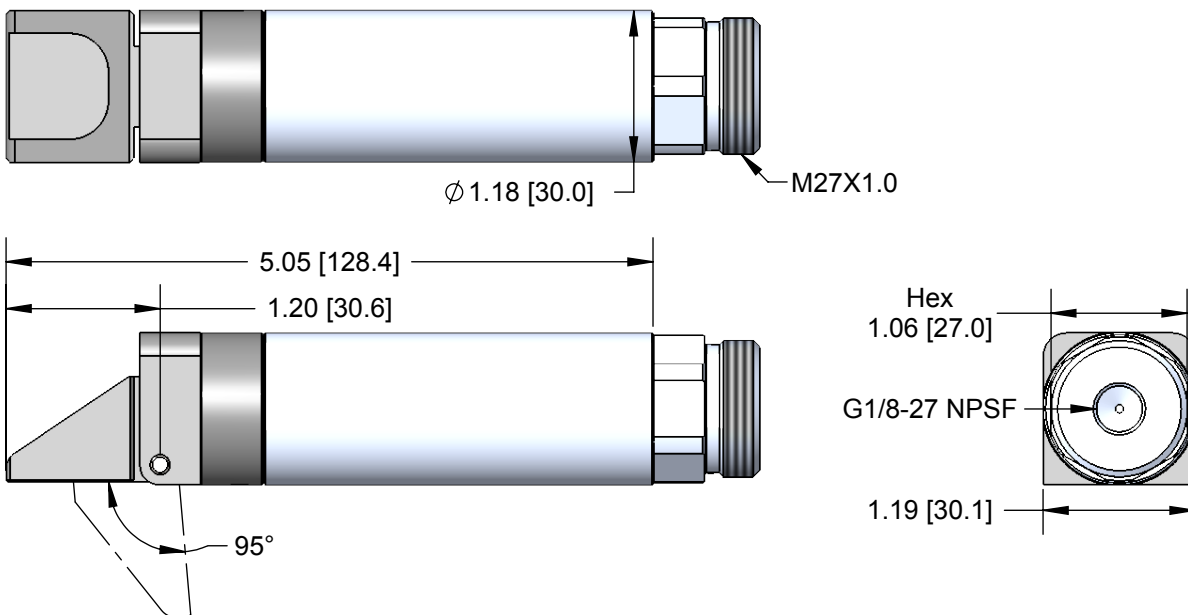
GRF20-95

Weight: 2.14 oz [60.8 g]



GRF30-95

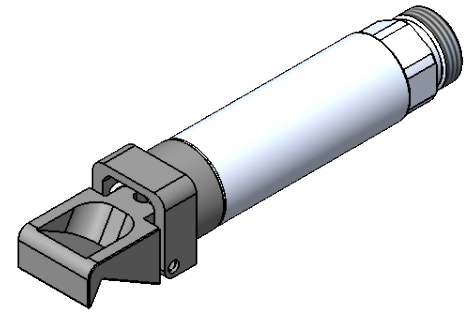
Weight: 6.45 oz [182.9 g]



Gripper Finger Mounts

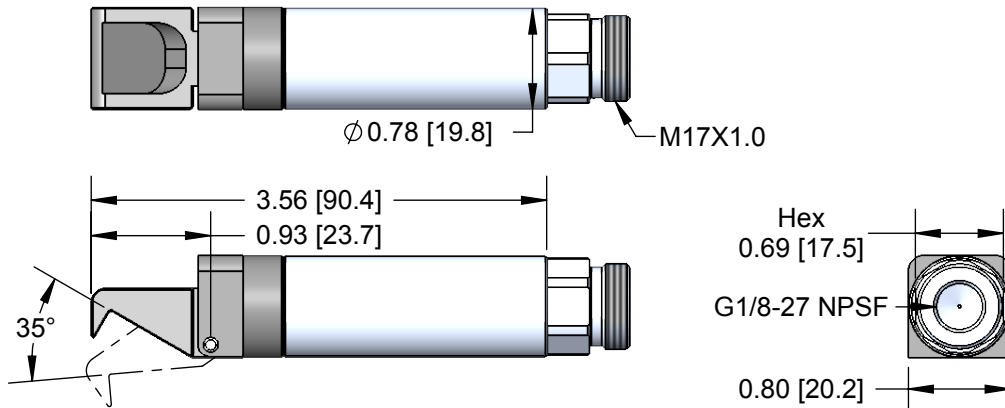
Pneumatic Finger Grippers with spring returns are used to secure parts at the edge.

The GRF20-35 and GRF30-35 provide a full 35° reach and are typically used with an edge clamp



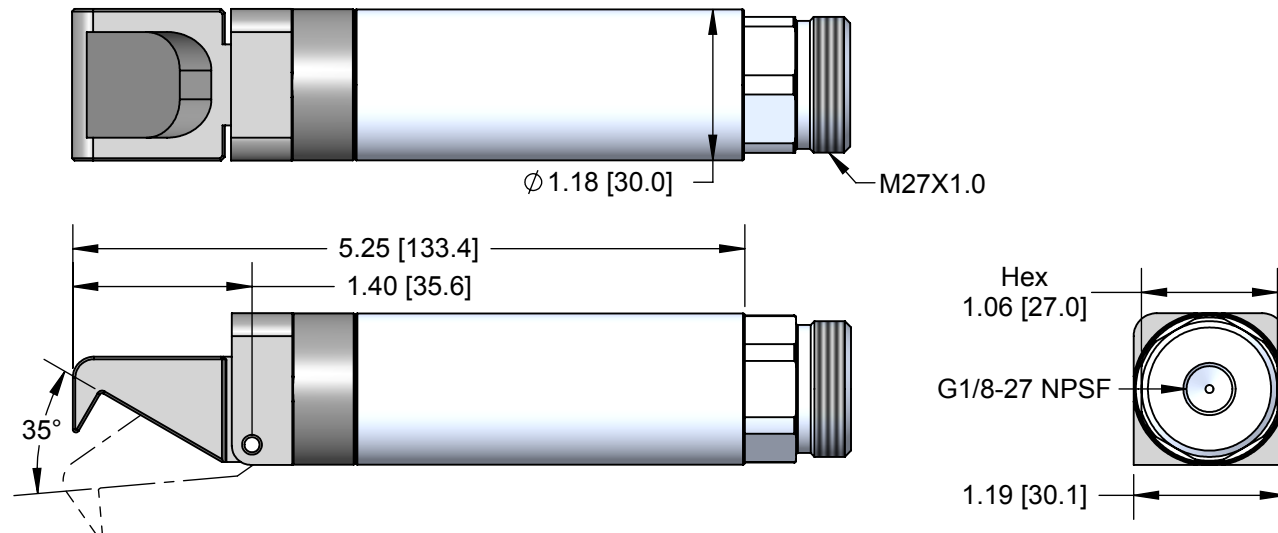
GRF20-35

Weight: 2.24 oz [63.5 g]



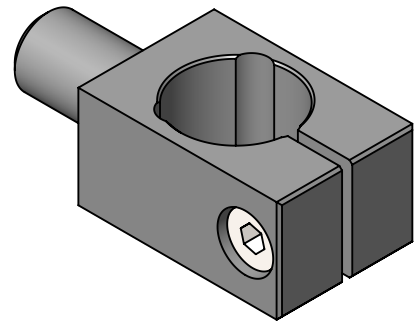
GRF30-35

Weight: 6.78 oz [192.3 g]

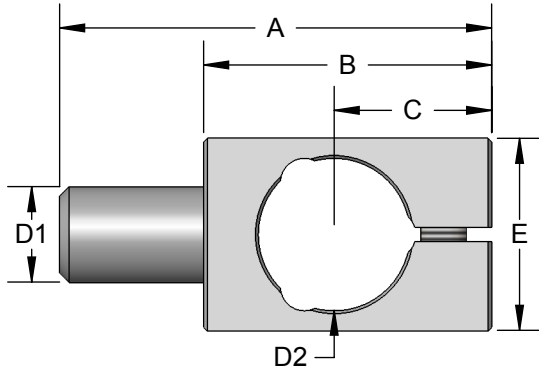


Gripper Finger Mounts

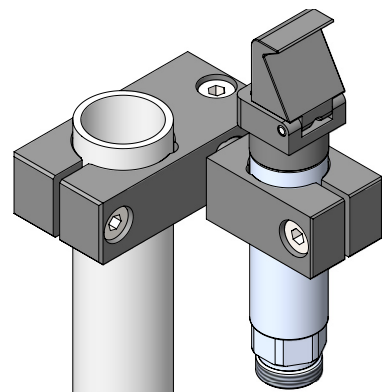
EDCO USA Finger Gripper Clamps come in various sizes to provide a quality clamp for use with a Finger Gripper.



	Tube Ø
FGM-M20	50
50	1/2" Tube
75	3/4" Tube
100	1" Tube



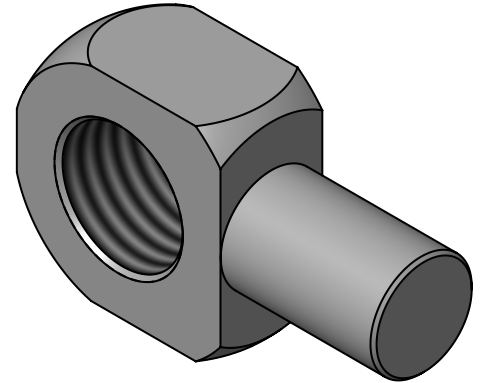
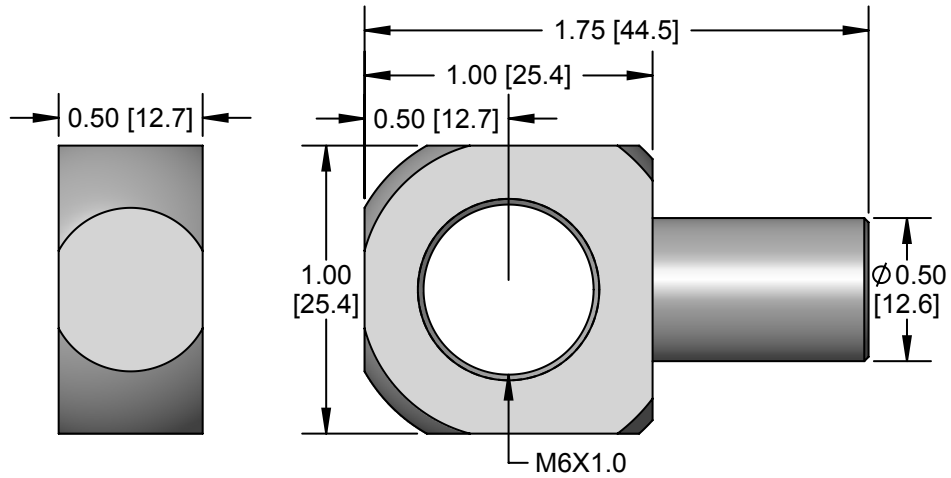
	A in [mm]	B in [mm]	C in [mm]	D1 in [mm]	D2 in [mm]	E in [mm]	F in [mm]	Weight oz [g]
FGM-M2050	2.25 [57.2]	1.50 [38.1]	0.82 [20.8]	0.50 [12.6]	0.79 [20.1]	1.00 [25.4]	0.75 [19.1]	1.48 [42.0]
FGM-M2075	2.25 [57.2]	1.50 [38.1]	0.82 [20.8]	0.75 [19.1]	0.79 [20.1]	1.00 [25.4]	0.75 [19.1]	1.75 [49.7]
FGM-M3075	2.70 [68.6]	1.95 [49.5]	1.02 [25.9]	0.75 [19.1]	1.18 [30.0]	1.50 [38.1]	0.75 [19.1]	2.77 [78.4]



Example: CLM1050, FGM-M2050, and GRF20-35

LCM18: Level Compensator Mounts

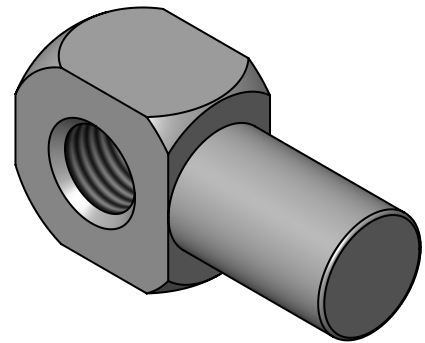
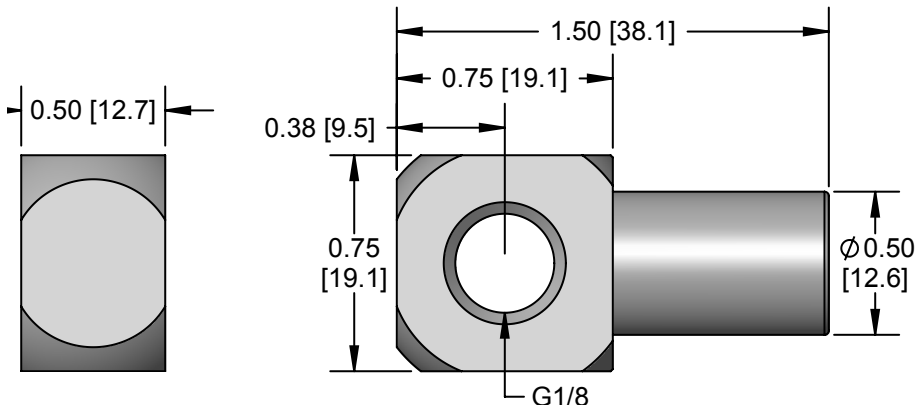
Level compensator mounts make it easy to mount level compensators to tubing.



Weight: 3.68 oz [104.3 g]

LCM10: Level Compensator Mounts

Level compensator mounts make it easy to mount level compensators to tubing.

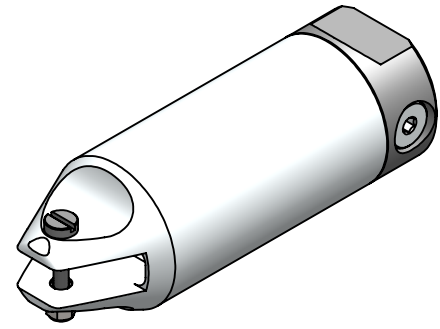


Weight: 3.68 oz [104.3 g]

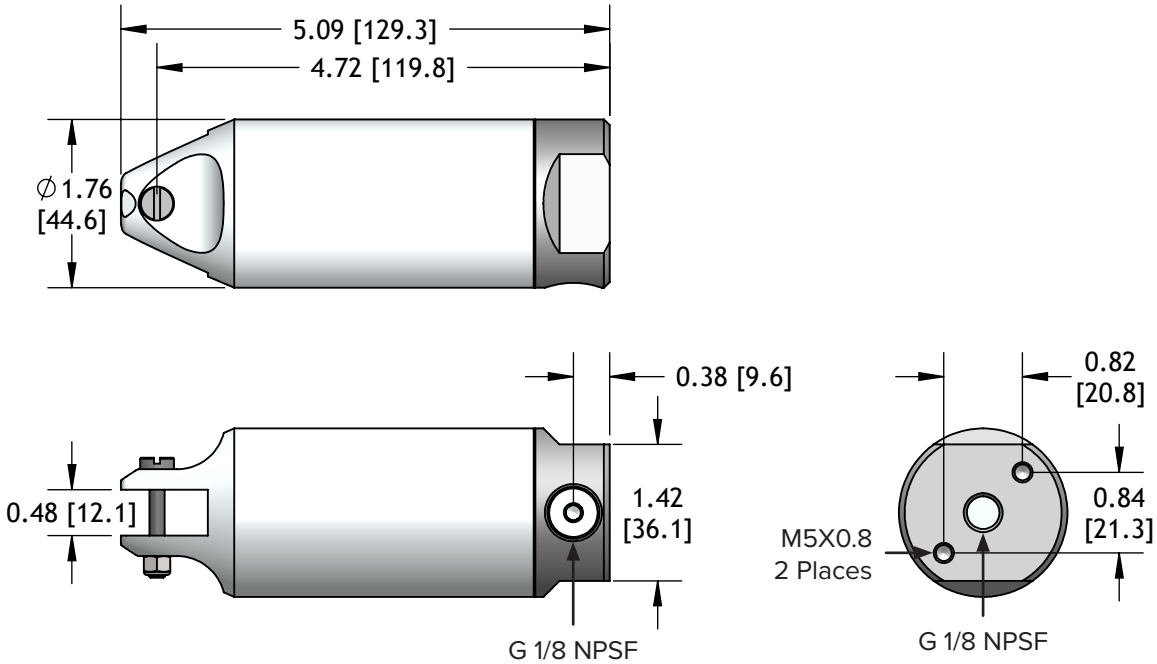
NR20: Nipper Body

High-quality nipper bodies are designed for reliable operation over a long lifespan.

- accepts any brand size 20 nipper blades
- corrosion resistant stainless-steel spring
- machined aluminum body with low-friction, co-deposited nickel plating with teflon finish
- end cap includes 1/8" bottom and side air-supply ports.
- repair components made by EDCO USA available for purchase



Weight: 10.00 oz [283.6 g]



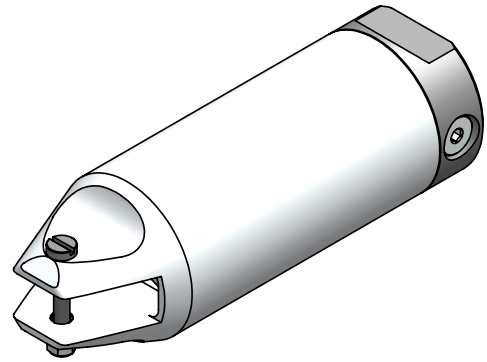
Tecnical Specifications	
Sprue Ø Cut:	0.28 in [7.0 mm]
Cutting Pressure:	980 lbf*
Air Consumption:	4.75 in ³

*When compressed air is supplied at 87 psi.

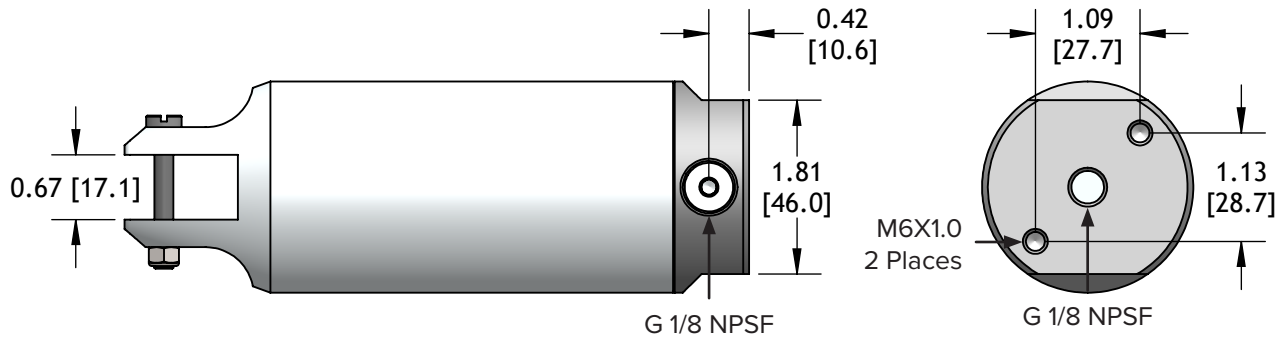
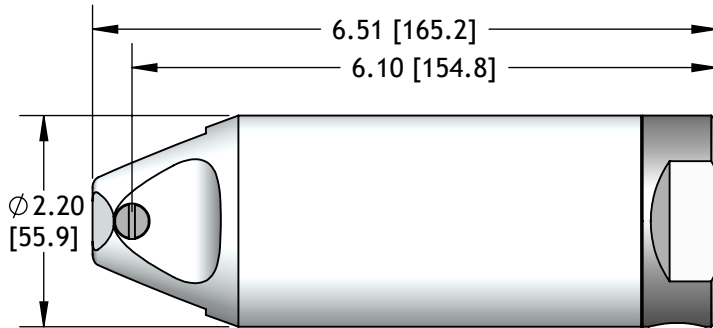
NR30: Nipper Body

High-quality nipper bodies are designed for reliable operation over a long lifespan.

- accepts any brand size 30 nipper blades
- corrosion resistant stainless-steel spring
- machined aluminum body with low-friction, co-deposited nickel plating with teflon finish
- end cap includes 1/8" bottom and side air-supply ports.
- repair components made by EDCO USA available for purchase



Weight: 18.30 oz [518.8 g]



Tecnical Specifications	
Sprue Ø Cut:	0.39 in [10.0 mm]
Cutting Pressure:	1,320 lbf*
Air Consumption:	10.35 in ³

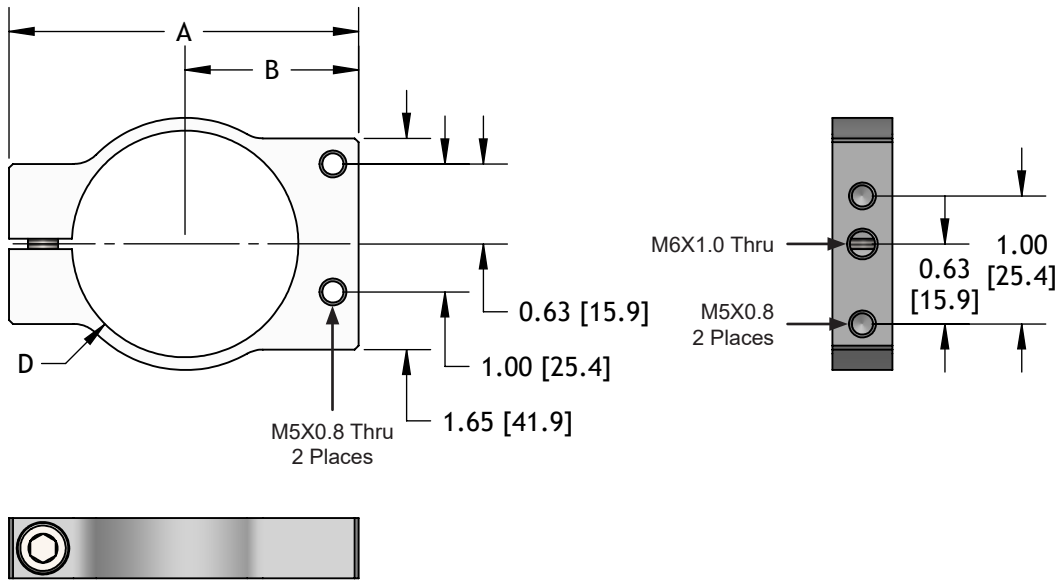
*When compressed air is supplied at 87 psi.

Nipper Mounts

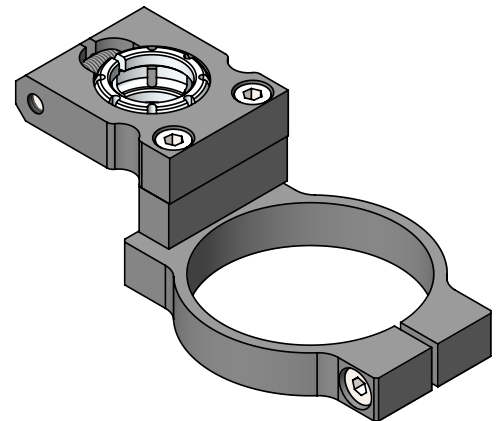
Anodized aluminum nipper mounts are perfect for mounting nippers with other EOAT components.

See page 17:29 to order a preassembled Swivel Nipper Mount.

Nipper Body Size	
NM	20
20	NR20
30	NR30



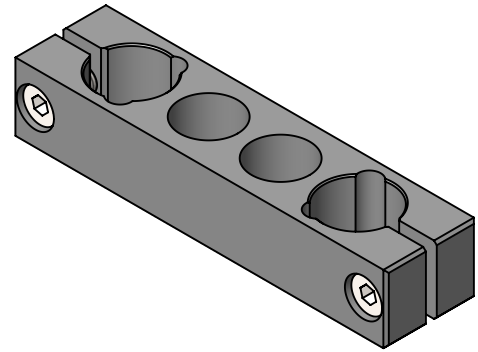
	A in [mm]	B in [mm]	D in [mm]	Compatible Nipper	Weight oz [g]
NM20	2.73 [69.3]	1.36 [34.4]	1.97 [50.0]	NR20	1.52 [43.0]
NM30	3.13 [79.5]	1.56 [39.5]	2.21 [56.1]	NR30	1.72 [48.6]



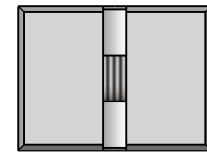
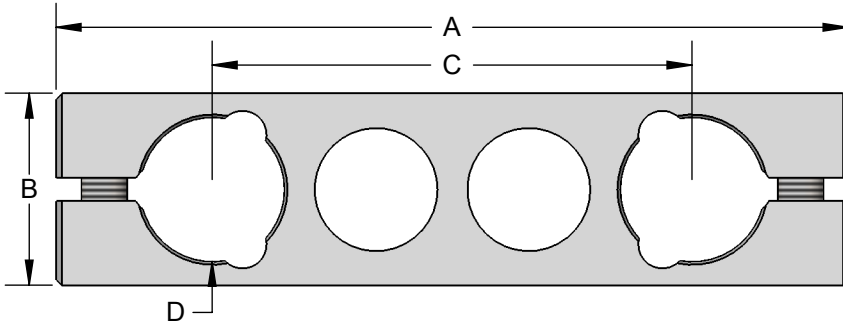
Example: SNM7530-50

Parallel Clamp Mounts

Parallel Clamp Mounts are the perfect solution when you need to mount two tubes in parallel.



Tube Size	
PCLM	5050
5050	Ø 1/2" Tube
7575	Ø 3/4" Tube
1010	Ø 1" Tube



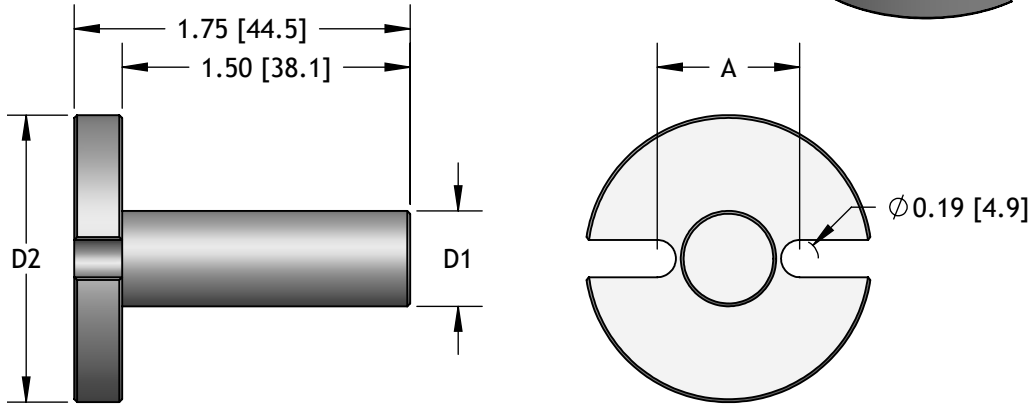
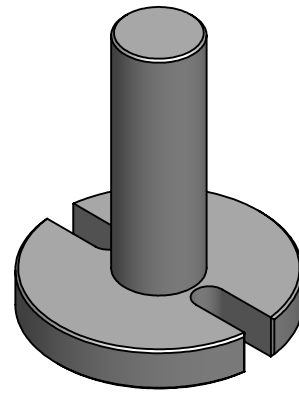
	A in [mm]	B in [mm]	C in [mm]	D in [mm]	E in [mm]	Weight oz [g]
PCLM5050*	2.63 [66.7]	0.75 [19.1]	1.25 [31.8]	0.50 [12.8]	0.75 [19.1]	1.79 [50.8]
PCLM7575	4.13 [104.8]	1.00 [25.4]	2.50 [63.5]	0.75 [19.1]	0.75 [19.1]	3.08 [87.4]
PCLM1010	4.63 [117.5]	1.25 [31.8]	2.75 [69.9]	1.00 [25.4]	0.75 [19.1]	4.20 [118.9]

*PCLM5050 screw heads protude by 0.07 [1.8].

Post-Style Gripper Mounts

Our Post-Style Gripper Mounts work well with a variety of our clamp mounts when you'd like to mount to a plate rather than use tubing.

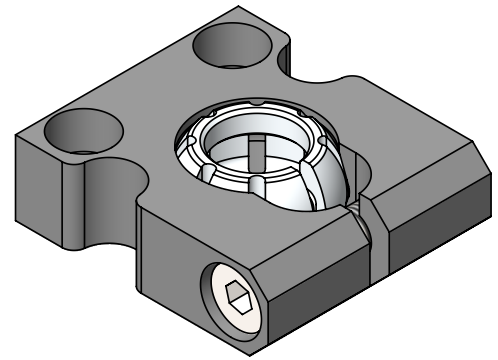
Post Size		
PGM	50	R
50	Ø 1/2" Post	
75	Ø 3/4" Post	



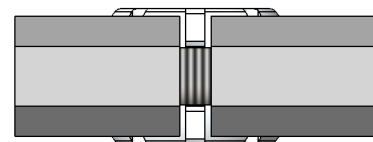
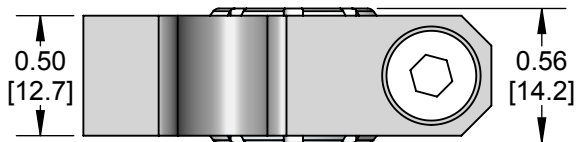
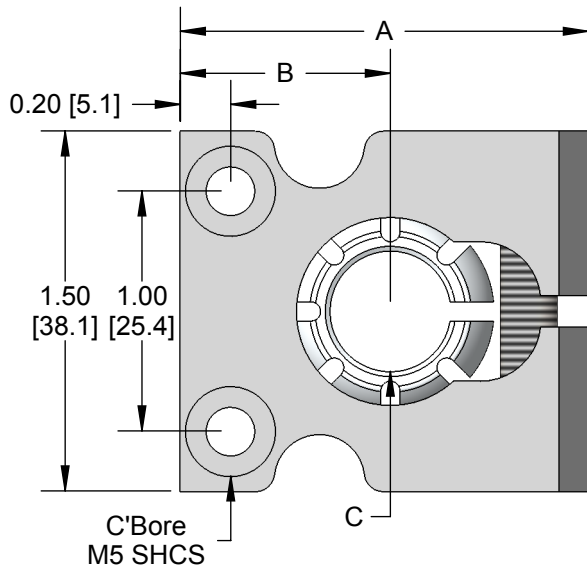
	A in [mm]	D1 in [mm]	D2 in [mm]	Weight oz [g]
PGM50R	0.74 [18.8]	0.50 [12.6]	1.50 [38.0]	1.07 [30.3]
PGM75R	0.99 [25.2]	0.75 [19.0]	1.74 [44.1]	1.56 [44.2]

Swivel-Ball Mounts

Swivel-Ball Mounts give a degree of movement when mounting tubing. One end has clearance for two M5 socket head cap screws while the other end is fitted with a machined aluminum swivel-ball for mounting tubing.



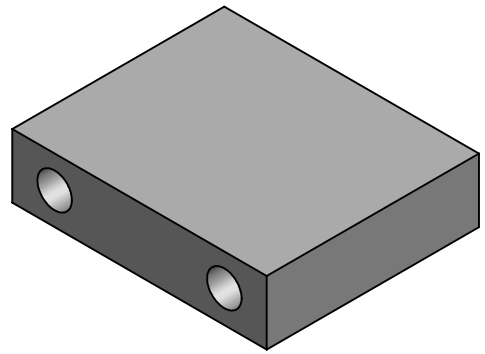
Tube Size	
SMB	75
50	Ø 1/2" Tube
75	Ø 3/4" Tube



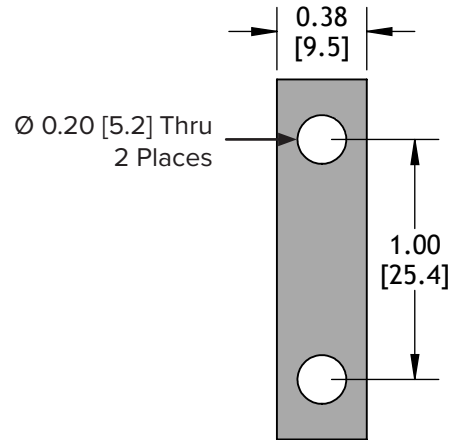
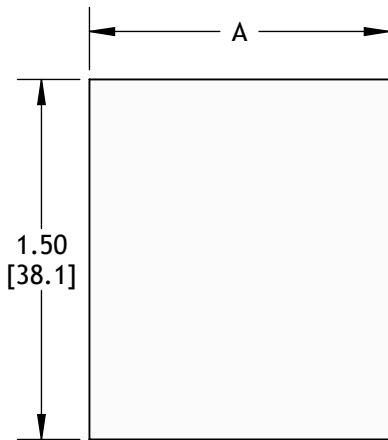
	A in [mm]	B in [mm]	C in [mm]	Weight oz [g]
SMB50	1.70 [43.2]	0.88 [22.2]	0.50 [12.8]	1.55 [43.9]
SMB75	1.95 [49.5]	0.98 [24.8]	0.75 [19.1]	1.70 [48.2]

Stand-Off Mounts (Spacers)

Stand-Off Mounts provide a great deal of flexibility when using multiple EOAT components together. We use our Stand-Off Mounts with Swivel-Ball Mounts and Nipper Mounts to give us a wide variety of mounting options.



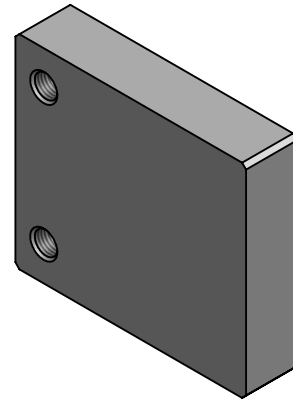
Spacer Size	
SP-	125
50	1/2" Height
125	1-1/4" Height



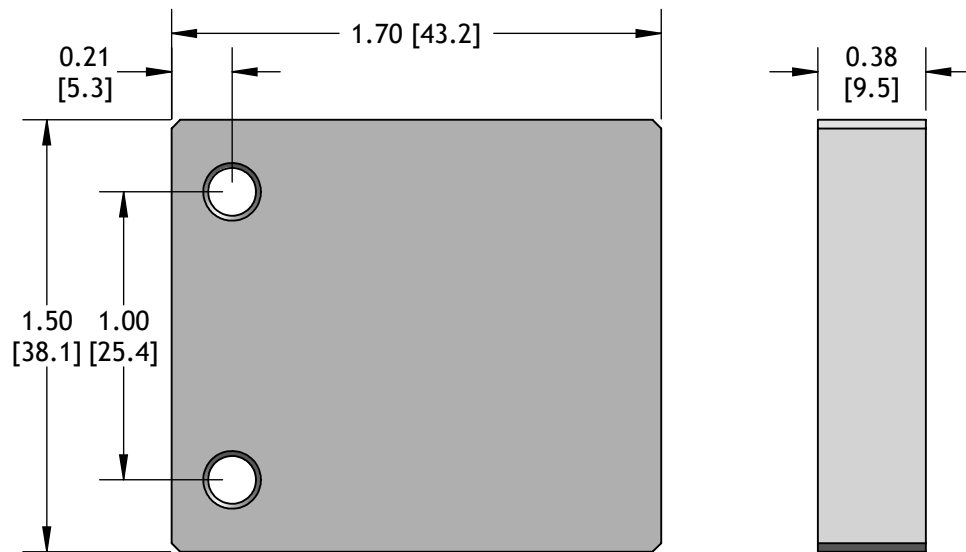
	A in [mm]	Weight oz [g]
SMB50	1.70 [43.2]	0.39 [11.0]
SMB75	1.95 [49.5]	0.97 [27.5]

SMB-GP: Mount Plate

Our mount plate is a simple anodized aluminum machine plate with two M5 thru holes for mounting other pieces of EOAT. We use these with our swivel mounts and spacers to create a versatile mount utilizing a few, simple pieces.

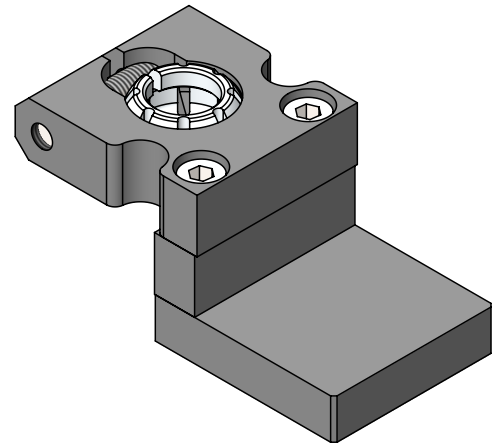


Weight: 1.47 oz [41.5 g]

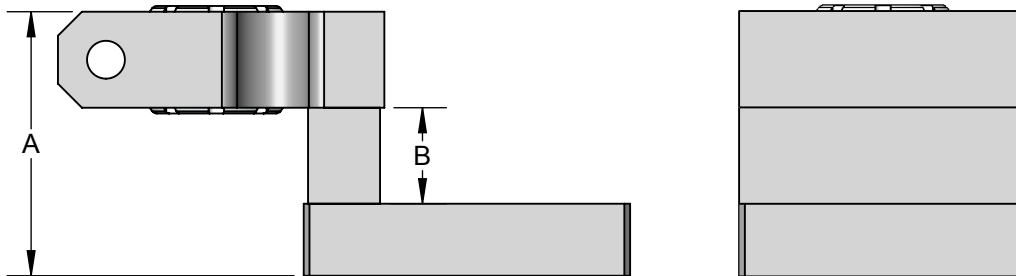
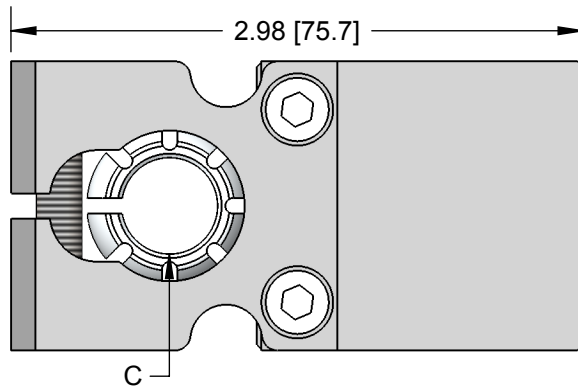


Swivel-Gripper Mounts

Swivel-Gripper Mounts combine the functionality of our Swivel-Ball Mounts and the flexibility of our Stand-Off Mounts with a Mount Plate for a complete assembly.



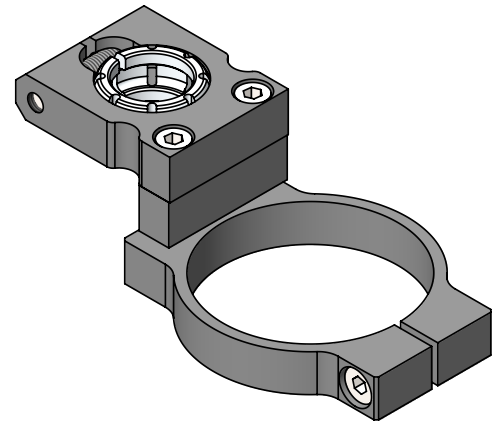
Tube Size		Stand-Off	
SGM	75	75	
50	Ø 1/2" Tube	(Blank)	None
75	Ø 3/4" Tube	-50	1/2" Stand-Off
		-125	1-1/4" Stand-Off



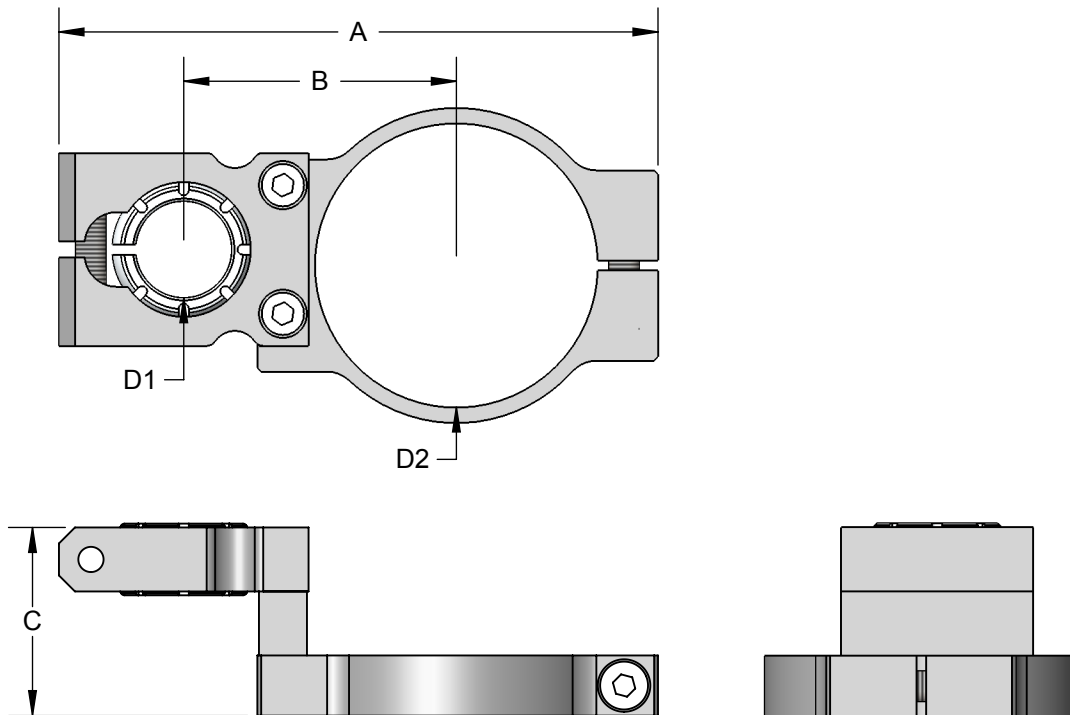
	A in [mm]	B in [mm]	C in [mm]	Weight oz [g]
SGM50	0.88 [22.2]	N/A	0.50 [12.8]	3.29 [93.2]
SGM50-50	1.38 [34.9]	0.50 [12.8]	0.50 [12.8]	3.79 [107.5]
SGM50-125	2.13 [54.0]	1.25 [31.8]	0.50 [12.8]	4.58 [130.0]
SGM75	0.88 [22.2]	N/A	0.75 [19.1]	3.44 [97.6]
SGM75-50	1.38 [34.9]	0.50 [12.8]	0.75 [19.1]	3.94 [111.8]
SGM75-125	4.74 [134.3]	1.25 [31.8]	0.75 [19.1]	4.74 [134.3]

Swivel-Nipper Mounts

Swivel-Nipper Mounts combine the functionality of our Nipper Mounts and Swivel-Ball Mounts with the flexibility of our Stand-Off Mounts with a Mount Plate for a complete assembly.



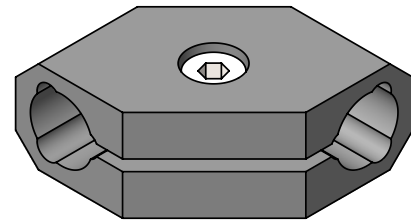
	Tube Size	Nipper Size	Stand-Off
SGM	75	75	75
50	Ø 1/2" Tube	50 NR20	(Blank) None
75	Ø 3/4" Tube	75 NR30	-50 1/2" Stand-Off
			-125 1-1/4" Stand-Off



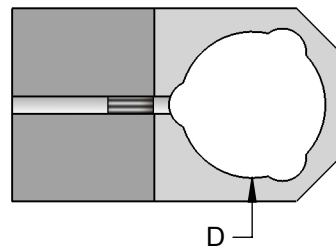
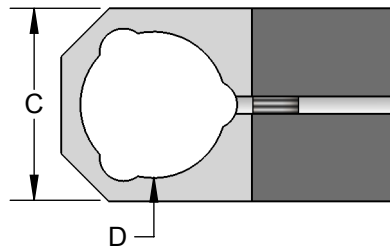
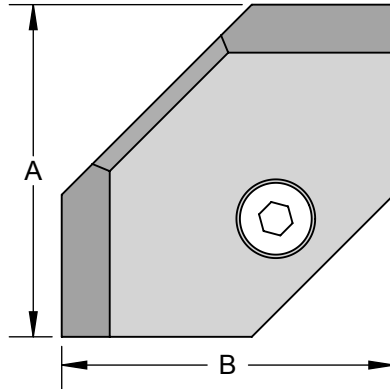
	A in [mm]	B in [mm]	C in [mm]	D1 in [mm]	D2 in [mm]	Weight oz [g]
SNM5020	4.02 [102.1]	1.82 [46.2]	0.97 [24.6]	0.50 [12.8]	1.77 [45.0]	3.34 [94.7]
SNM5020-50	4.02 [102.1]	1.82 [46.2]	1.47 [37.3]	0.50 [12.8]	1.77 [45.0]	3.84 [109.0]
SNM5020-125	4.02 [102.1]	1.82 [46.2]	2.22 [56.4]	0.50 [12.8]	1.77 [45.0]	4.64 [131.5]
SNM5030	4.42 [112.3]	2.02 [51.3]	0.97 [24.6]	0.50 [12.8]	2.21 [56.1]	3.54 [100.3]
SNM5030-50	4.42 [112.3]	2.02 [51.3]	1.47 [37.3]	0.50 [12.8]	2.21 [56.1]	4.04 [114.6]
SNM5030-125	4.42 [112.3]	2.02 [51.3]	2.22 [56.4]	0.50 [12.8]	2.21 [56.1]	4.83 [137.0]
SNM7520	4.28 [108.7]	1.93 [49.0]	0.97 [24.6]	0.75 [19.1]	1.77 [45.0]	3.49 [99.0]
SNM7520-50	4.28 [108.7]	1.93 [49.0]	1.47 [37.3]	0.75 [19.1]	1.77 [45.0]	4.00 [113.3]
SNM7520-125	4.28 [108.7]	1.93 [49.0]	2.22 [56.4]	0.75 [19.1]	1.77 [45.0]	4.79 [135.8]
SNM7530	4.68 [118.9]	2.13 [54.1]	0.97 [24.6]	0.75 [19.1]	2.21 [56.1]	3.69 [104.6]
SNM7530-50	4.68 [118.9]	2.13 [54.1]	1.47 [37.3]	0.75 [19.1]	2.21 [56.1]	4.19 [118.9]
SNM7530-125	4.68 [118.9]	2.13 [54.1]	2.22 [56.4]	0.75 [19.1]	2.21 [56.1]	4.99 [141.4]

Wrist Clamps

Made of anodized aluminum, Wrist Clamps are a great way to mount two pieces of tubing (same \varnothing) at a 90° angle.



Tube Size	
WC	5050
5050	\varnothing 1/2" Tube
7575	\varnothing 3/4" Tube
1010	\varnothing 1" Tube

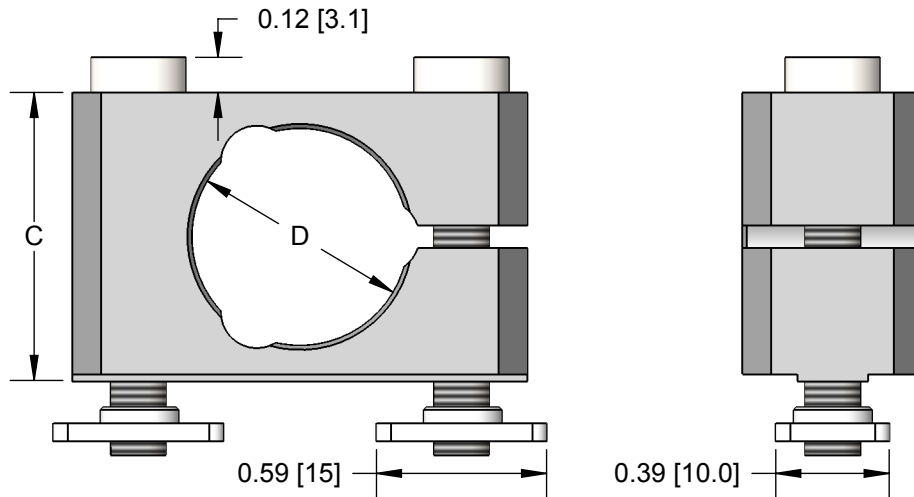
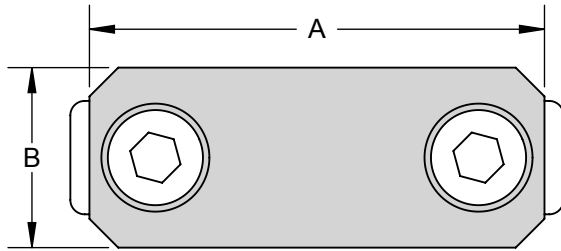
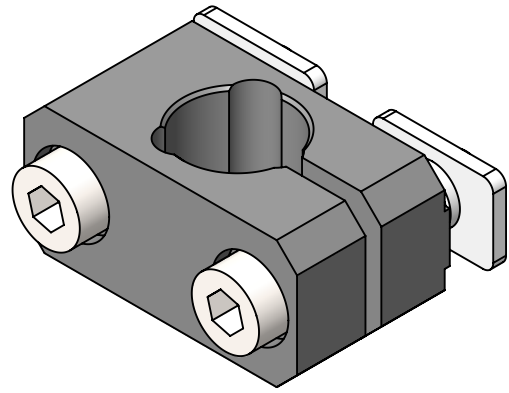


	A in [mm]	B in [mm]	C in [mm]	D in [mm]	Weight oz [g]
WC5050	1.63 [41.3]	1.63 [41.3]	0.75 [19.1]	0.51 [12.9]	1.50 [42.4]
WC7575	1.73 [43.9]	1.73 [43.9]	1.00 [25.4]	0.76 [19.3]	1.79 [50.7]
WC1010	1.98 [50.3]	1.98 [50.3]	1.25 [31.8]	1.01 [25.6]	2.52 [71.4]

Extrusion Clamp Mounts

An anodized aluminum clamp with stainless steel fasteners is perfect for mounting tubing to an extrusion.

Tube Size	
XCLM	50
50	Ø 1/2" Tube
75	Ø 3/4" Tube



	A in [mm]	B in [mm]	C in [mm]	D in [mm]	Weight oz [g]
XCLM50	1.34 [34.0]	0.63 [15.9]	0.75 [19.1]	0.50 [12.8]	1.01 [28.7]
XCLM75	1.58 [40.1]	0.63 [15.9]	1.00 [25.4]	0.75 [19.1]	1.35 [38.3]