

AELB 65KAIC Bolted Molded Case Circuit Breaker

Explosionproof, Dust-Ignitionproof, Watertight

NEC:

Class I, Division 1 and 2, Groups C, D
Class I, Zone 1 and 2, Groups IIB
Class II, Division 1 and 2, Groups E, F, G
Class III
Type 4X

Application

- Explosionproof circuit breaker enclosures are used where hazardous materials are handled or stored.
- These units are used for overload and short circuit protection, control of lighting and power circuits.

Features

- 65,000 AIC at 480 V and 240 V.
- Precision machined flame path between box and cover.
- Bolt on stainless steel slotted mounting feet.
- Stainless steel, captive Quad-Lead® cover bolts are standard (disengaged in 1-1/2 turns).
- Ground lug package and installation instructions for termination of ground wire enclosed.
- External operating handle with stops for limiting handle travel.
- Breaker operators can be locked in the ON or OFF position (up to 3 padlocks).
- External flange maximizes internal space.
- Standard outlets top and bottom for line and load wiring.
- Plugged 1/2" outlets top and bottom for breather and drain.
- Breakers mounted on a galvanized steel removable pan.
- O-ring gasket insures watertight integrity.

Standard Materials

- Bodies and covers: copperfree (4/10 of 1% max.) aluminum
- Cover bolts, hinges, breaker and operator shafts: stainless steel
- Hinges: stainless steel
- O-ring: neoprene

Standard Finishes

- Bodies and covers: gray epoxy powder coat inside and outside standard

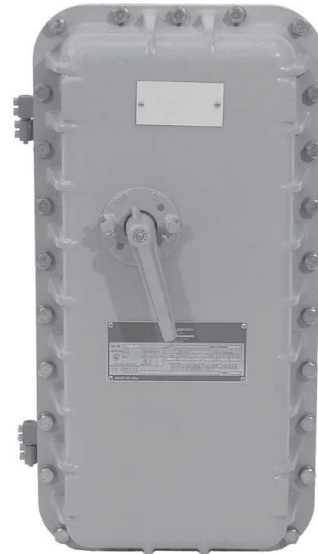
Options

Must be listed in alphanumeric sequence at the end of the catalog number.

- Auxiliary switch (1A or 1B), add suffix —**AS1**.
- Auxiliary switch (2A or 2B), add suffix —**AS2**.
- Breather add suffix —**BR**.
- Drain add suffix —**DN**.
- External grounding stud, add suffix —**EGS**.
- Plastic nameplate, 2" x 4", 1/8" black letters on white surface, 3 lines max, specify legend, add suffix —**NP**.
- Shunt trip (specify voltage), add suffix —**ST**.
- Under voltage release (specify voltage), add suffix —**UV**.
- For higher ambient breaker rating, contact your local sales representative.

NEC Certifications and Compliances

- UL Standard: UL 1203, UL 50
- UL Classified: E84577



DISTRIBUTION EQUIPMENT: NEC/CEC EXPLOSIONPROOF CIRCUIT BREAKERS

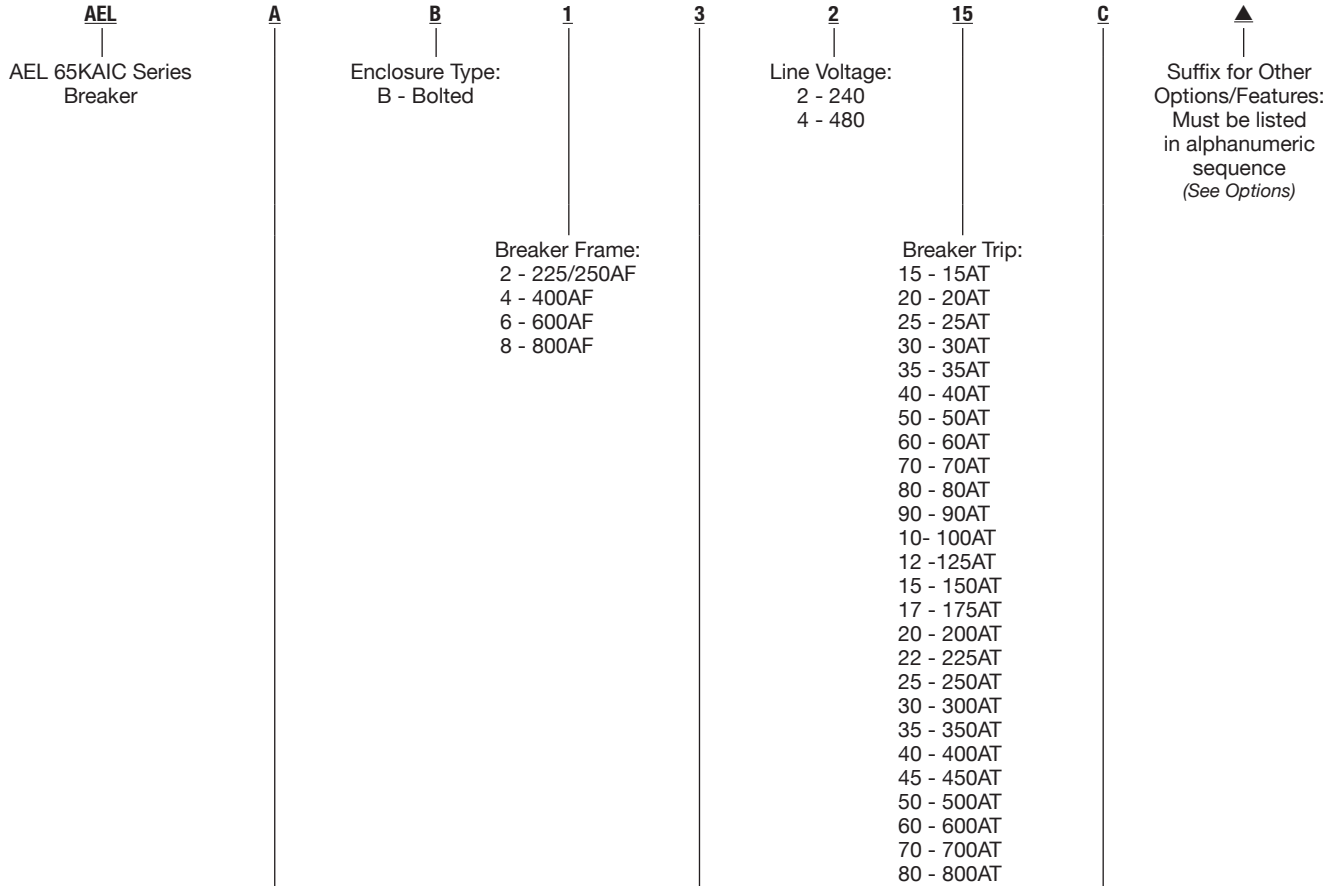

Appleton®

AELB 65KAIC Bolted Molded Case Circuit Breaker

Explosionproof, Dust-Ignitionproof, Watertight

NEC:
 Class I, Division 1 and 2, Groups C, D
 Class I, Zone 1 and 2, Groups IIB
 Class II, Division 1 and 2, Groups E, F, G
 Class III
 Type 4X

Catalog Numbering Guide



Enclosure Size:

Size	Max Amperage	Enclosure Size ①
A	50AT	10x12x08
B	100AT	10x24x08
C	150AT	10x24x08
E	175AT	10x24x08
F	250AT	14x28x08
D	400AT	20x40x10
	600AT	
L	800AT	20x40x10

Number of Poles:

- 1 - 1 Pole
- 2 - 2 Pole
- 3 - 3 Pole

Indicate Breaker Manufacturer:

- C - Cutler-Hammer (standard)
- S - Square D
- G - General Electric

① The enclosure size is the nominal interior dimensions.

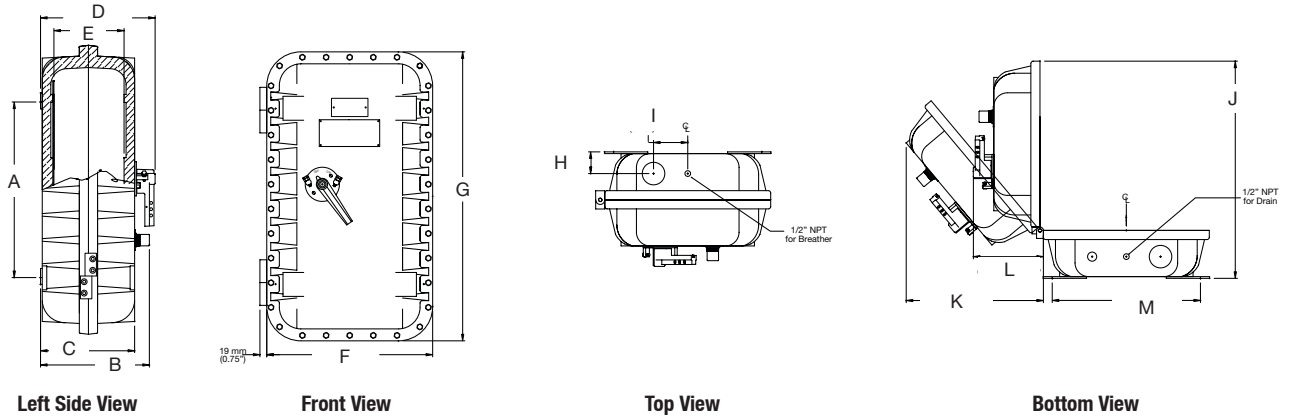
▲ To complete the catalog number please add the appropriate suffix for other options/features. These suffixes can be found in the modifications table in this section.

AELB 65KAIC Bolted Molded Case Circuit Breaker

Explosionproof, Dust-Ignitionproof, Watertight

NEC:
 Class I, Division 1 and 2, Groups C, D
 Class I, Zone 1 and 2, Groups IIB
 Class II, Division 1 and 2, Groups E, F, G
 Class III
 Type 4X

Dimensions in Millimeters (Inches)



Enclosure Size	Max Amperage	Conduit Size (In.)	Dimensions in Millimeters (Inches)												
			A	B	C	D	E	F	G	H	I	J	K	L	M
A	50AT	1 1/2 NPT	225 (8.88)	281 (11.06)	241 (9.50)	—	178 (7.00)	359 (14.13)	422 (16.63)	60 (2.38)	79 (3.13)	494 (19.44)	310 (12.19)	167 (6.56)	311 (12.25)
B	100AT	1 1/2 NPT	489 (19.25)	289 (11.38)	246 (9.69)	305 (12.00)	178 (7.00)	359 (14.13)	702 (27.63)	60 (2.38)	80 (3.13)	494 (19.44)	310 (12.19)	183 (6.56)	311 (12.25)
C	150AT	2 NPT	489 (19.25)	289 (11.38)	246 (9.69)	305 (12.00)	178 (7.00)	359 (14.13)	702 (27.63)	60 (2.38)	80 (3.13)	494 (19.44)	310 (12.19)	183 (6.56)	311 (12.25)
E	175AT	2 NPT	489 (19.25)	289 (11.38)	246 (9.69)	305 (12.00)	178 (7.00)	359 (14.13)	702 (27.63)	60 (2.38)	80 (3.13)	494 (19.44)	310 (12.19)	183 (6.56)	311 (12.25)
F	250AT	2 1/2 NPT	489 (19.25)	310 (12.19)	258 (10.56)	327 (12.88)	195 (7.69)	461 (18.13)	803 (31.63)	60 (2.38)	95 (3.75)	607 (23.88)	383 (15.06)	195 (7.69)	413 (16.25)
D	400AT	4 NPT	699 (27.50)	421 (16.56)	379 (14.94)	435 (17.12)	269 (10.60)	664 (26.13)	1168 (46.00)	90 (3.50)	114 (4.50)	864 (34.00)	546 (21.50)	259 (10.19)	572 (22.50)
	600AT	(2) 4 NPT	699 (27.50)	421 (16.56)	379 (14.94)	435 (17.12)	269 (10.60)	664 (26.13)	1168 (46.00)	90 (3.50)	114 (4.50)	864 (34.00)	546 (21.50)	259 (10.19)	572 (22.50)
L	800AT	(2) 4 NPT	699 (27.50)	421 (16.56)	379 (14.94)	435 (17.12)	269 (10.60)	664 (26.13)	1168 (46.00)	90 (3.50)	114 (4.50)	864 (34.00)	546 (21.50)	259 (10.19)	572 (22.50)

DISTRIBUTION EQUIPMENT: NEC/CEC EXPLOSIONPROOF CIRCUIT BREAKERS

