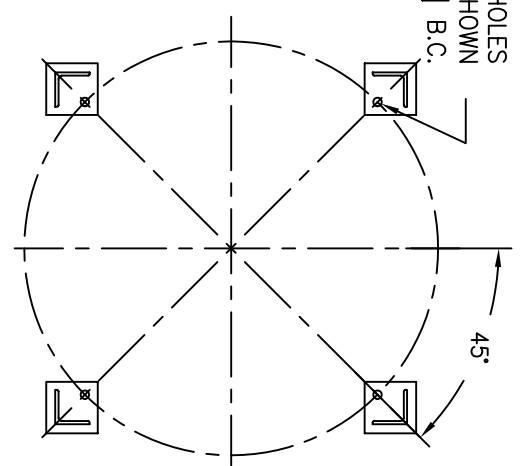


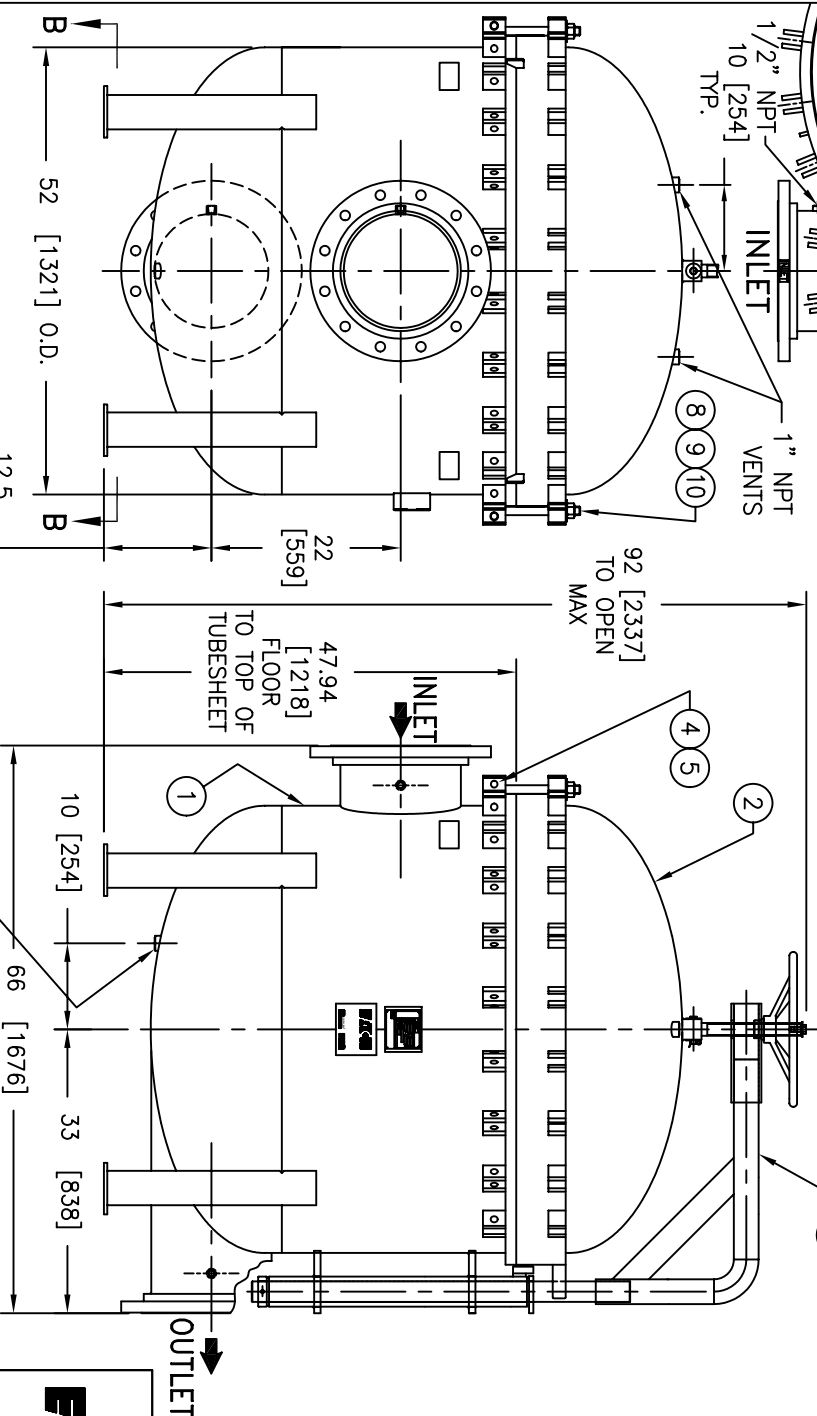
(4) 1"  $\phi$  [22 $\phi$ ] BOLT HOLES  
 LOCATED AS SHOWN  
 ON 48.13 $\phi$  [1222 $\phi$ ] B.C.



ITEM	PART NAME	MATERIAL
1	BODY	SA240 304/304L
2	COVER	SA240 304/304L
3	O-RING	BUNA-N
4	PIN	SA193 B7 ZINC PL
5	SNAP RING	STEEL ZINC PL
6	BASKET RESTRAINER	304 SS
7	FILTER BAG RETAINER	316 SS
8	EYE BOLT	SA193 B7 ZINC PL
9	HEX NUT	SA194 2H ZINC PL
10	WASHER	STEEL ZINC PL
11	DAVIT ASSEMBLY	CARBON STEEL

**NOTES:**

1. UNITS ARE TO BE DESIGNED, FABRICATED & "U" STAMPED IN ACCORDANCE WITH ASME SECT. VIII, DIV. 1 BOILER & PRESSURE VESSEL CODE, IN COMPLIANCE TO LATEST ADDENDA.
2. INLET / OUTLET FLANGE CONNECTIONS PER ANSI B 16.5.
3. DESIGN PRESSURE: 150 PSI (MAMP)  
 DESIGN TEMPERATURE 250° F.  
 MDMT - -20° F @ 150 PSI.
4. ALL DIMENSIONS ARE IN INCHES / (MM).
5. ALL BOLT HOLES ARE TO STRADDLE NATURAL CENTERLINES.
6. APPROX. WEIGHT (DRY) 2730 LB. (1238 KG.)



ELECTRONIC FILE NAME: HD2214TS-304.DWG  
 REF. ECR E370 DATE 12/13/06

UNAUTHORIZED USE, MANUFACTURE OR REPRODUCTION IN WHOLE OR IN PART IS PROHIBITED. DRAWING, DESIGN AND OTHER DISCLOSURES PROPERTY OF EATON FILTRATION, LLC

	<b>EATON FILTRATION, LLC</b> 900 FAIRMOUNT AVENUE, ELIZABETH, NEW JERSEY 07207
	NAME: MAXILINE MBF2202HD FILTER VESSEL 14" INLET / TANGENTIAL OUTLET STAINLESS STEEL-304
DRAWN: FJM DATE: 12/13/06 CERT: LH DATE: 12/13/06	SIZE: A DWG NO: HD2214TS-304 REV: A

CERTIFIED FOR:  
 P.O. NO.:  
 SALES ORDER NO.:  
 QUOTE NO.:  
 TAG NO.:  
 VESSEL CODE: MBF-2202-BB10-140A-UT-11HD  
 PART NUMBER: F3AV2200003-304