

ATX™ DM Series Motor Starters

Flameproof

ATEX/IECEX:
Zone 1 and 2 - 21 and 22
 II 2 G
 IP66 - IK10

Applications

- DM Series motor starters are used in areas where hazardous materials are handled or stored.
- These units provide disconnecting means and thermal overload protection.

Features

- Three pole contactor.
- Thermal overload relay with stop/reset push button.
- Start push button.
- Rated voltage 400/415 Vac, 50/60 Hz AC-3 category.
- Yellow laminated plastic legend plate with black lettering.
- Internal earth terminal: 2 x 4 mm².
- External ground terminal: M5 for Ex d IIB version.
- Earth crossing terminal: M8 for Ex d IIC version.
- 1 x M20 entry on top.
- 2 x M20 entries at bottom with one blanking plug.

Standard Materials

- Housing: gray painted marine grade aluminum alloy (RAL7038).
- Cover bolts: stainless steel

ATEX/IECEX Certifications and Compliances

- Certification Type CF2D
 - Gas: Zone 1 and 2
 - Conforming to ATEX 94/9/CE: II 2 G
 - Type of Protection: Ex d IIB
 - Temperature Class: T4 [ta +40 °C (-40 °F)] or T3 [ta +55 °C (+131 °F)]
 - Dust: Zone 21 and 22
 - Conforming to ATEX 94/9/CE: II 2 D
 - Type of Protection: Ex tD A21
 - Surface Temperature: T195 °C (T383 °F)
 - Ambient Temperature: -20 °C to +55 °C (-4 °F to +131 °F)
 - CE Declaration of Conformity: 50254
 - ATEX Certificate: LCIE 03 ATEX 6061X
- Certification Type CF1B
 - Gas: Zone 1 and 2
 - Conforming to ATEX 94/9/CE: II 2 G
 - Type of Protection: Ex d IIC
 - Temperature Class: T4 (ta +40 °C) or T3 (ta +55 °C)



Ex d IIB Version



Ex d IIC Version

- Dust: Zone 21 and 22
- Conforming to ATEX 94/9/CE: II 2 D
- Type of Protection: Ex tD A21
- Surface Temperature: T195 °C (T383 °F)
- Ambient Temperature: -20 °C to +55 °C (-4 °F to +131 °F)
- CE Declaration of Conformity: 50257
- ATEX Certificate: LCIE 03 ATEX 6044X
 - Index of Protection according EN/IEC 60529: IP66
 - Impact Resistance (shock): IK10
 - Internal Volume: > 2 dm³ (122 in³) - 2 liters

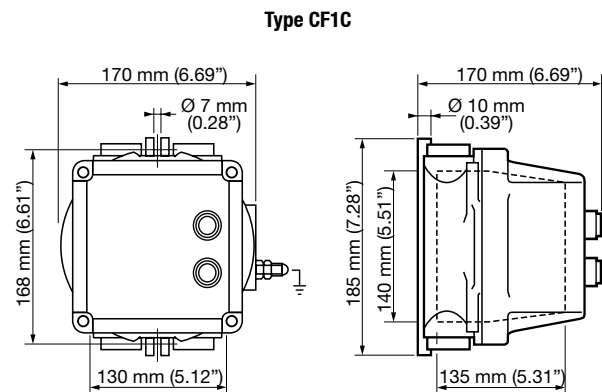
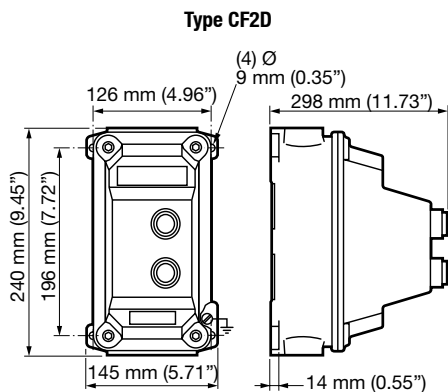
EURASEC Certification

- Certification Type CF2D
 - EURASEC RU C-FR. ГБ 05.B.0091
- Certification Type CF1B
 - EURASEC RU C-FR. ГБ 05.B.00911

Related Products

- Cable glands must be ordered separately. See *Hazardous Location Fittings Section*.

Dimensions in Millimeters (Inches)



CONTROL S: ATEX/IECEX FLAMEPROOF MOTOR STARTERS

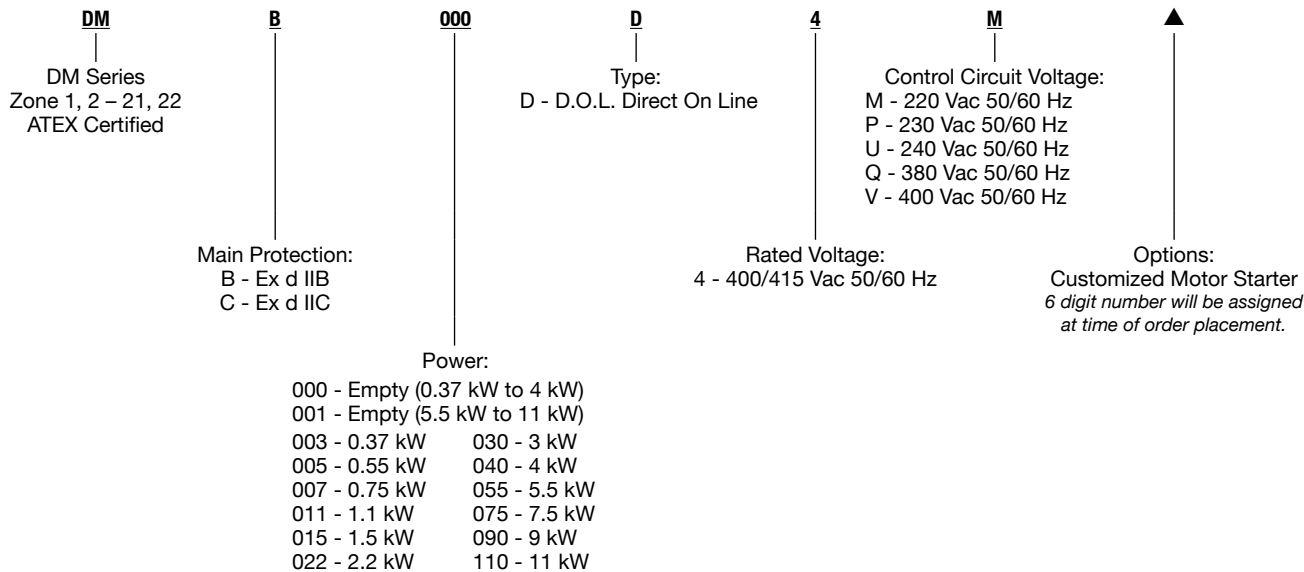


ATX™ DM Series Motor Starters

Flameproof

ATEX/IECEX:
 Zone 1 and 2 - 21 and 22
 II 2 G
 IP66 - IK10

Catalog Numbering Guide



CONTROLS: ATEX/IECEX FLAMEPROOF MOTOR STARTERS



Type	Protection	Description	Weight kg (lb)	Volume dm ³ (in ³)	Catalog Number
Enclosure for Housing Contactor with Overload Relay up to 11 kW Ex d IIB T4 (for Ta +40 °C) or T3 (for Ta +55 °C)					
CF2D	IIB	For 0.37kW to 4 kW (9 Amp, 400/415 Vac max.) contactor and thermal overload relay not supplied (LC1D09 and LRD – from Schneider Electric ①)	4.0 (8.82)	14.0 (854.3)	DMB000D
CF2D	IIB	For 5.5kW to 11 kW (25 Amp, 400/415 Vac max.) contactor and thermal overload relay not supplied (LC1D25 and LRD – from Schneider Electric ①)	4.0 (8.82)	14.0 (854.3)	DMB001D
Enclosure Fitted and Prewired with Contactor and Thermal Overload Relay					
CF2D	IIB	For 5.5 kW 400/415 Vac Motor Coil 230 Vac Fitted with contactor LC1-D25 P7 and thermal overload relay LRD-16	4.5 (9.92)	14.0 (854.3)	DMB055D4P
Enclosure for Housing Contactor with Overload Relay up to 11 kW Ex d IIC T4 (for Ta +40 °C) or T3 (for Ta +55 °C)					
CF1B	IIC	For 0.37kW to 4 kW (9 Amp, 400/415 Vac max.) contactor and thermal overload relay not supplied (LC1D09 and LRD – from Schneider Electric ①)	4.0 (8.82)	14.0 (854.3)	DMC000D
CF1B	IIC	For 5.5kW to 11 kW (25 Amp, 400/415 Vac max.) contactor and thermal overload relay not supplied (LC1D25 and LRD – from Schneider Electric ①)	4.0 (8.82)	14.0 (854.3)	DMC001D
Enclosure Fitted and Prewired with Contactor and Thermal Overload Relay					
CF1B	IIC	For 5.5 kW 400/415 Vac Motor Coil 230 Vac Fitted with contactor LC1-D25 P7 and thermal overload relay LRD-16	4.5 (9.92)	14.0 (854.3)	DMC055D4P

① Schneider Electric is a registered trademark Schneider Electric SA.