

EFL Series HID and Quartz Floodlights

Explosionproof

NEC/CEC:
 Class I, Zone 1 and 2
 Ex de IIB T1/T2/T3
 Class I, Zone 1 and 2
 AEx de IIB T1/T2/T3
 IP66 / 67

Applications

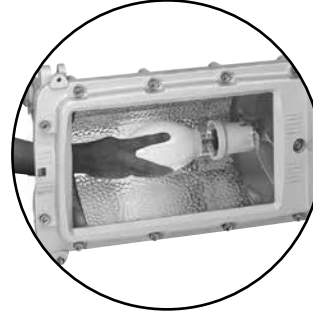
- Designed for large area lighting in industrial outdoor and indoor explosionproof areas.
- Ideal for use in Zone 1 and 2 applications in the oil and gas industry in such areas as refineries, pipelines and offshore drilling rigs.

Features

- Fast and easy tubular lamp replacement via threaded entry at the end of the fixture. Suitable for HPS and HPI-T MH lamps only. Other lamps require lens cover removal for servicing.
- Lamp holder can be easily field adjusted for either a narrow or wide beam type.
- Thermally separated ballast provides for extended life.
- Easy, efficient wiring process due to a separate Ex e terminal chamber.
- Choice of mounting with a galvanized yoke bracket, fixed horizontal brackets, two different sizes of tube/pole mount brackets or without brackets for custom installation.
- Tempered safety glass lens is factory sealed into the cover frame.
- Suitable for use in up to 55 °C (131 °F) ambient temperatures.
- Two – M20 threaded cable entries for ease of wiring. Supplied c/w one close-up plug and one Ex e non-armored cable gland.
- One external 4mm² and one 6mm² earth/ground terminals.
- Universal mounting for vertical or horizontal positioning.
- Reversible hinge allows for fixture access from either side.
- Mogul Base Lamp is supplied as standard. Optional export version would be supplied with E40 export socket.
- Highly polished internal Aluminium reflector.

Standard Materials

- Housing and door: copperfree marine grade aluminum alloy
- Lens: tempered safety glass
- Reflector: highly polished aluminium
- Closure bolts: 316 stainless steel



Standard Finishes

- Exterior finish: Housing and door: gray polyester epoxy

Options

- Overhead diffuser. Black painted, galvanized steel. Suffix –**D**.
- Protective wire guard. Zinc plated steel. Suffix –**G**.
- Hot Restrike Igniter. Ignites a hot lamp shortly after a power dip or outage extinguishes the lamp. Suffix –**R**.
- Safety Starter. Shuts off device in the event of a lamp failure. Suffix –**S**.
- Additional wiring terminals. For 3 Phase loop in/out. Suffix –**T**.

NEC/CEC Certifications and Compliances

- cCSAus: LR25428

Catalog Numbering Guide

EFL	H	40	B	TT	L
EFL Series: Explosionproof Floodlights	Lamp Type: H - Metal Halide/ Mercury Vapor L - High Pressure Sodium P - Pulse Start Metal Halide Q - Halogen	Wattage: 10 - 1000W Quartz Halogen 15 - 150W HPS, MH ① 17 - 175W PSMH, MH ① 20 - 200W PSMH 25 - 250W HPS, MH ① 40 - 400W HPS, MH ① 50 - 500W Quartz Halogen	Mounting: B - Galvanized Yoke Bracket (Std. Offering) H - Set of Horizontal Fittings C1 - Clamp Bracket. For 1-1/4" – 1-1/2" Tube C2 - Clamp Bracket. For 2" Tube N - No Mounting Hardware Supplied	HID Ballast Type and Voltage TT - CWA for 120/277/347V MT - CWA for 120/208/240/277V XP - CWA for 120/220-240V 50 Hz C5 - CWI for 480V C6 - CWI for 600V A1 - No Ballast - Quartz Only	Accessory Options: D - Overhead Diffuser G - Protective Wire Guard L - Lamp Included (HID Only) R - Protected Hot R Strike S - Safety Starter (not required with R)

① Mercury and Mercury Vapor luminaires are not available for purchase within the United States. Please check with your countries governing legislation regarding allowable lamp types before ordering.

EFL Series HID and Quartz Floodlights

Explosionproof

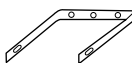

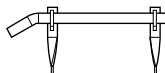

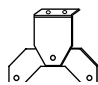
NEC/CEC:
Class I, Zone 1 and 2
Ex de IIB T1/T2/T3
Class I, Zone 1 and 2
AEx de IIB T1/T2/T3
IP66 / 67

Fixture Ordering Supplied Std. w/ Yoke Mtg.	T Code	T Code	Input Voltages	Fixture Wt.	Vol.	Catalog Number
	40 °C (104 °F)	55 °C (131 °F)				
Metal Halide/Mercury Vapor ③						
150 W	T3	T3	120/277/347 V 60Hz	60	3	EFLH15B-TT ①
250 W	T3	T3	120/277/347 V 60Hz	62	3	EFLH25B-TT
400 W	T3	T3	120/277/347 V 60Hz	66	3	EFLH40B-TT
Pulse Start Metal Halide						
175 W	T3	T3	120/277/347 V 60Hz	62	3	EFLP17B-TT ①
200 W	T3	T3	120/277/347 V 60Hz	62	3	EFLP20B-TT ①
250 W	T3	T3	120/277/347 V 60Hz	25	3	EFLP25B-TT ①
400 W	T3	T3	120/277/347 V 60Hz	66	3	EFLP40B-TT ①
High Pressure Sodium						
150 W	T3	T3	120/277/347 V 60Hz	60	3	EFL15B-TT
250 W	T3	T3	120/277/347 V 60Hz	62	3	EFL25B-TT
400 W	T3	T3	120/277/347 V 60Hz	66	3	EFL40B-TT
Tubular Quartz Halogen						
500 W	T1	T1	Lamp sockets rated 125-250 Vac	71	3	EFLQ50B-A1
1000 W	T1	T1		71	3	EFLQ10B-A1

Voltages – Add Suffix Below to Catalog Number

Volts	120	208	220	240	277	347	480	600
CWA	-MT	-MT	-	-MT	-MT	-	-A6 ②	-
CWI	-C1	-C2	-	-C3	-	-C5	-C6	-C7
50 Hz CWA	-XP	-	-XP	-XP	-	-	-	-

Accessories and Replacement Parts

Size mm (in)	Catalog Number	Catalog Number
Galvanized Steel Hinged Bracket		Clip on Diffuser
	PNTB1	 PND1
Pole Mounting Brackets		Protective Guard
	31.8 to 38.1 (1.25 to 1.50)	 PNG1
	50.8 (2.00)	
	PNPB115	
	PNPB120	
Horizontal Fixed Mounting Bracket		
	PNHB1	

① Depending on availability of tubular type lamps, may require removal of lens cover for servicing.

② Supplied as export voltage only. Not suitable for CEC applications

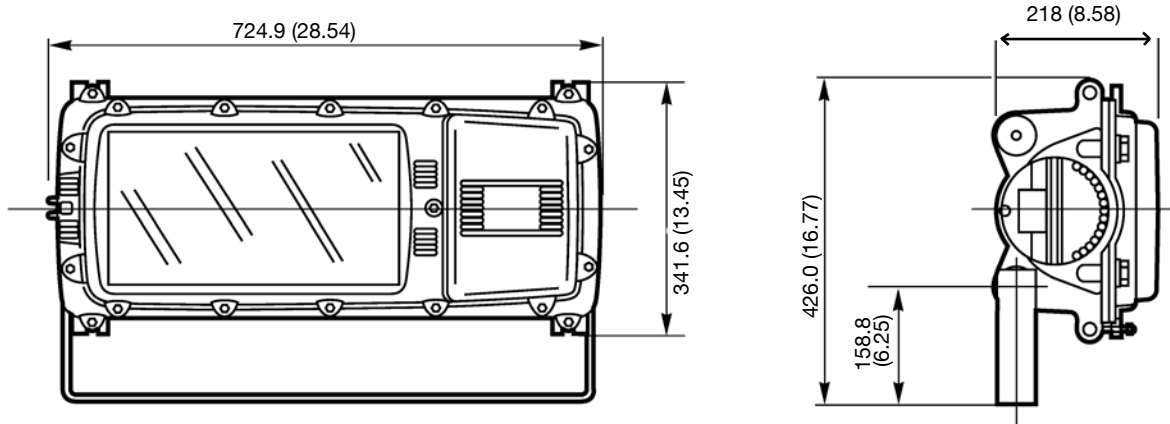
③ Mercury and Mercury Vapor luminaires are not available for purchase within the United States. Please check with your countries governing legislation regarding allowable lamp types before ordering.

EFL Series HID and Quartz Floodlights

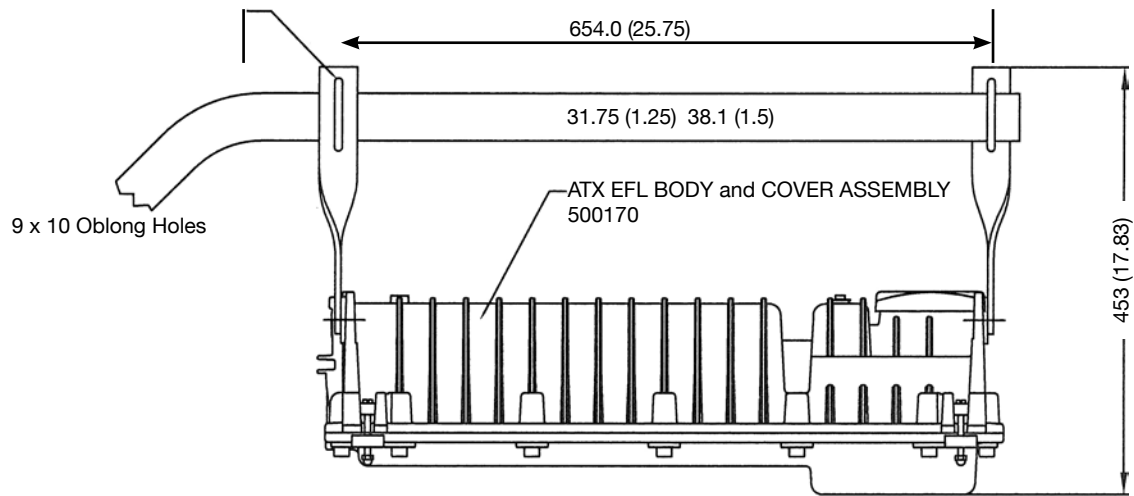
Explosionproof

NEC/CEC:
Class I, Zone 1 and 2
Ex de IIB T1/T2/T3
Class I, Zone 1 and 2
AEx de IIB T1/T2/T3
IP66 / 67

Dimensions in Millimeters (Inches)



Clamp Brackets For Tubing



EFL Series HID and Quartz Floodlights

Explosionproof

NEC/CEC:
 Class I, Zone 1 and 2
 Ex de IIB T1/T2/T3
 Class I, Zone 1 and 2
 AEx de IIB T1/T2/T3
 IP66 / 67

Photometric Data ①

Polar curves for a 1000 lm flux, according to NF C 71-120
 Luminaire symbol according to NF C 71-121

----- Longitudinal
 _____ Transverse

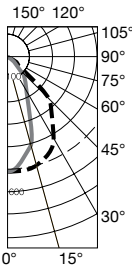
250W halide Narrow Beam

Efficiency 68.3%

NF C 71-121: 0,68B

CANDELA
 DISTRIBUTION

	0-180	90-270
0	505	505
5	515	499
10	512	469
15	501	403
20	476	312
25	453	248
30	427	190
35	394	146
40	368	117
45	290	97
50	160	12
55	51	7
60	34	4
65	15	4
70	6	4



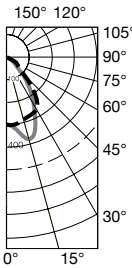
250W halide Wide Beam

Efficiency 67.9%

NF C 71-121: 0,68C

CANDELA
 DISTRIBUTION

	0-180	90-270
0	301	301
5	303	318
10	299	342
15	294	387
20	287	382
25	286	306
30	271	237
35	231	208
40	172	186
45	133	140
50	83	104
55	48	18
60	34	8
65	23	6
70	6	6



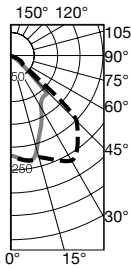
400W halide Narrow Beam

Efficiency 49.3%

NF C 71-121: 0,49C

CANDELA
 DISTRIBUTION

	0-180	90-270
0	217	217
5	210	219
10	218	231
15	223	205
20	238	193
25	255	148
30	266	132
35	263	130
40	244	116
45	201	104
50	136	37
55	85	15
60	51	8
65	28	6
70	5	4



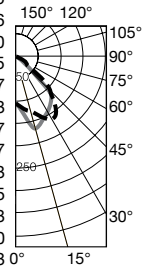
400W halide Wide Beam

Efficiency 46.7%

NF C 71-121: 0,46C

CANDELA
 DISTRIBUTION

	0-180	90-270
0	105	105
5	104	106
10	108	130
15	124	165
20	148	177
25	167	183
30	165	147
35	142	127
40	116	113
45	74	115
50	52	103
55	48	40
60	44	13
65	34	9
70	18	6



① 400 W MH: Efficiency rate lower than 250 W due to thermal deflector between glass and lamp, requested for T3.