

Hollow hex head (Exde) stopping plugs - PXU Series



Type PXU

Features

- International Ex approvals
- Available in brass, stainless steel and aluminium
- Metric and NPT threads available

Benefits

- Provides method of filling unused entries in equipment
- Maintains Ex certification
- Maintains IP integrity
- Lighter product due to hollow design

Materials

- Brass CZ121
- 316 stainless steel
- Aluminium

Threadforms

- Metric
- NPT

Technical specification

Code of Protection Categories

ATEX: II 2GD, Ex d IIC Gb, Ex e IIC Gb, Ex tb IIIC Db

IECEX: Ex d IIC Gb, Ex e IIC Gb, Ex tb IIIC Db

GOST: ExdeIICU, ExdeIIICU, ExeIIU

INMETRO: Ex de IIC Gb, Ex tb IIIC IP66/67 (brass and stainless steel)

NEPSI: Ex d II C Gb, Ex e II C Gb, DIP A21 Ta IP6X

Compliance Standards

ATEX: EN 60079-0, EN 60079-1, EN 60079-7, EN 60079-31

IECEX: IEC 60079-0, IEC 60079-7, IEC 60079-31

INMETRO: ABNT NBR IEC 60079-0, ABNT NBR IEC 60079-1, ABNT NBR IEC 60079-7, ABNT NBR IEC 60079-31

NEPSI: GB 3836.1-2010, GB 3836.2-2010, GB 3836.3-2010, GB 12476.1-2000

Certificate Details

ATEX: Sira 10ATEX1224X

IECEX: IECEX SIR 07.0009X

GOST: TC RUC-G B.ГБ06.B.00105

INMETRO: NCC 12.0764X

NEPSI: GYJ13.1311X

Temperature

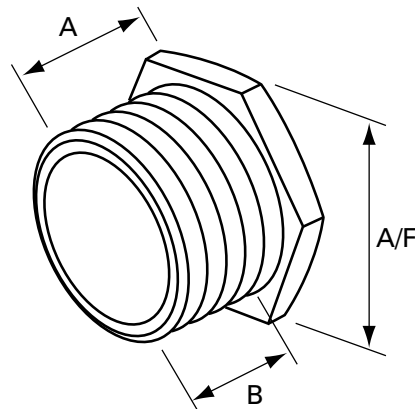
Temperature range: -50°C to +180°C

Ingress protection (IP):

Tested to IP68

Part number:

Please refer to page 10 for part numbering system



Dimensions of metric versions

Size	A/F	Overall length (A)	Thread length (B)
M16	19.00	21.00	17.00
M20	24.00	21.00	17.00
M25	28.00	21.00	17.00
M32	37.50	21.00	17.00
M40	47.00	21.50	17.00
M50	56.00	22.50	17.00
M63	70.00	24.00	17.00
M75	80.00	25.00	17.00