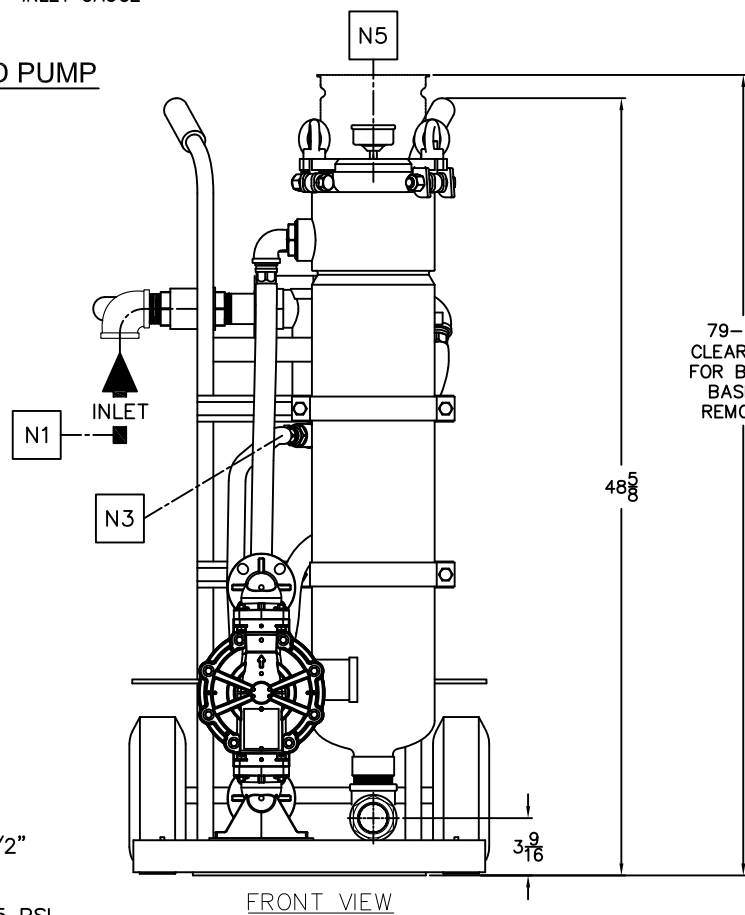


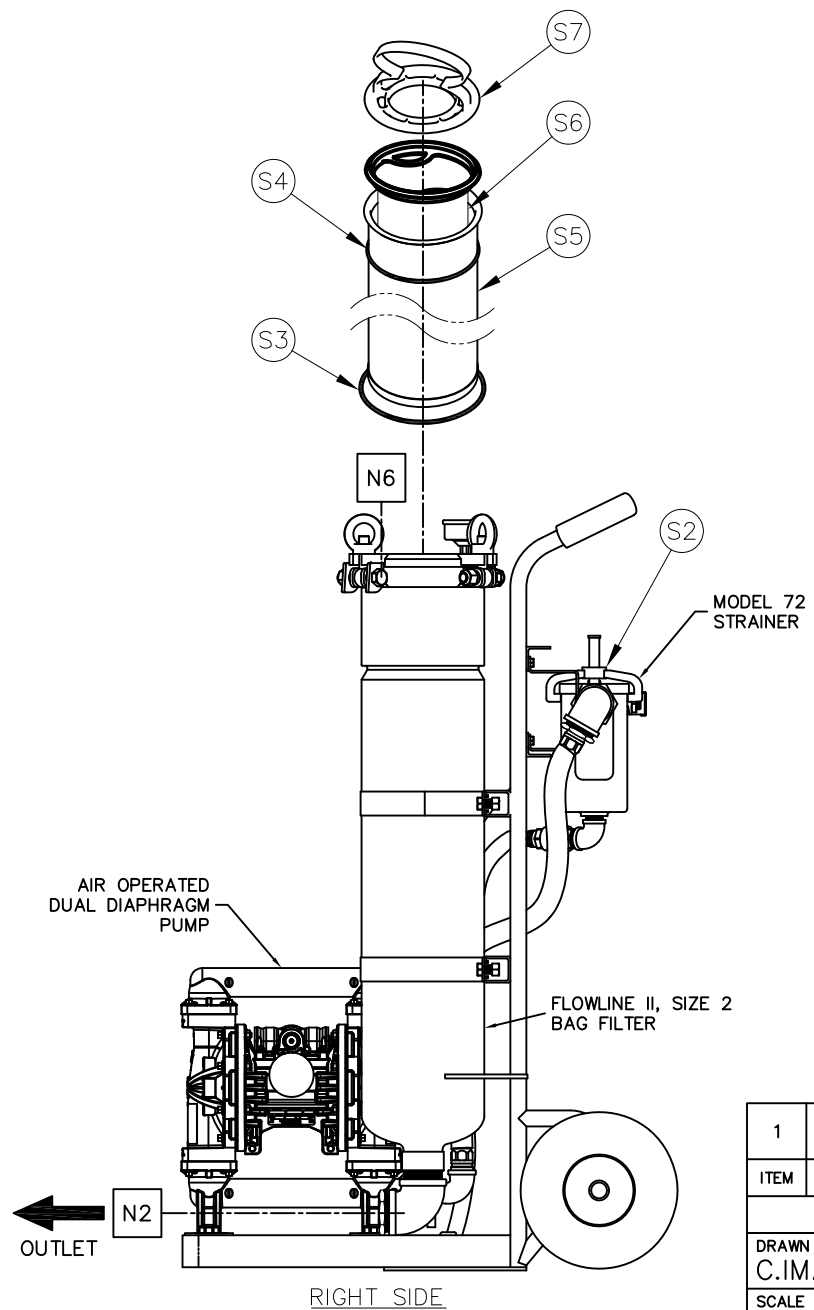
**AIR SUPPLY TO AIR POWERED PUMP
DETAIL**

REFER TO NOTES FOR DETAILS



FRONT VIEW

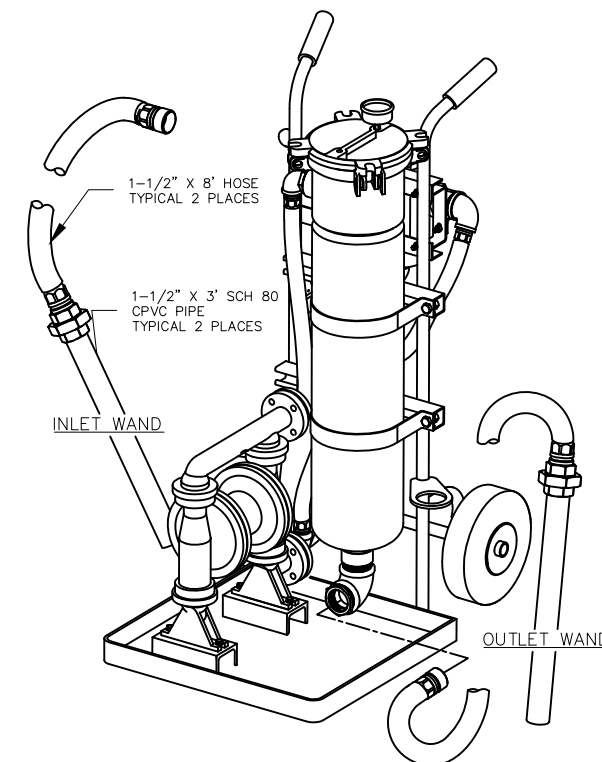
79-5/8
CLEARANCE
FOR BAG &
BASKET
REMOVAL



RIGHT SIDE

NOZZLE SCHEDULE					
MARK	SIZE	TYPE	RATING	NECK	SERVICE
N1	1-1/2"	NPTI	-	-	INLET
N2	1-1/2"	NPTI	-	-	OUTLET
N3	3/4"	NPTI	-	-	DRAIN
N4	1/2"	NPTI	-	-	AIR INLET TO AIR OPERATED DIAPHRAGM PUMP
N5	1/4"	NPTI	-	-	PRESSURE GAUGE AT FILTER
N6	1/4"	NPTI	-	-	PLUGGED PORT IN LID

REVISIONS				
REV	DESCRIPTION	BY	ECO	DATE
A	SALES DRAWING	CLI	----	16JAN2013
B	UPDATED SPARE PARTS	CLI	0082337	1MAR2013



FILTER CART SHOWN WITH
OPTIONAL INLET/OUTLET
WANDS

SPARE PARTS LIST

ITEM	QTY	UM	PART NUMBER	DRAWING NUMBER	DESCRIPTION
S7	1	EA	RPC0000012	F3F000003-BA	HOLD DOWN, LCSBV
S6	1	EA	VARIES	F3F000003-BA	BAG FILTER MEDIA
S5	1	EA	WEE0000009	F3F000003-BA	RESTRAINER BASKET, #2 SIZE 316 S.S.
S4	1	EA	RPC0000004	F3F000003-BA	O-RING, RESTRAINER BASKET, BUNA-N
S3	1	EA	X811445	F3F000003-BA	O-RING, LID SEAL FLOWLINE II, BUNA-N
S2	1	EA	ST262Z5B	F3F000003-BA	O-RING, LID #72 STRAINER, BUNA-N

NOTES:

1. INLET/OUTLET CONNECTIONS ARE 1-1/2" NPTI 316 STAINLESS STEEL FITTINGS.
2. MAWP: 125 PSI @ 150°F (8.6 BAR @ 66°C)
MDMT: 32°F @ 125 PSI (0°C @ 8.6 BAR)
3. AIR OPERATING RANGE: 20 - 125 PSI (1.4 - 8.6 BAR)
4. RECOMMENDED OPERATING AIR PRESSURE: 30 PSI (2.1 BAR)
5. UNIT WEIGHT (APPROX.):
EMPTY: 229lbs (104 kg)
FULL (WATER): 287lbs (130.2 kg)

ITEM	QTY	UM	PART NUMBER	DRAWING NUMBER	DESCRIPTION
1	1	EA	F3F000003-BA	F3F000003-BA	INDUSTRIAL FILTER CART, 316 ASSEMBLY DRAWING

BILL OF MATERIALS

DRAWN BY C.IMANSE SCALE AS DRAWN RESTRICTION RESTRICTED SHEET 1 OF 1 PROJECTION THIRD ANGLE	EATON FILTRATION, LLC DESIGN CENTER ISELIN, NEW JERSEY, USA • PORTAGE, MICHIGAN, USA		
TITLE INDUSTRIAL FILTER CART 316SS W/BUNA-N ELASTOMERS			
DATE 16JAN2013	SIZE B	DWG FILENAME F3F000003-B[1]	REV B

CUSTOMER INFO	
NAME	
P.O. NO.	
TAG NO.	
S.O. NO.	
PART NO.	F3F000003-B

EATON CORPORATION - CONFIDENTIAL AND PROPRIETARY NOTICE TO PERSONS RECEIVING THIS DRAWING AND/OR TECHNICAL INFORMATION
THIS DOCUMENT, INCLUDING THE DRAWING AND INFORMATION CONTAINED THEREON IS CONFIDENTIAL AND IS THE EXCLUSIVE PROPERTY OF EATON AT ANY TIME. BY TAKING THE
POSSESSION OF THIS DOCUMENT THE RECIPIENT ACKNOWLEDGES AND AGREES THAT THIS DOCUMENT CANNOT BE USED IN ANY MANNER ADVERSE TO THE INTEREST OF EATON AND
THAT NO PORTION OF THIS DRAWING MAY BE COPIED OR OTHERWISE REPRODUCED WITHOUT THE PRIOR WRITTEN CONSENT OF EATON, IN THE CASE OF CONFLICTING CONTRACTUAL
PROVISIONS, THIS NOTICE SHALL GOVERN THE STATUS OF THIS DOCUMENT.
2014 EATON CORPORATION - ALL RIGHTS RESERVED.